

4

3

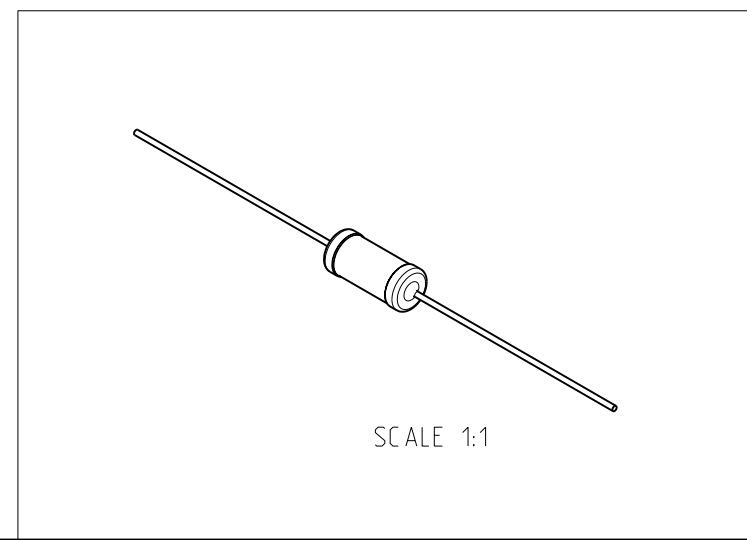
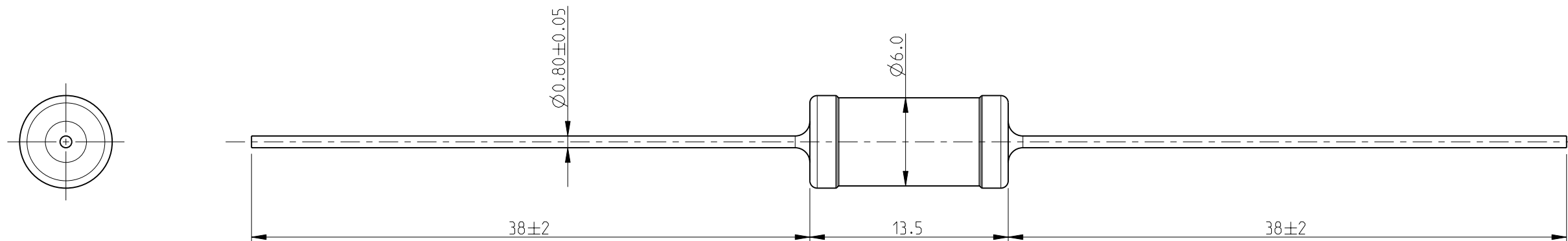
2


1

THIS DRAWING IS UNPUBLISHED. RELEASED FOR PUBLICATION 2008
 © COPYRIGHT 2008 BY - ALL RIGHTS RESERVED.

LOC	DIST	REVISIONS			
P	LTR	DESCRIPTION	DATE	DWN	APVD
E	B	BA1	REVISED PER ECO-11-005150	29MAR2011	RK HMR

1. PACKAGING: AMMO PACKED
2. FOR FURTHER INFORMATION SEE DATA SHEET FOR SERIES ER/ERV- HIGH POWER RESISTORS



THIS DRAWING IS A CONTROLLED DOCUMENT.		DWN	28-JUL-09		 TE Connectivity HIGH POWER RESISTORS SERIES ER74									
DIMENSIONS: mm		CHK	28-JUL-09											
TOLERANCES UNLESS OTHERWISE SPECIFIED:		APVD	28-JUL-09											
0 PLC ± 0.2 1 PLC ± 0.1 2 PLC ± - 3 PLC ± - 4 PLC ± - ANGLES ± - ± 5°		PRODUCT SPEC	-											
MATERIAL -		FINISH	-		APPLICATION SPEC -									
		WEIGHT	-		RESTRICTED TO -									
CUSTOMER DRAWING			SIZE	A3	CAGE CODE	00779	DRAWING NO	1623746	SCALE	3:1	SHEET	1 OF 1	REV	BA1

Mouser Electronics

Authorized Distributor

Click to View Pricing, Inventory, Delivery & Lifecycle Information:

[TE Connectivity:](#)

[ER741K2JT](#)