

FLQ SERIES MIDGET (10x38mm) FUSES

500 Vac • Time-Delay • 1/10-30 A



Description

The FLQ series 500 Vac time-delay fuses provide excellent supplemental protection of control power transformers, solenoids, and circuits with high inrush currents.

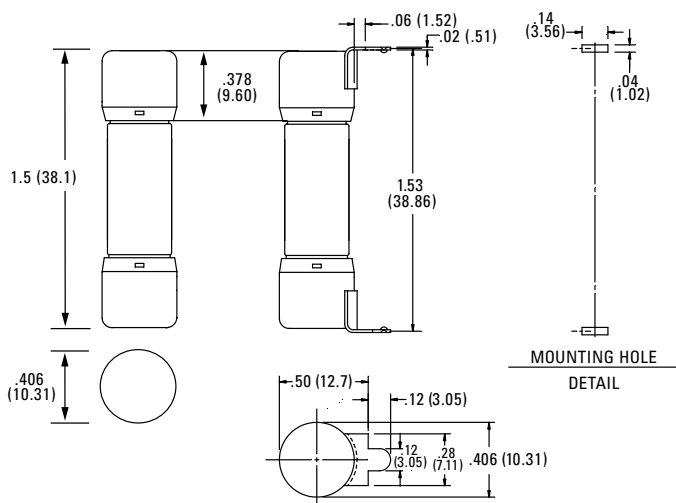
Features/Benefits

- Ideal for 480 Vac systems
- Time-Delay

Applications

- Control power transformers
- Solenoids
- Circuits with high inrush current

Dimensions Inches (mm)



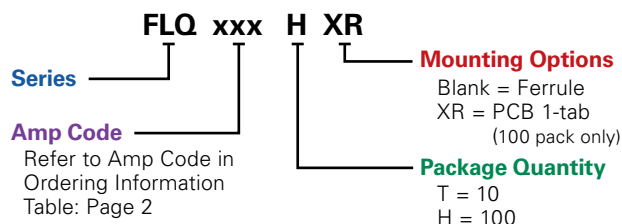
Specifications

Voltage Rating	AC: 500 Vac or less DC: 300 V
Amperage Rating	1/10 – 30 A
Interrupting Rating	AC: 10 kA rms symmetrical DC: 10 kA self-certified
Approvals	AC: UL Listed (File: E10480) CSA Certified (File: LR29862) DC: Littelfuse self-certified
Environmental	RoHS Compliant
Material:	Body: Paper: 1/10A-5A Melamine 5-6/10A-30A Caps: Copper Alloy (Nickel plated)
Country of Origin	Mexico

Ordering Information

AMPERAGE RATINGS						
1/10	3/10	1 1/8	2 1/2	5	9	25
1/8	4/10	1 1/4	3	5 8/10	10	30
15/100	1/2	1 1/2	3 2/10	6	12	—
3/16	6/10	1 6/10	3 1/2	6 1/4	14	—
2/10	8/10	2	4	7	15	—
1/4	1	2 1/4	4 1/2	8	20	—

Part Numbering System



SERIES	AMP	PACKAGE QUANTITY	MOUNTING METHOD	CATALOG NUMBER	ORDERING NUMBER
FLQ	1/10	10	FERRULE	FLQ.100	OFLQ.100T
FLQ	2	100	FERRULE	FLQ005	OFLQ002.H
FLQ	15	100	PCB 1-TAB	FLQ015R	OFLQ015.HXR

Note: additional ordering information on page 2

Recommended Fuse Holders

Littelfuse LFPSM Dead-Front Series
Littelfuse L60030M Open-Face Series

Web Resources

Download technical information: littelfuse.com/flq

FLQ SERIES MIDGET (10x38mm) FUSES

Ordering Information

Ferrule Version

AMP RATING	AMP CODE	VOLTAGE (VAC)	INTERRUPTING RATING (kA)		CATALOG NUMBER	ORDERING NUMBER	UPC	AGENCY APPROVALS	
			AC	DC				UL	CSA
1/10	.100	500	10	10	FLQ.100	OFLQ.100T	07945816011	•	•
1/8	.125	500	10	10	FLQ.125	OFLQ.125T	07945816012	•	•
15/100	.150	500	10	10	FLQ.150	OFLQ.150T	07945816013	•	•
3/16	.187	500	10	10	FLQ.187	OFLQ.187T	07945816017	•	•
2/10	.200	500	10	10	FLQ.200	OFLQ.200T	07945816018	•	•
1/4	.250	500	10	10	FLQ.250	OFLQ.250T	07945816019	•	•
3/10	.300	500	10	10	FLQ.300	OFLQ.300T	07945800089	•	•
4/10	.400	500	10	10	FLQ.400	OFLQ.400T	07945816023	•	•
1/2	.500	500	10	10	FLQ.500	OFLQ.500T	07945816024	•	•
6/10	.600	500	10	10	FLQ.600	OFLQ.600T	07945800090	•	•
8/10	.800	500	10	10	FLQ.800	OFLQ.800T	07945800091	•	•
1	001.	500	10	10	FLQ001.	OFLQ001.T	07945816031	•	•
1 1/8	1.12	500	10	10	FLQ1.12	OFLQ1.12T	07945816032	•	•
1 1/4	1.25	500	10	10	FLQ1.25	OFLQ1.25T	07945816034	•	•
1 1/2	01.5	500	10	10	FLQ01.5	OFLQ01.5T	07945816037	•	•
1 5/10	01.6	500	10	10	FLQ01.6	OFLQ01.6T	07945816038	•	•
2	002.	500	10	10	FLQ002.	OFLQ002.T	07945816041	•	•
2 1/4	2.25	500	10	10	FLQ2.25	OFLQ2.25T	07945816042	•	•
2 1/2	02.5	500	10	10	FLQ02.5	OFLQ02.5T	07945816043	•	•
3	003.	500	10	10	FLQ003.	OFLQ003.T	07945816047	•	•
3 2/10	03.2	500	10	10	FLQ03.2	OFLQ03.2T	07945816049	•	•
3 1/2	03.5	500	10	10	FLQ03.5	OFLQ03.5T	07945816051	•	•
4	004.	500	10	10	FLQ004.	OFLQ004.T	07945816053	•	•
4 1/2	04.5	500	10	10	FLQ04.5	OFLQ04.5T	07945816054	•	•
5	005.	500	10	10	FLQ005	OFLQ005.T	07945816055	•	•
5 5/10	05.6	500	10	10	FLQ05.6	OFLQ05.6T	07945816056	•	•
6	006.	500	10	10	FLQ006	OFLQ006.T	07945816058	•	•
6 1/4	6.25	500	10	10	FLQ6.25	OFLQ6.25T	07945816059	•	•
7	007.	500	10	10	FLQ007	OFLQ007.T	07945816061	•	•
8	008.	500	10	10	FLQ008	OFLQ008.T	07945816063	•	•
9	009.	500	10	10	FLQ009	OFLQ009.T	07945816064	•	•
10	010.	500	10	10	FLQ010	OFLQ010.T	07945816065	•	•
12	012.	500	10	10	FLQ012	OFLQ012.T	07945816066	•	•
14	014.	500	10	10	FLQ014	OFLQ014.T	07945816067	•	•
15	015.	500	10	10	FLQ015	OFLQ015.T	07945816068	•	•
20	020.	500	10	10	FLQ020	OFLQ020.T	07945816071	•	•
25	025.	500	10	10	FLQ025	OFLQ025.T	07945816072	•	•
30	030.	500	10	10	FLQ030	OFLQ030.T	07945816073	•	•

Ordering Information
PCB Mount 1-Tab Version

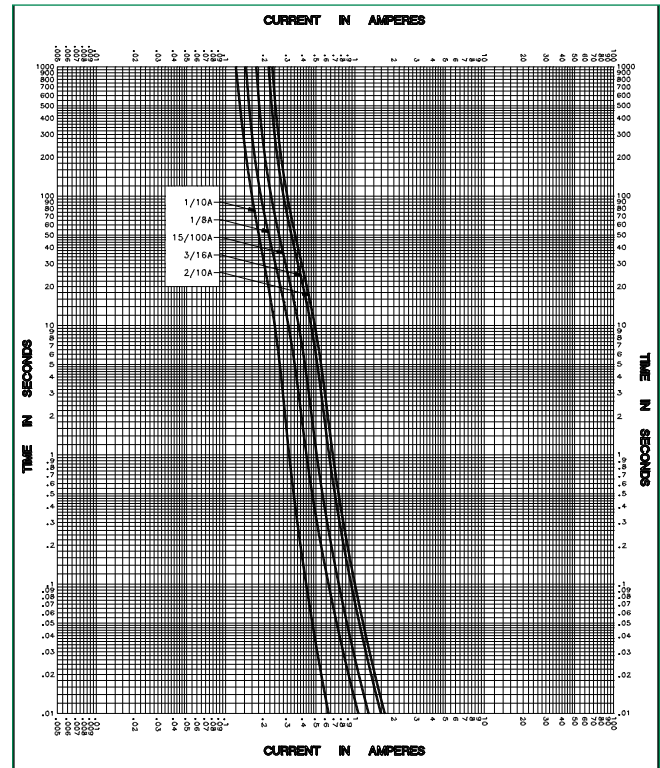
AMP RATING	AMP CODE	VOLTAGE (VAC)	INTERRUPTING RATING (kA)		CATALOG NUMBER	ORDERING NUMBER	UPC	AGENCY APPROVALS	
			AC	DC				UR	CE
15/100	.150	500	10	10	FLQ.150R	OFLQ.150HXR	07945894950	•	•
3/16	.187	500	10	10	FLQ.187R	OFLQ.187HXR	07945894951	•	•
2/10	.200	500	10	10	FLQ.200R	OFLQ.200HXR	07945894952	•	•
1/4	.250	500	10	10	FLQ.250R	OFLQ.250HXR	07945894953	•	•
3/10	.300	500	10	10	FLQ.300R	OFLQ.300HXR	07945894954	•	•
4/10	.400	500	10	10	FLQ.400R	OFLQ.400HXR	07945894955	•	•
1/2	.500	500	10	10	FLQ.500R	OFLQ.500HXR	07945894956	•	•
6/10	.600	500	10	10	FLQ.600R	OFLQ.600HXR	07945894957	•	•
8/10	.800	500	10	10	FLQ.800R	OFLQ.800HXR	07945894958	•	•
1	001.	500	10	10	FLQ001R	OFLQ001.HXR	07945894959	•	•
1 1/8	1.12	500	10	10	FLQ1.12R	OFLQ1.12HXR	07945894981	•	•
1 1/4	1.25	500	10	10	FLQ1.25R	OFLQ1.25HXR	07945894982	•	•
1 1/2	01.5	500	10	10	FLQ01.5R	OFLQ01.5HXR	07945894967	•	•
1 5/10	01.6	500	10	10	FLQ01.6R	OFLQ01.6HXR	07945894968	•	•
2	002.	500	10	10	FLQ002R	OFLQ002.HXR	07945894960	•	•
2 1/4	2.25	500	10	10	FLQ2.25R	OFLQ2.25HXR	07945894983	•	•
2 1/2	02.5	500	10	10	FLQ02.5R	OFLQ02.5HXR	07945894973	•	•
3	003.	500	10	10	FLQ003R	OFLQ003.HXR	07945894961	•	•
3 2/10	03.2	500	10	10	FLQ03.2R	OFLQ03.2HXR	07945894976	•	•
3 1/2	03.5	500	10	10	FLQ03.5R	OFLQ03.5HXR	07945894977	•	•
4	004.	500	10	10	FLQ004R	OFLQ004.HXR	07945894962	•	•
4 1/2	04.5	500	10	10	FLQ04.5R	OFLQ04.5HXR	07945894979	•	•
5	005.	500	10	10	FLQ005R	OFLQ005.HXR	07945894963	•	•
5 8/10	05.6	500	10	10	FLQ05.6R	OFLQ05.6HXR	07945894980	•	•
6 1/4	6.25	500	10	10	FLQ6.25R	OFLQ6.25HXR	07945894984	•	•
7	007.	500	10	10	FLQ007R	OFLQ007.HXR	07945894964	•	•
8	008.	500	10	10	FLQ008R	OFLQ008.HXR	07945894965	•	•
9	009.	500	10	10	FLQ009R	OFLQ009.HXR	07945894966	•	•
10	010.	500	10	10	FLQ010R	OFLQ010.HXR	07945894969	•	•
12	012.	500	10	10	FLQ012R	OFLQ012.HXR	07945807768	•	•
14	014.	500	10	10	FLQ014R	OFLQ014.HXR	07945894971	•	•
15	015.	500	10	10	FLQ015R	OFLQ015.HXR	07945894972	•	•
20	020.	500	10	10	FLQ020R	OFLQ020.HXR	07945894974	•	•
25	025.	500	10	10	FLQ025R	OFLQ025.HXR	07945894975	•	•
30	030.	500	10	10	FLQ030R	OFLQ030.HXR	07945894978	•	•

FLQ SERIES MIDGET (10x38mm) FUSES

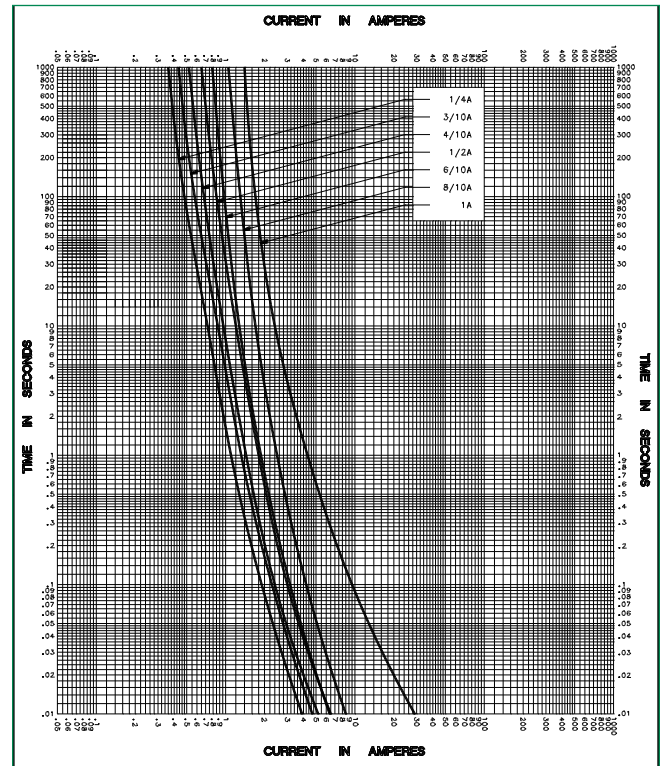
Temperature Derating Curve (Temperature of Air Immediately Surrounding Fuse)



Time Current Curves



Time Current Curves



FLQ SERIES MIDGET (10x38mm) FUSES

Time Current Curves



Mouser Electronics

Authorized Distributor

Click to View Pricing, Inventory, Delivery & Lifecycle Information:

Littelfuse:

[0FLQ02.5T](#) [0FLQ003.T](#) [0FLQ025.T](#) [0FLQ.187T](#) [0FLQ.300T](#) [0FLQ005.T](#) [0FLQ6.25T](#) [0FLQ03.5T](#) [0FLQ007.T](#)
[0FLQ002.T](#) [0FLQ006.T](#) [0FLQ.400T](#) [0FLQ.600T](#) [0FLQ.100T](#) [0FLQ.150T](#) [0FLQ012.T](#) [0FLQ001.T](#) [0FLQ01.5T](#)
[0FLQ015.T](#) [FLQ.600](#) [0FLQ.200T](#) [0FLQ020.T](#) [0FLQ008.T](#) [FLQ.250](#) [0FLQ01.6T](#) [0FLQ009.T](#) [0FLQ1.25T](#)
[0FLQ05.6T](#) [0FLQ04.5T](#) [0FLQ2.25T](#) [0FLQ.125T](#) [0FLQ010.T](#) [0FLQ030.T](#) [0FLQ1.12T](#) [0FLQ.250T](#) [0FLQ03.2T](#)
[0FLQ014.T](#) [0FLQ004.T](#) [0FLQ.500T](#) [0FLQ.800T](#) [0FLQ01.6HXR](#) [0FLQ008.HXR](#) [0FLQ.400HXR](#) [0FLQ04.5HXR](#)
[0FLQ.187HXR](#) [0FLQ.800HXR](#) [0FLQ03.2HXR](#) [0FLQ1.25HXR](#) [0FLQ003.HXR](#) [0FLQ.150HXR](#) [0FLQ009.HXR](#)
[0FLQ.600HXR](#) [0FLQ005.HXR](#) [0FLQ05.6HXR](#) [0FLQ002.HXR](#) [0FLQ020.HXR](#) [0FLQ03.5HXR](#) [0FLQ2.25HXR](#)
[0FLQ012.HXR](#) [0FLQ.250HXR](#) [0FLQ.500HXR](#) [0FLQ010.HXR](#) [0FLQ02.5HXR](#) [0FLQ.200HXR](#) [0FLQ015.HXR](#)
[0FLQ025.HXR](#) [0FLQ.300HXR](#) [0FLQ01.5HXR](#) [0FLQ014.HXR](#) [0FLQ6.25HXR](#) [0FLQ007.HXR](#) [0FLQ030.HXR](#)
[0FLQ1.12HXR](#) [0FLQ001.HXR](#) [0FLQ004.HXR](#) [0FLQ.500H](#) [0FLQ002.H](#) [0FLQ005.H](#) [0FLQ006.H](#) [0FLQ010.H](#)
[0FLQ015.H](#) [0FLQ02.5H](#) [0FLQ03.2H](#)