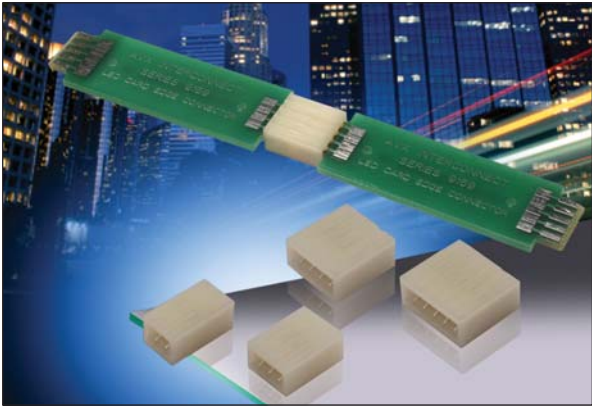


# One Piece Card Edge

## Series 9159



The 9159 series of Board-to-Board interconnect system allows two PCB's to be mated end-to-end creating strips of LED lighting. Designed specifically for the unique Solid State Lighting (SSL) market requiring coplanar (horizontal-to-horizontal) PCB mating. The 1-Piece Card Edge connector was developed to provide a reliable, low cost and simple means of connecting multiple PCB's together. The single stamped contact has dual contact beams to guarantee a high contact force on standard 1.6mm PCB's. These connectors are available in 2 through 5 positions and are on 2.0mm pitch centers to provide a 3 amp continuous rating. Available in both black and white to meet the application requirements.

### APPLICATIONS

- Coplanar PCB mating in SSL products
- LED linear lighting strips

### FEATURES AND BENEFITS

- Dual contacts provide positive contact force for enhanced reliability
- Mates with standard  $1.6 \pm 0.15$ mm PCB on 2.0mm pad pitch
- 3 amp current rating for high current applications
- Available in white; supports SSL market preferences

### ELECTRICAL

- Current Rating; 3 Amps / Contact
- Voltage Rating; 250 VAC

### ENVIRONMENTAL

- Operating Temperature:  $-55^{\circ}\text{C}$  to  $+125^{\circ}\text{C}$

### MECHANICAL

- Insulator Material: Nylon 46: UL94HB
- Contact Material: Phosphor Bronze
- Plating: Tin over Nickel
- Durability: 5 Cycles

### HOW TO ORDER

**00**  
Prefix

**9159**  
Series

**XXX**  
Number of Ways

Code	No of Ways	Details
002	2	Page 40
003	3	Page 41
004	4	Page 42
005	5	Page 43

**0**  
Single Part PCB Strip Connector

**01**  
PCB Thickness  
01 =  $1.60 \pm 0.15$

**0**  
Insulator Color

Code	Color	Application
0	Black	Industrial
1	White	Lighting

**06**  
Plating Option  
06 = Pure Tin all over

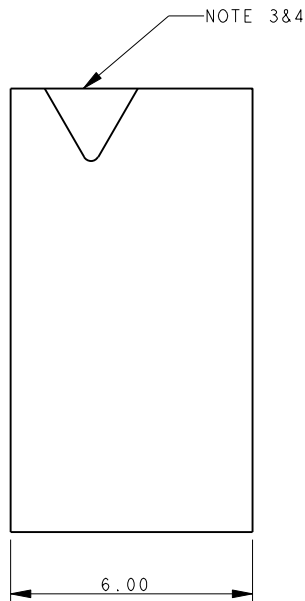
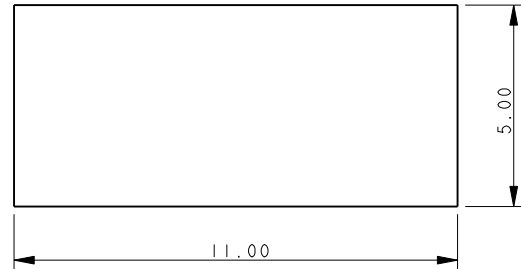
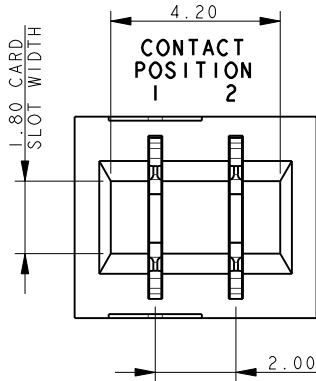


# One Piece Card Edge

Series 9159



## 2 WAY SINGLE PART PCB STRIP CONNECTOR

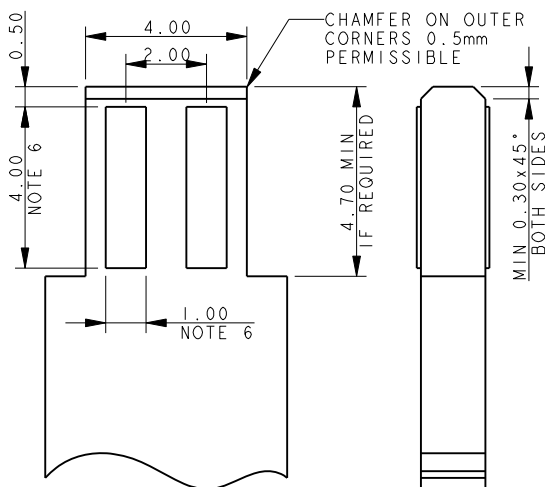


NOTES:

1. FOR MORE INFORMATION REFER TO PRODUCT SPEC 201-01-118.
2. DIMENSIONS ARE REFERENCE DIMENSIONS UNLESS TOLERANCED.
3. ARROW TO INDICATE CONTACT POSITION 1.
4. INSULATOR MATERIAL: NYLON 46, UL94 HB, COLOR SEE PAGE 39.
5. CONTACT MATERIAL: COPPER ALLOY, TIN PLATED ALL OVER.
6. PCB PAD, TIN PLATED.

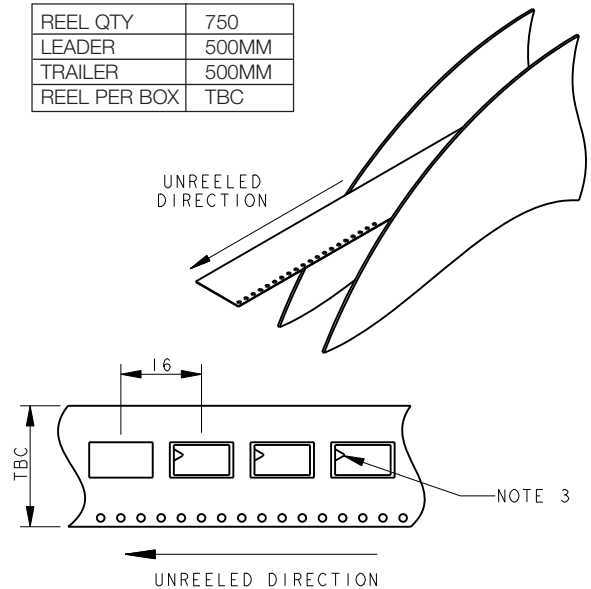
## 2 WAY PCB BOARD LAYOUT

THICKNESS 1.60 ± 0.15



## PACKING DETAILS

REEL QTY	750
LEADER	500MM
TRAILER	500MM
REEL PER BOX	TBC

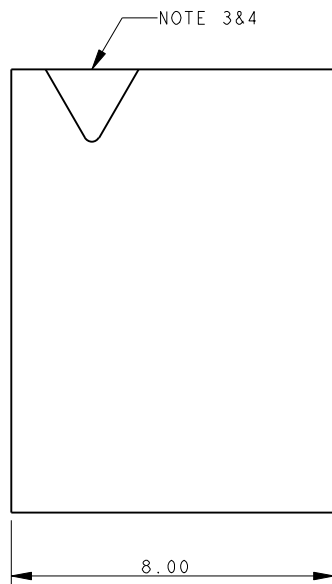
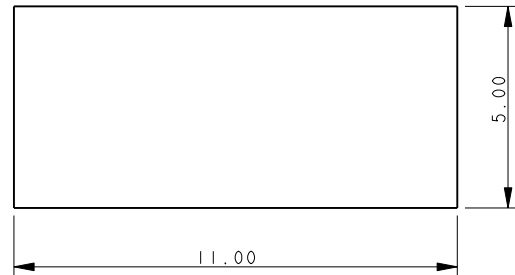
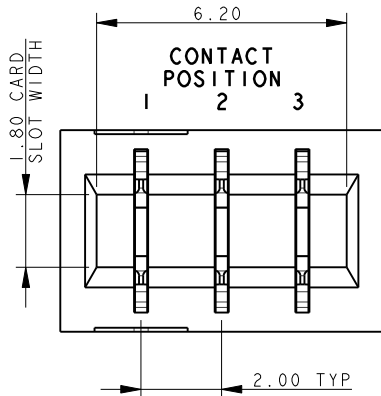


# One Piece Card Edge



## Series 9159

### 3 WAY SINGLE PART PCB STRIP CONNECTOR

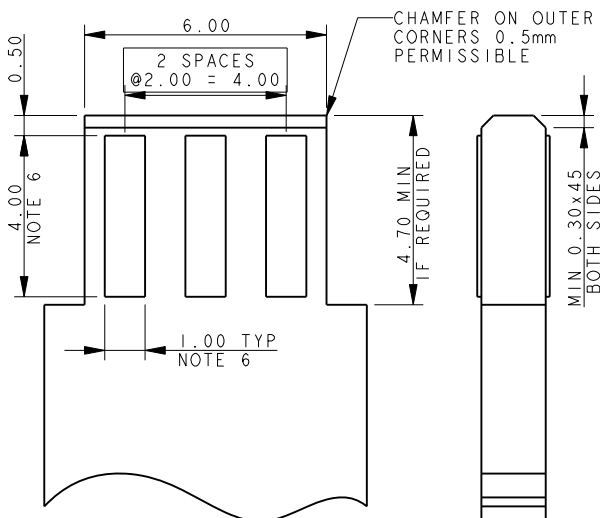


#### NOTES:

1. FOR MORE INFORMATION REFER TO PRODUCT SPEC 201-01-118.
2. DIMENSIONS ARE REFERENCE DIMENSIONS UNLESS TOLERANCED.
3. ARROW TO INDICATE CONTACT POSITION 1.
4. INSULATOR MATERIAL: NYLON 46, UL94 HB, COLOR SEE PAGE 39.
5. CONTACT MATERIAL: COPPER ALLOY, TIN PLATED ALL OVER.
6. PCB PAD, TIN PLATED.

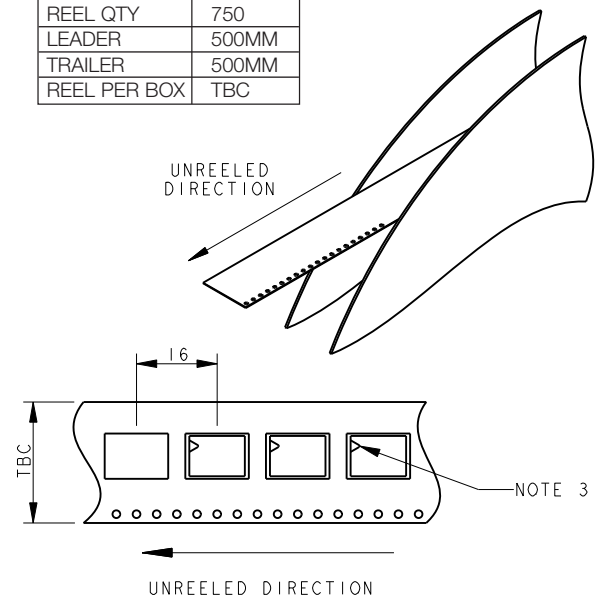
### 3 WAY PCB BOARD LAYOUT

THICKNESS  $1.60 \pm 0.15$



### PACKING DETAILS

REEL QTY	750
LEADER	500MM
TRAILER	500MM
REEL PER BOX	TBC

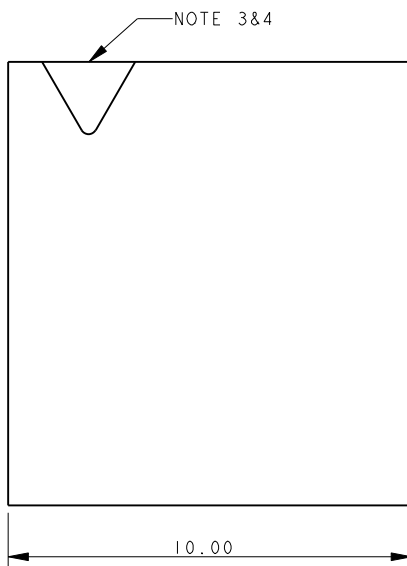
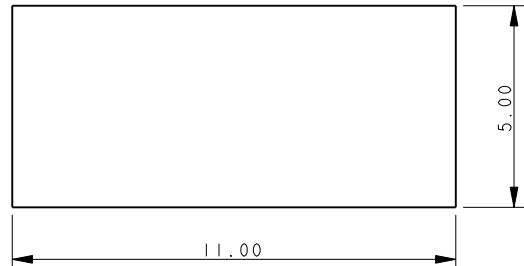
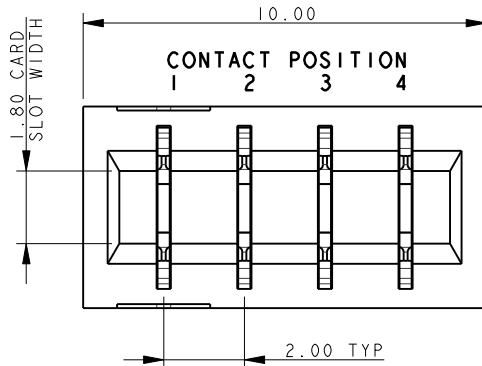


# One Piece Card Edge



## Series 9159

### 4 WAY SINGLE PART PCB STRIP CONNECTOR

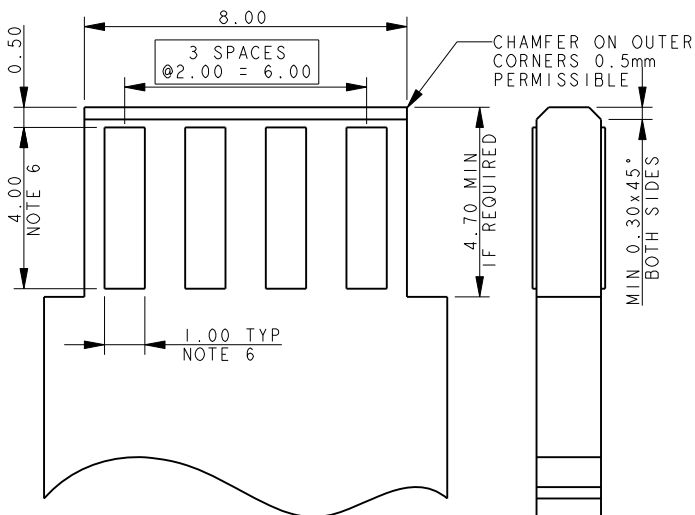


#### NOTES:

1. FOR MORE INFORMATION REFER TO PRODUCT SPEC 201-01-118.
2. DIMENSIONS ARE REFERENCE DIMENSIONS UNLESS TOLERANCED.
3. ARROW TO INDICATE CONTACT POSITION 1.
4. INSULATOR MATERIAL: NYLON 46, UL94 HB, COLOR SEE PAGE 39.
5. CONTACT MATERIAL: COPPER ALLOY, TIN PLATED ALL OVER.
6. PCB PAD, TIN PLATED.

### 4 WAY PCB BOARD LAYOUT

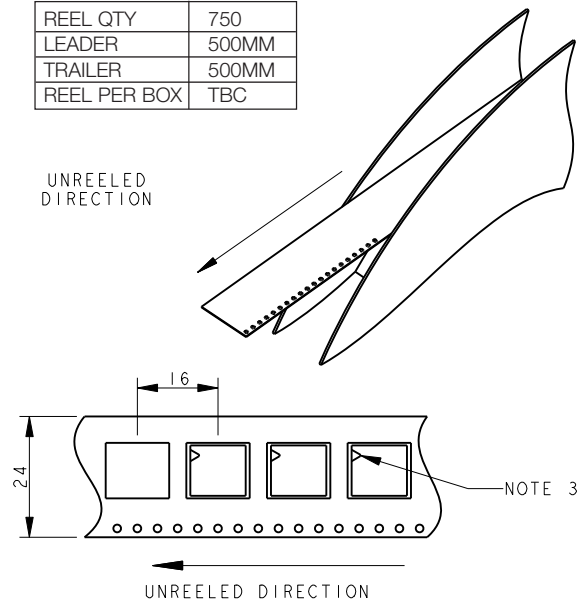
THICKNESS  $1.60 \pm 0.15$



### PACKING DETAILS

REEL QTY	750
LEADER	500MM
TRAILER	500MM
REEL PER BOX	TBC

UNREELED DIRECTION

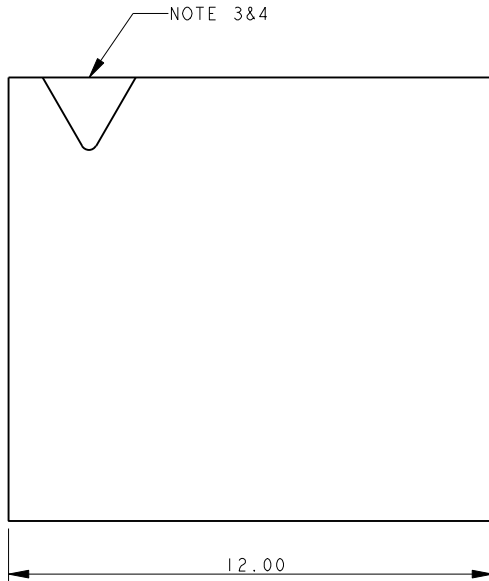
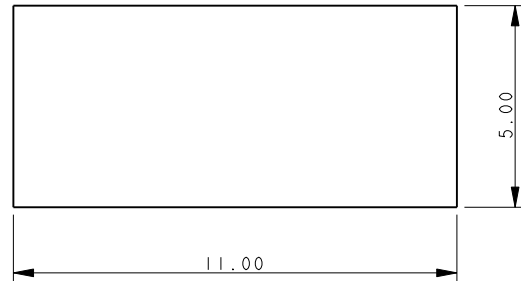
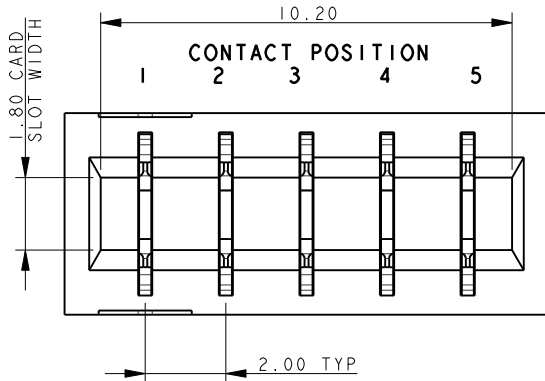


# One Piece Card Edge



## Series 9159

### 5 WAY SINGLE PART PCB STRIP CONNECTOR

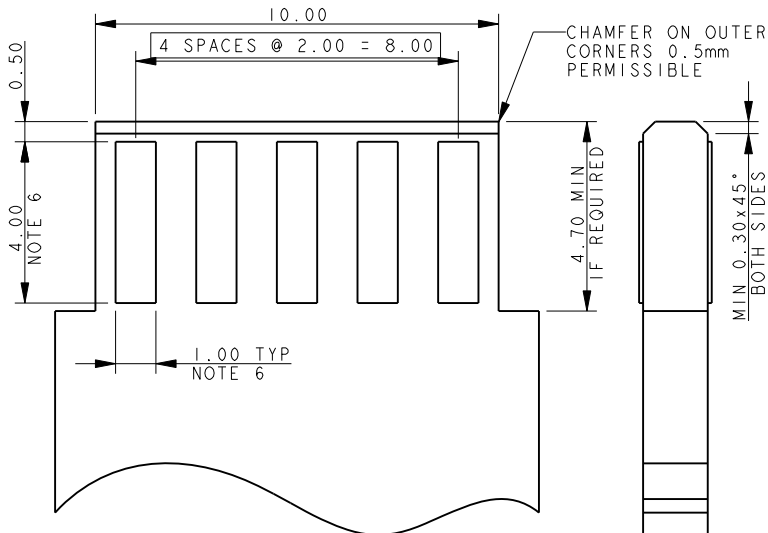


#### NOTES:

1. FOR MORE INFORMATION REFER TO PRODUCT SPEC 201-01-118.
2. DIMENSIONS ARE REFERENCE DIMENSIONS UNLESS TOLERANCED.
3. ARROW TO INDICATE CONTACT POSITION 1.
4. INSULATOR MATERIAL: NYLON 46, UL94 HB, COLOR SEE PAGE 39.
5. CONTACT MATERIAL: COPPER ALLOY, TIN PLATED ALL OVER.
6. PCB PAD, TIN PLATED.

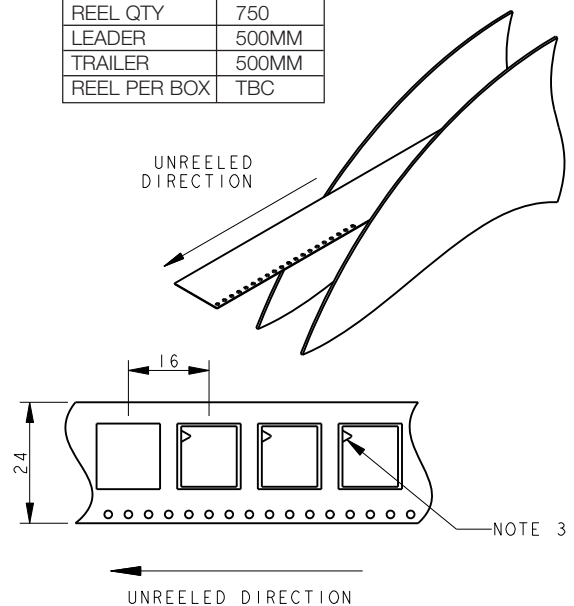
### 5 WAY PCB BOARD LAYOUT

THICKNESS 1.60 ± 0.15



### PACKING DETAILS

REEL QTY	750
LEADER	500MM
TRAILER	500MM
REEL PER BOX	TBC



# Mouser Electronics

Authorized Distributor

Click to View Pricing, Inventory, Delivery & Lifecycle Information:

[AVX:](#)

[009159003001106](#) [009159004001106](#) [009159002001106](#) [009159005001106](#) [009159002001006](#)  
[009159003001006](#) [009159004001006](#) [009159005001006](#)