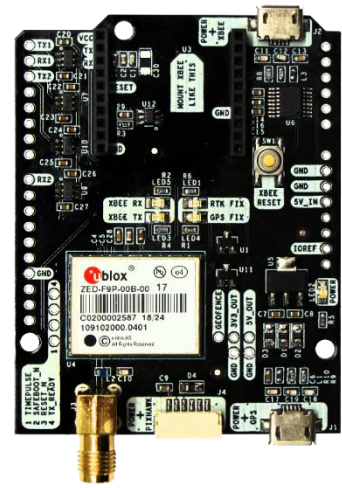


# simpleRTK2B

**Standalone application board to evaluate multiband GNSS technology including RTK functionality**

**SKU: AS-RTK2B-F9P-L1L2-NH-02**



## Key features

- Centimeter level precision
  - <1cm with a base station up to 35km
  - <1cm with NTRIP up to 35km
  - <4cm with SSR corrections (PPP-RTK)
  - <1.5m in standalone mode
  - <0.9m standalone with SBAS coverage
- Based on u-blox ZED-F9P module
- Fully compatible with Arduino, STM32 Nucleo boards and Pixhawk autopilots
- Multiple radio link options
- Configuration flexibility: standalone, standalone with NTRIP, base-rover, base-multi rover, RTK moving base
- RAW GNSS measurements

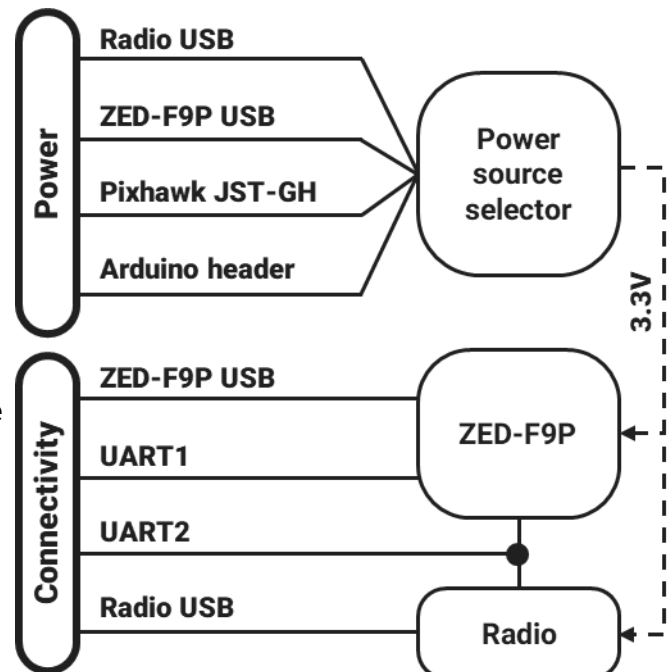
## Mechanical

- Arduino UNO form factor 69x53mm
- 19.5g (without radio)
- Compatible with Arduino UNO headers
- 3xM3 holes (Arduino UNO compatible)
- Supports all radio modules via 2mm 10pin headers

## Electrical

- Power consumption: 80mA @ 5V
- Active antenna power supply at 3V up to 75mA
- Interfaces: USB, UART(2)
- Timepulse output, Time sync input, Geofence output
- XBee socket up to 500mA @ 3V
- Multi constellation
  - GPS: L1C/A L2C
  - GLONASS: L1OF L2OF
  - Galileo: E1-B/C E5b
  - BeiDou: B1I B2I

## Functional schematic diagram



# Mouser Electronics

Authorized Distributor

Click to View Pricing, Inventory, Delivery & Lifecycle Information:

[ArduSimple:](#)

[AS-RTK2B-F9P-L1L2-NH-02](#)