

CERAMIC SURFACE MOUNT MICROPROCESSOR CRYSTAL



7.0 x 5.0 x 1.3 mm

ABMM



FEATURES:

- Suitable for RoHS reflow
- Low height 1.3 mm max
- AT-strip cut offers a tight tolerance & stability

APPLICATIONS:

- Computers, Modems, Microprocessors
- Communication, Test equipment
- PCMCIA

STANDARD SPECIFICATIONS:

PARAMETERS	
ABRACON P/N	ABMM
Frequency Range	6.0 MHz to 125 MHz
Operation Mode	AT-cut 6.0 MHz ~ 33.0 MHz (Fundamental: Standard) 33.01 MHz - 125 MHz (Third-Overtone: Standard) 33.01 MHz ~ 50.0 MHz (Fundamental: Please specify. See options)
Operating Temperature	- 10°C to + 60°C (see options)
Storage Temperature	- 40°C to + 85°C
Frequency Tolerance at +25°C	± 50 ppm max. (see options)
Frequency Stability over the Operating Temp. (Ref to +25°C)	± 50 ppm max. (see options)
Equivalent Series Resistance	See Table 1
Shunt Capacitance C ₀	7pF max.
Load Capacitance C _L	18pF (see options)
Drive Level	500µW max., 100µW typical
Aging at 25°C (first year)	± 5ppm max.
Insulation Resistance	500MΩ min at 100Vdc ± 15V

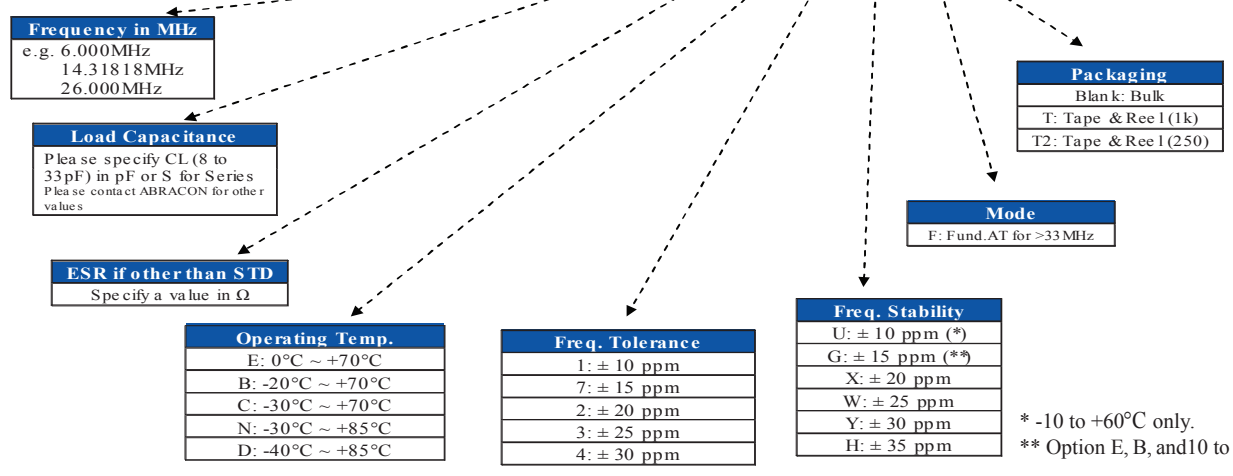
TABLE 1: STANDARD ESR

Frequency (MHz)	ESR (Ω) Max	Frequency (MHz)	ESR (Ω) Max
6.000 - 11.999(Fund)	70	20.000 - 50.000(Fund)	40
12.000 - 20.000(Fund)	50	33.000 - 125.00(3rd O/T)	80

OPTIONS & PART IDENTIFICATION:

(Left blank if standard)

ABMM - [] MHz - [] - R [] - [] - [] - [] - []



ABRACON IS
ISO9001:2008
CERTIFIED



Visit www.abracon.com for Terms & Conditions of Sale
30332 Esperanza, Rancho Santa Margarita, California 92688
tel 949-546-8000 | fax 949-546-8001 | www.abracon.com
Revised: 02.26.12

CERAMIC SURFACE MOUNT MICROPROCESSOR CRYSTAL

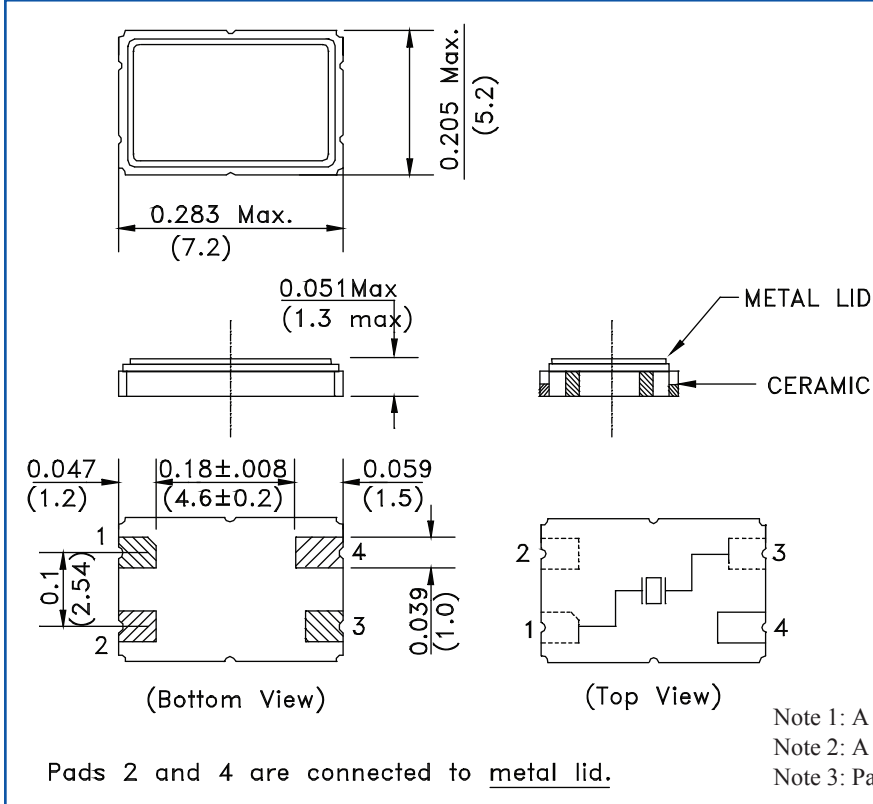


7.0 x 5.0 x 1.3 mm

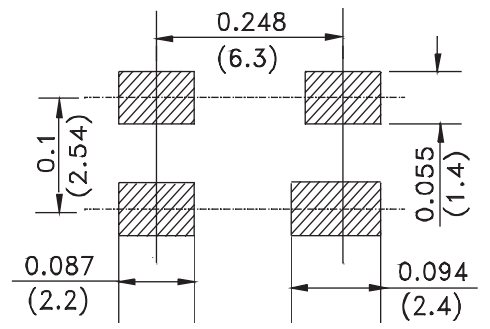
ABMM



OUTLINE DRAWING:



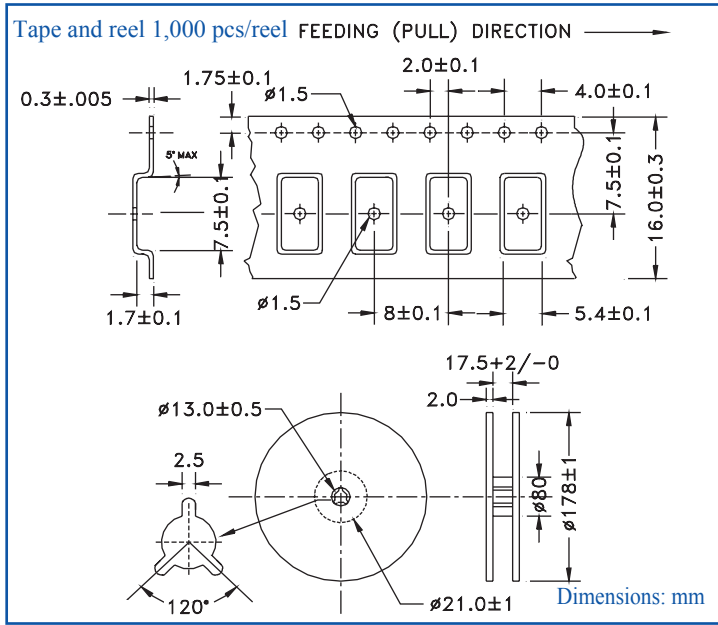
Recommended Land Pattern



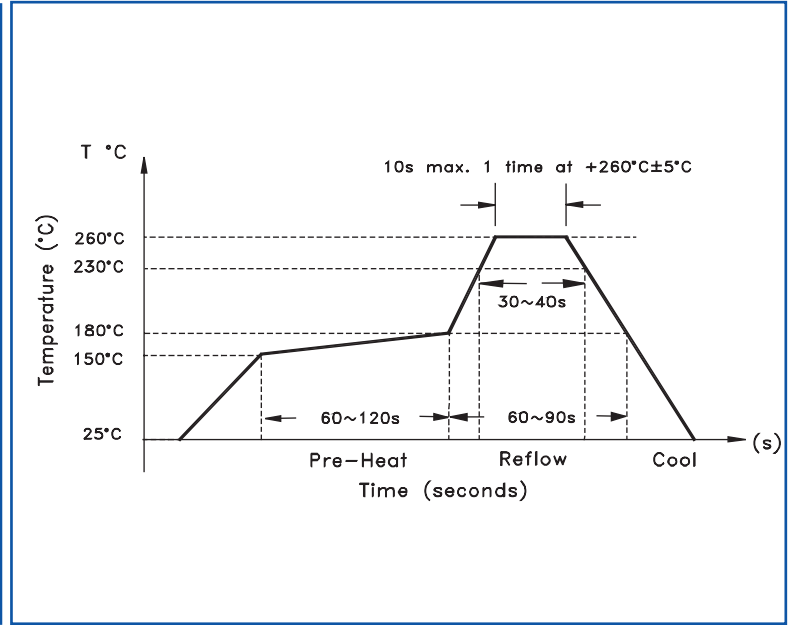
Dimension : Inches (mm)

- Note 1: A longer pad (1.5mm) may appear on either pad 2, 3, or 4.
- Note 2: A chamfer of 0.3mm may appear on pad 1 or 2.
- Note 3: Pads 2 and 4 are connected to the metal lid.

TAPE & REEL:



REFLOW PROFILE:



Need a test socket for the ABMM Series? To view compatible **PRECISION TEST & BURN-IN SOCKETS** for these parts, [click here](#).

ATTENTION Abracon Corporation's products are COTS- Commercial-Off-The-Shelf products; suitable for Commercial, Industrial and, where designated, Automotive Applications. Abracon's products are not specifically designed for Military, Aviation, Aerospace, Life-dependant Medical applications or any application requiring high reliability where component failure could result in loss of life and/or property. For applications requiring high reliability and/or presenting an extreme operating environment, written consent and authorization from Abracon Corporation is required. Please contact Abracon Corporation for more information.



Visit www.abracon.com for Terms & Conditions of Sale
 30332 Esperanza, Rancho Santa Margarita, California 92688
 tel 949-546-8000 | fax 949-546-8001 | www.abracon.com

Revised: 02.26.12

Mouser Electronics

Authorized Distributor

Click to View Pricing, Inventory, Delivery & Lifecycle Information:

ABRACON:

[ABMM-10.000MHZ-B2-T](#) [ABMM-11.0592MHZ-B2-T](#) [ABMM-27.000MHZ-B2-T](#) [ABMM-24.576MHZ-B2-T](#) [ABMM-8.000MHZ-B2-T](#) [ABMM-16.000MHZ-B2-T](#) [ABMM-14.31818MHZ-B2-T](#) [ABMM-16.9344MHZ-B2-T](#) [ABMM-14.7456MHZ-B2-T](#) [ABMM-25.000MHZ-B2-T](#) [ABMM-12.000MHZ-B2-T](#) [ABMM-24.000MHZ-B2-T](#) [ABMM-19.6608MHZ-B2-T](#) [ABMM-20.000MHZ-B2-T](#) [ABMM-32.000MHZ-B2F-T](#) [ABMM-7.3728MHZ-B2-T](#) [ABMM-6.000MHZ-B2-T](#) [ABMM-25.000MHZ-D2X-T](#) [ABMM-32.000MHZ-B2-T](#) [ABMM-25.000MHZ-33-D2-T2](#) [ABMM-12.000MHZ-N2-T](#) [ABMM-29.4912MHZ-10-B-T](#) [ABMM-25.000MHZ-8-D2X-T](#) [ABMM-16.000MHZ-12-R100-N2-X-T](#) [ABMM-20.000MHZ-D2Y-T](#) [ABMM-13.000MHZ-T](#) [ABMM-8.000MHZ-D-T](#) [ABMM-8.000MHZ-D-4-T](#) [ABMM-14.7456MHZ-D2X-T](#) [ABMM2-12.000MHZ-D1-T](#) [ABMM-25.000MHZ-12-N3W-T](#) [ABMM-25.000MHZ-B2X-T](#) [ABMM-6.000MHZ-D2-T](#) [ABMM-6.000MHZ-D2X-T](#) [ABMM-25.000MHZ-33-D2-T](#)