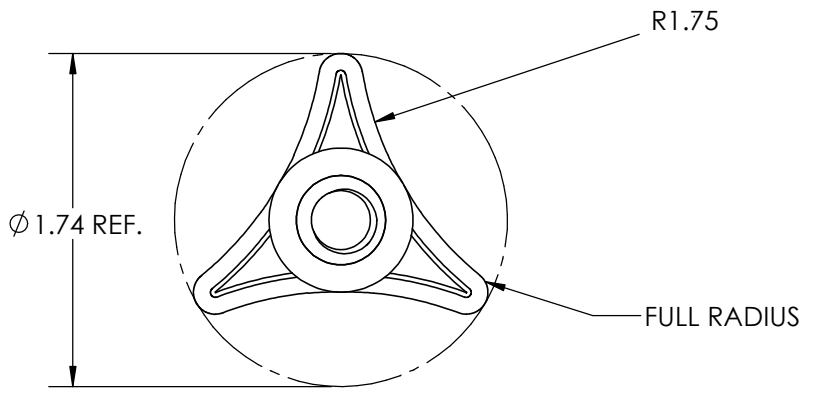


Actual Size



FOR CUSTOMER APPROVAL ONLY		REV	BY	DATE	COMMENT	DIMENSIONS ARE IN INCHES TOLERANCES FRACTIONAL ± TWO PLACE DECIMAL ± 0.03 THREE PLACE DECIMAL ± 0.010 UNLESS OTHERWISE NOTED	DRAWN	VRR	INNOVATIVE COMPONENTS PART NAME 1.75" 3-Prong Knob, 3/8-16 Thru Hole, Steel & Zinc PART NUMBER KN6C----3P4--21 DRAWING NUMBER 05-01-14 R2 SCALE 1:1 SHEET 1 OF 1
NAME:	0	MTO	7/16/02	RELEASE DATE			APPROVED	LQR	
TITLE:	1	BJS	5/03/07	Deleted bury specs			DATE	05/06/2014	
	2	VRR	05/06/14	Added signature box			COMMENTS Minimum torque out 45 in - lbs		
DATE:	PROPRIETARY AND CONFIDENTIAL					KNOB MATERIAL Polypropylene, Black	INSERT MATERIAL Steel		
SIGNATURE:	THE INFORMATION CONTAINED IN THIS DRAWING IS THE SOLE PROPERTY OF INNOVATIVE COMPONENTS. ANY REPRODUCTION IN PART OR AS A WHOLE WITHOUT THE WRITTEN PERMISSION OF INNOVATIVE COMPONENTS IS PROHIBITED.					KNOB FINISH Textured	INSERT FINISH Zinc		
						INSERT PART NUMBER NR6C05310750-21			

