

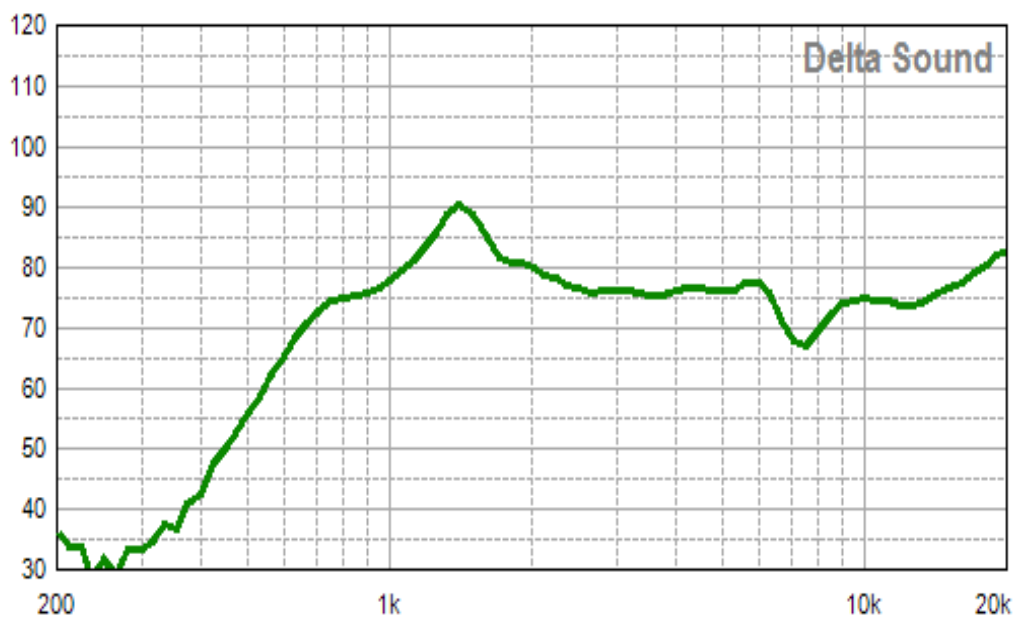
Specification for Speaker

| | | | |
|-----------|-----------------|-------------|---------------|
| Model No. | VSB36X14R12P1.5 | Drawing No. | VS20200703013 |
| Customer | | | |

SPEC

| NO. | Items | Specification | Test Condition |
|-----|-------------------|--|---------------------------------------|
| 1 | Impedance | 12Ω±15% | at 1Vrms,2kHz |
| 2 | Resonant Fr. (fo) | 1500Hz±20% | |
| 3 | Frequency Range | f0-20KHz | |
| 4 | Rated Power | 1.5W | |
| 5 | Max Power | 2W | |
| 6 | S.P.L. | 78dB±3dB | (0.1W/0.1M at 0.8,1.0,1.2,1.5kHz Ave) |
| 7 | Distortion | <5% Max. | at 2kHz/2Vrms |
| 8 | Sweep Test | must be normal | at sine wave 4V |
| 9 | Load Test | after test meet item 8 | rated white noise power, 96 Hrs. |
| 10 | Heat Test | after test meet item 8 | +70±2°C 20~50% 96Hrs. |
| 11 | Cold Test | after test meet item 8 | -30±3°C 96Hrs. |
| 12 | Humidity Test | after test meet item 8 | +40±2°C,90~95% 96Hrs. |
| 13 | Weight | 14±5%g | |
| 14 | Polarity Test | with positive D.C. voltage to (+) terminal, the cone shall move forward. | |
| 15 | Note | | |

Frequency Response Curve



Specification for Speaker

Model No. VSB36X14R12P1.5

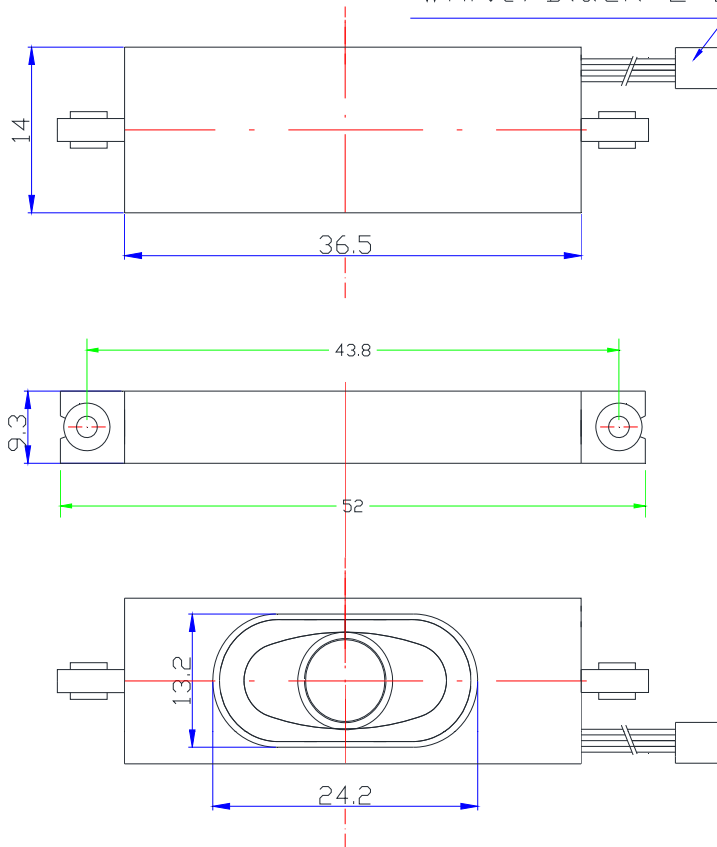
Drawing No.

VS20200703013

Dimensions:



RED/BLACK<UL1571
AWG#32>L=210mm;
White/Black L=210mm



Unit : mm

Tolerance : ± 0.2