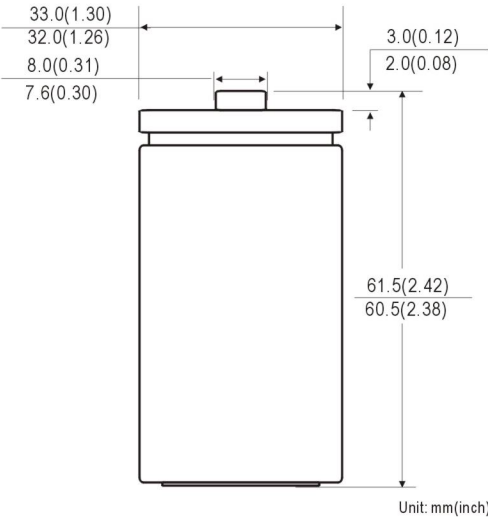


## RECHARGEABLE BATTERY : Nickel Metal Hydride

Document Title: RB006100

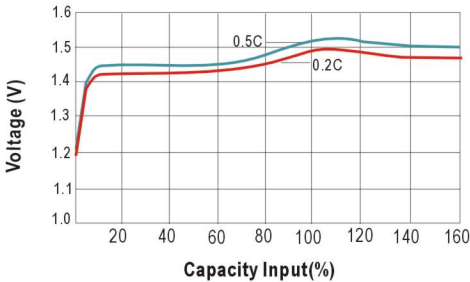
# NH-D10000

### Dimensions:



<b>Chemical System</b>	: Nickel Metal Hydride
<b>Camelion Model</b>	: NH-D10000
<b>Average Weight</b>	: 180.0g
<b>Dimension (Ø x H)</b>	: 32.5 <sup>+0.5</sup> x 61.0 <sup>+0.5</sup> mm (1.28 <sup>+0.02</sup> x 2.40 <sup>+0.02</sup> inch)
<b>Nominal Voltage</b>	: 1.2 Volts
<b>Nominal Internal Resistance</b>	: 10.0m-ohm @ 1kHz
<b>Capacity (2000mA constantly discharge to 1.0V at 20±2°C)</b>	
<b>Typical</b>	: 10000mAh
<b>Minimum</b>	: 9450mAh
<b>Max. Charge Current</b>	: 5000mA
<b>Max. Discharge Current</b>	: 20.0A
<b>Relative Humidity</b>	: 65±20%
<b>Jacket</b>	: PVC Label

### Charge Characteristics



### Charging Conditions

Mode	Current	Time	Temperature
Standard	1000mA	14.0hrs	0°C~45°C
Quick	2000mA	7.0hrs	10°C~45°C
Fast	5000mA	2.4hrs*	10°C~45°C
Trickle	300~450mA	Continuously	10°C~35°C

\*Can also be controlled with - ΔV or dT/dt system  
 - ΔV : 0-10mV  
 dT/dt : 0.8°C/min(0.5C to 0.9C)  
 0.8-1.0°C/min(1C)  
 Timer cut off : 120% nominal capacity  
 Temp. cut off : 55°C

### Continuous Overcharge

1000mA maximum current for 28 days  
 No conspicuous deformation and/or leakage

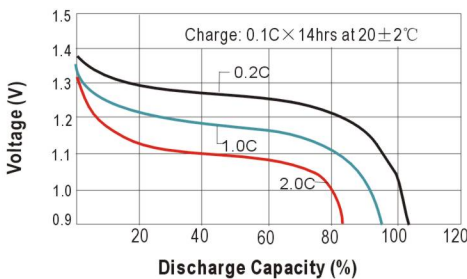
### Operating and Storage Temperatures

**Charge at 0.1C** : 0°C to 50°C (32°F to 122°F)  
**Discharge at 0.1C** : -20°C to 50°C (-4°F to 122°F)  
**Storage** : -40°C to 50°C (-40°F to 122°F)  
 (3 Months Max.)  
 -20°C to 35°C (-4°F to 95°F)  
 (2 Years Max.)

### Service Life

>500 cycles (IEC standard)  
 Up to 1000 cycles (not less than 60% of nominal at 0.1C Charge/0.2C discharge)

### Discharge Characteristics



### Notice:

Environmental elements comply with RoHS requirements. This information is subject to change without prior notice and for reference only. It should not be used as a basis for a product guarantee or warranty. For additional information, please consult your nearest Camelion Sales Office or Distributor or visit our website at: [www.camelionbattery.com](http://www.camelionbattery.com).