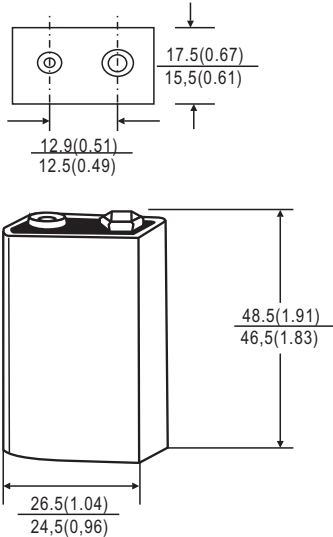


RECHARGEABLE BATTERY : Nickel Metal Hydride

NH-9V250

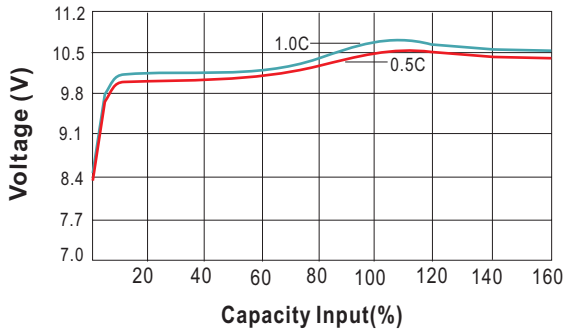
Dimensions:



Unit: mm(inch)

Chemical System	: Nickel Metal Hydride
Camelion Model	: NH-9V250
Average Weight	: 42.0g
Dimension (LxWxH)	: 25,5 ^{±1} x16,5 ^{±1} x47.5 ^{±1} mm (1.03 ^{±0.04} x0.60 ^{±0.04} x1.91 ^{±0.04} inch)
Nominal Voltage	: 8.4 Volts
Nominal Internal Resistance	: 1000m-ohm @ 1kHz
Capacity(50mA constantly discharge to 7.0V at 20 °C)	
Typical	: 250mAh
Minimum	: 250mAh
Max. Charge Current	: 250mA
Max. Discharge Current	: 500mA
Relative Humidity	: 65 ±20
Jacket	: PVC Label

Fast Charge Characteristics



Charging Conditions

Mode	Current	Time	Temperature
Standard	25mA	15.0hrs	0°C~45°C
Quick	75mA	5.0hrs	10°C~45°C
Fast	125mA	2.5hrs*	10°C~45°C
Trickle	7~12mA	Continuously	10°C~35°C

*Can also be controlled with - V or dT/dt system

- V : 0-35mV
- dT/dt : 0.8 /min(0.5C to 0.9C)
0.8-1.0 /min(1C)
- Timer cut off : 120% nominal capacity
- Temp. cut off : 55

Continuous Overcharge

25mA maximum current for 28 days
No conspicuous deformation and/or leakage

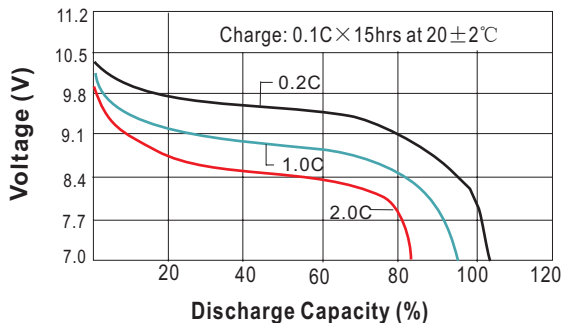
Operating and Storage Temperatures

Charge at 0.1C : 0℥ to 50℥ (32℥ to 122℥)
Discharge at 0.1C : -20℥ to 50℥ (-4℥ to 122℥)
Storage : -40℥ to 50℥ (-40℥ to 122℥)
 (3 Months Max.)
 -20℥ to 35℥ (-4℥ to 95℥)
 (2 Years Max.)

Service Life

>500 cycles (IEC standard)
Up to 1000 cycles (not less than 60% of nominal at 0.1C Charge/0.2C discharge)

Discharge Characteristics



Notice:

Environmental elements comply with RoHS requirements. This information is subject to change without prior notice and for reference only. It should not be used as a basis for a product guarantee or warranty. For additional information, please consult your nearest Camelion Sales Office or Distributor or visit our website at: www.camelionbattery.com.