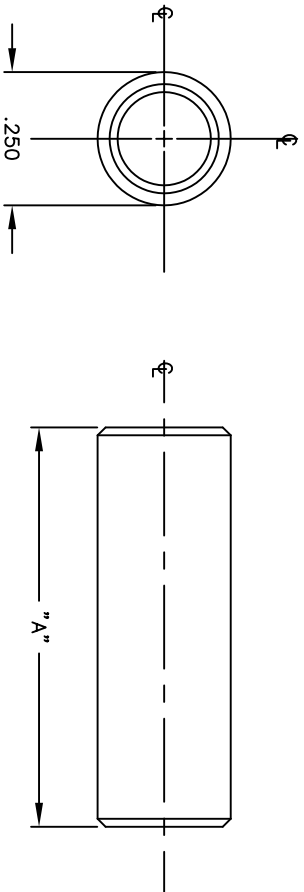
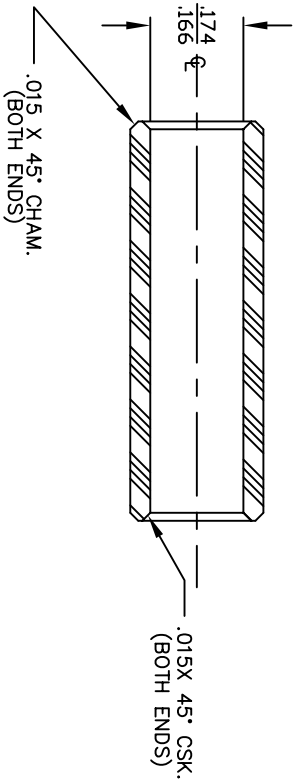


REVISIONS		REVISED BY	DATE	APPR
SYM	DESCRIPTION			



PART NO.	DIM "A"
8520	.125
9214	.187
8521	.250
9215	.312
8522	.375
9216	.437
8523	.500
9217	.562
8524	.625
9218	.687
8525	.750
9219	.812
8526	.875
9220	.937
8527	1.000
8520R	1.125
8528	1.250
8520T	1.375
8529	1.500
8520V	1.625
8530	1.750
8520X	1.875
8531	2.000

MATERIAL ALUMINUM ALLOY 2011 T3		FINISH CLEAR CHROMATE	
DIMENSIONAL TOLERANCES UNLESS OTHERWISE SPECIFIED		TITLE ALUMINUM ROUND 1/4"	
.XX	.XXX	.XXX	.XXX
FRACTIONS		SCALE	
----	----	NONE	
HEAT TREAT	----	DRAWN: T. LORD	DATE 02/10/03
PLDT SCALE:	1=1	CHECKED: T. LORD	DATE 02/10/03
		APPROVED: T. LORD	DATE 02/10/03

ABBATRON		Electronic Connectors and Hardware	
632 Arch Street, Meadville, Pa. 16335		SIZE	DRAWING NUMBER
		B	SD: SMP-00403
		B	ISSUE