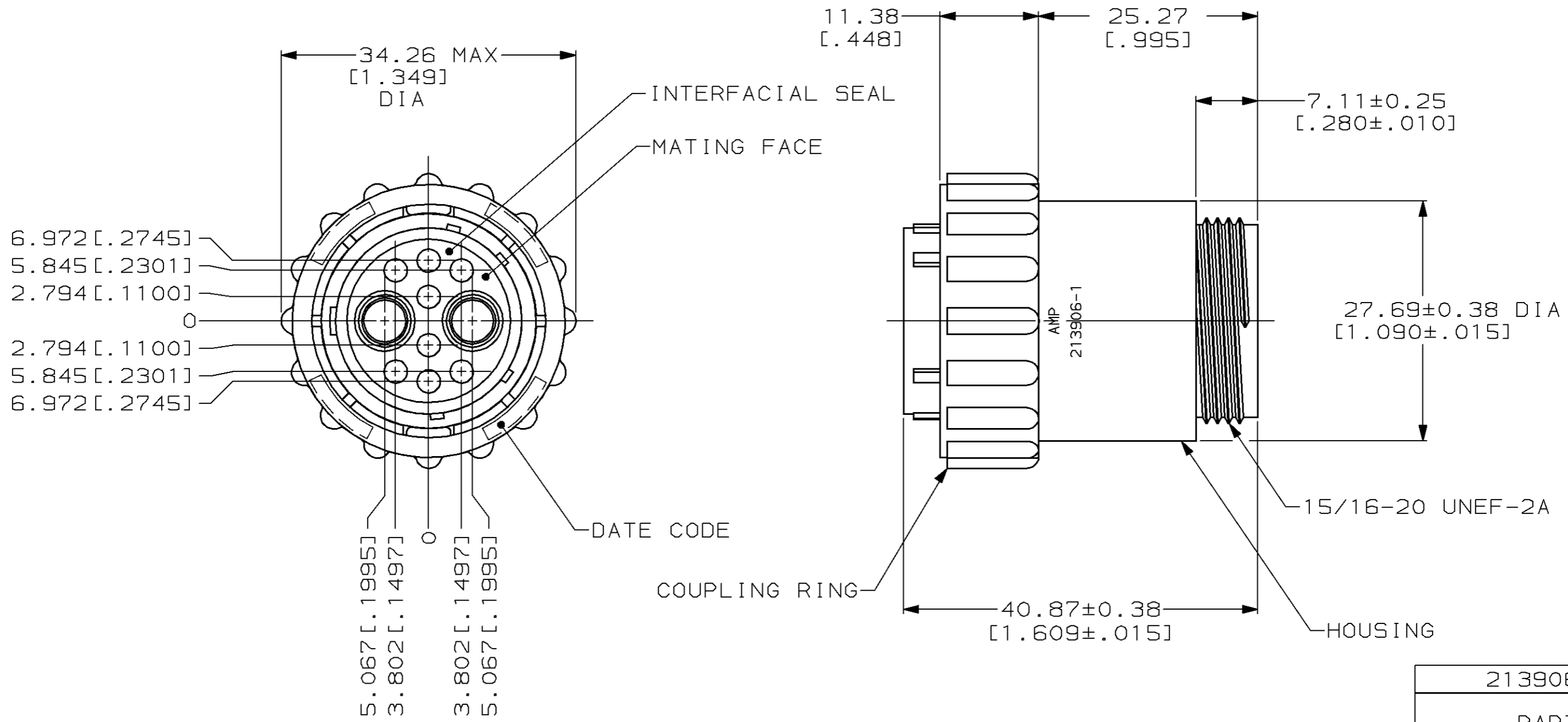


THIS DRAWING IS UNPUBLISHED. RELEASED FOR PUBLICATION, 19 .  
 © COPYRIGHT 19 BY AMP INCORPORATED. ALL RIGHTS RESERVED.

LOC	DIST	REVISIONS			
P	LTR	DESCRIPTION	DATE	DWN	APVD
FT	4				
	0	RLSE -1 PER NPR 5374, WAS 95-7970-26	07/04/95	-	-
	A	REV PER EC 0020-463-96	-	CR	AF
	B	REV PER EC 0320-244-97	06 OCT 97	BC	KD
	C	REV PER EC 0320-425-97	05 JAN 98	PB	RW



213906-1  
 PART NUMBER

1 HOUSING: GLASS FILLED NYLON, 6/6, BLACK  
 COUPLING RING: POLYESTER, BLACK  
 INTERFACIAL SEAL: ELASTOMER, RED-IRON OXIDE.

THIS DRAWING IS A CONTROLLED DOCUMENT FOR AMP INCORPORATED. IT IS SUBJECT TO CHANGE AND THE CONTROLLING ENGINEERING ORGANIZATION SHOULD BE CONTACTED FOR THE LATEST REVISION.		DWN D. HARDY 07/04/95	<b>AMP</b> AMP Incorporated Harrisburg, PA 17105-3608												
DIMENSIONS: mm [INCHES]		CHK W. G. LENKER 07/05/95													
TOLERANCES UNLESS OTHERWISE SPECIFIED:		APVD A. FRANTUM 07/05/95													
<table border="1"> <tr><td>0 PLC</td><td>±-</td></tr> <tr><td>1 PLC</td><td>±-</td></tr> <tr><td>2 PLC</td><td>±0.13 [.005]</td></tr> <tr><td>3 PLC</td><td>±0.013 [.0005]</td></tr> <tr><td>4 PLC</td><td>±-</td></tr> <tr><td>ANGLES</td><td>±-</td></tr> </table>		0 PLC	±-	1 PLC	±-	2 PLC	±0.13 [.005]	3 PLC	±0.013 [.0005]	4 PLC	±-	ANGLES	±-	PRODUCT SPEC -	NAME PLUG ASSEMBLY, REVERSE SEX, 17-10, SERIES 6, CIRCULAR PLASTIC CONNECTOR
0 PLC	±-														
1 PLC	±-														
2 PLC	±0.13 [.005]														
3 PLC	±0.013 [.0005]														
4 PLC	±-														
ANGLES	±-														
MATERIAL 1		FINISH -	APPLICATION SPEC -												
		WEIGHT -	SIZE A3												
		CUSTOMER DRAWING	CAGE CODE 00779												
			DRAWING NO C-213906												
			SCALE 2:1												
			SHEET 1 OF 1												
			REV C												