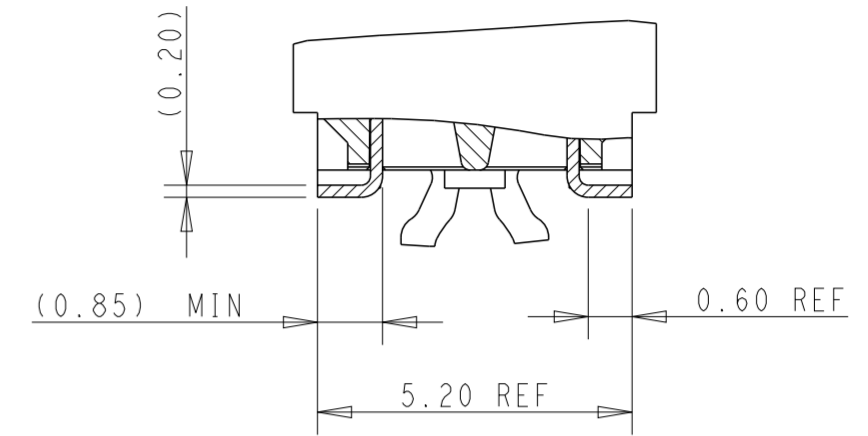
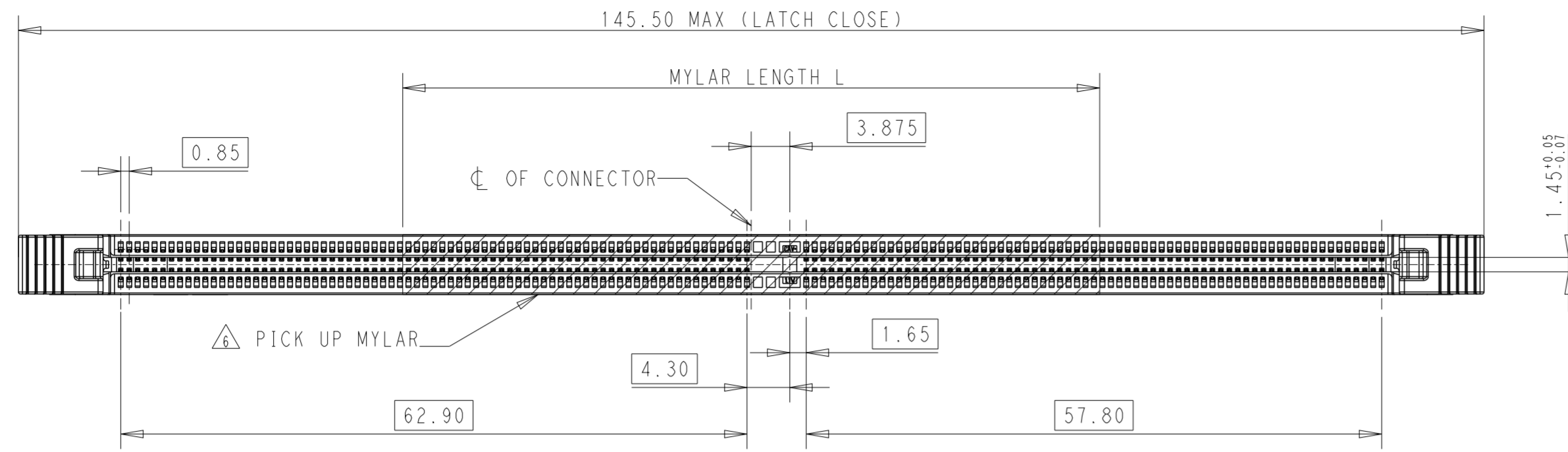
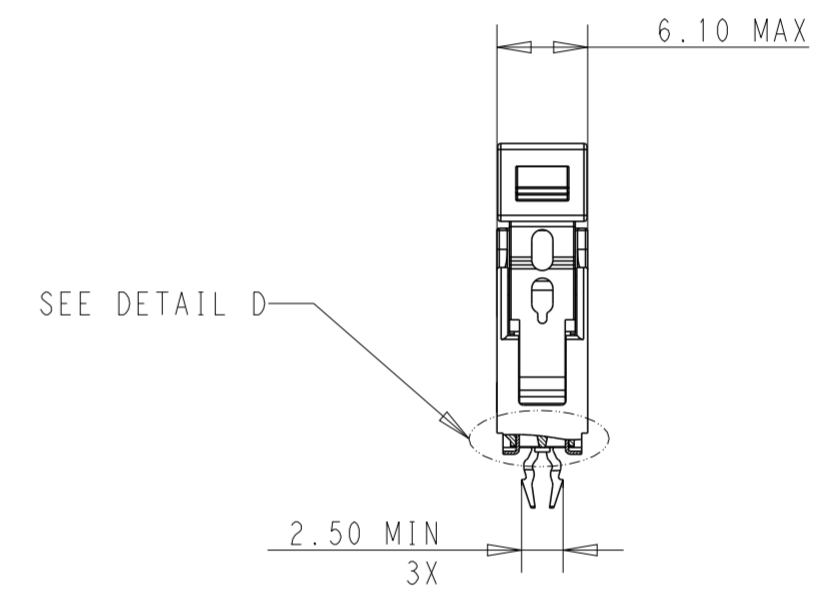
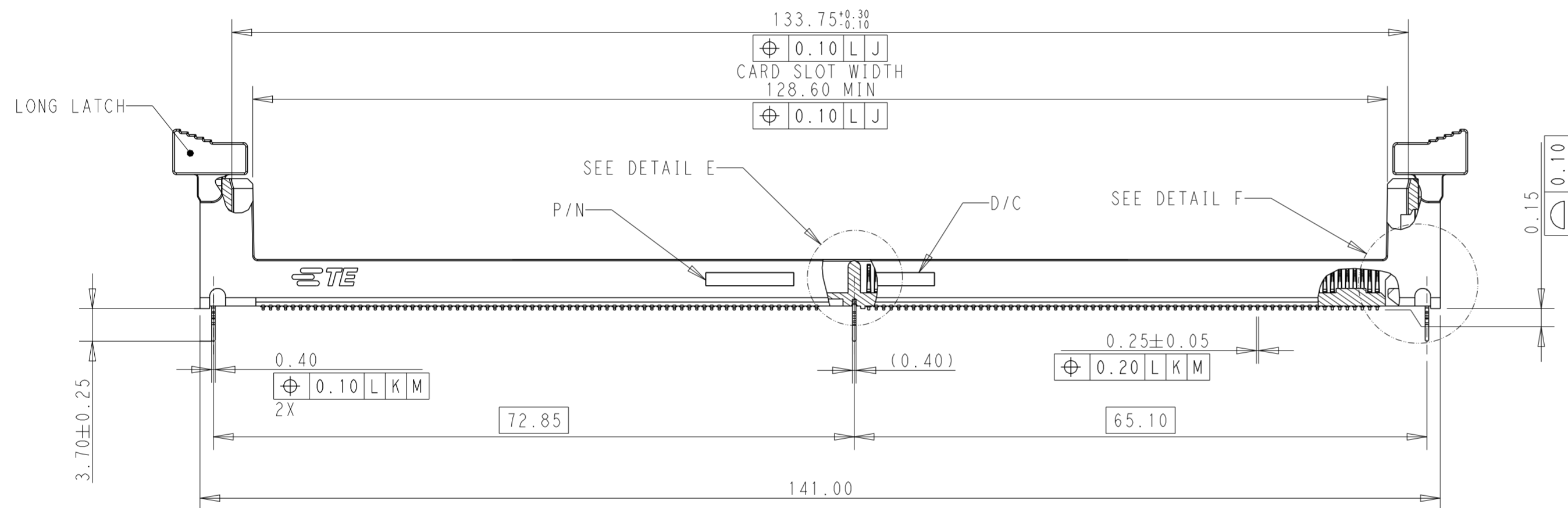


REVISIONS				
P	LTR	DESCRIPTION	DATE	APVD
23		TRAY DESIGN CHANGE	17JUN2022	SS
24		CORRECT BL WIDTH DIM	20JUN2022	SS
A		RELEASE TO PRODUCTION	23AUG2022	SS
A1		ECR-22-150324	24AUG2022	SS

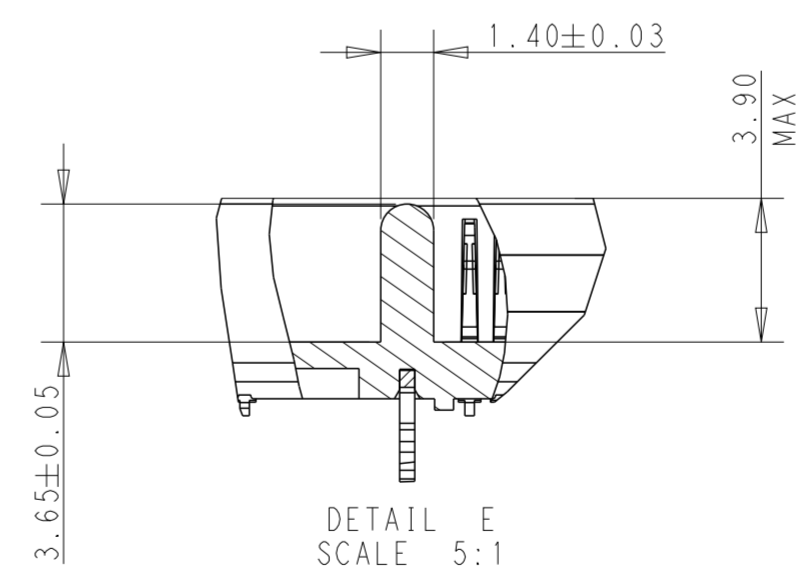


DETAIL D  
SCALE 8:1

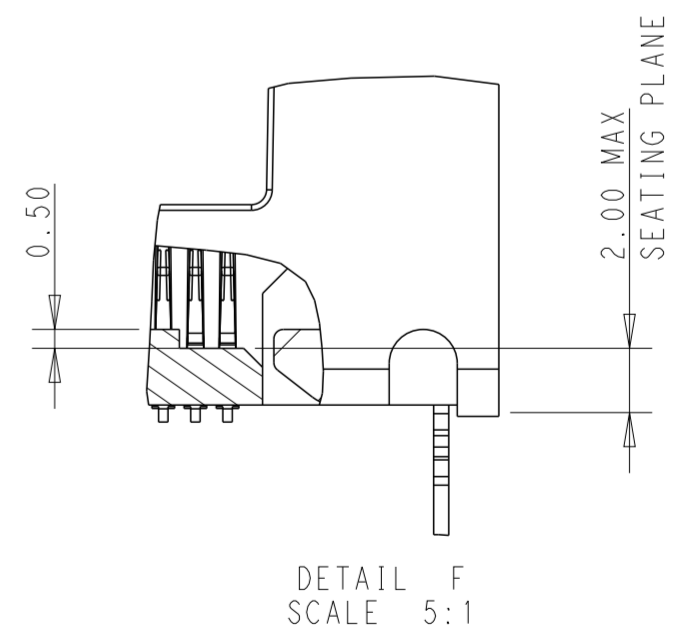


SEE DETAIL D

- MATERIALS:  
 HOUSING: HIGHT TEMPERATURE NYLON, UL 94-V0,HF;  
 LATCHES: HIGHT TEMPERATURE NYLON, UL 94-V0,HF;  
 CONTACTS: COPPER ALLOY;  
 HOLD DOWN: STAINLESS STEEL.
  - INTERFACE FINISH:  
 (1) 0.00076 (30u") MIN THICK GOLD OVER 0.00127 (50u") MIN THICK NICKEL.  
 (2) 0.00038 (15u") MIN THICK GOLD OVER 0.00127 (50u") MIN THICK NICKEL.
  - SOLDERTAIL FINISH:  
 0.00300 (120u") MIN THICK MATTE TIN OVER 0.00127 (50u") MIN THICK NICKEL.
  - HOLD DOWN FINISH:  
 TAB: 0.00300 (120u") MIN THICK MATTE TIN OVER 0.00127 (50u") MIN THICK NICKEL.
  - KEEP OUT AREA RESERVED FOR SOCKET LATCHES AT BOTH ENDS.
- ⚠ MYLAR WITH SIZE L X 6 IS LOCATED IN THE CENTER OF CONNECTOR.



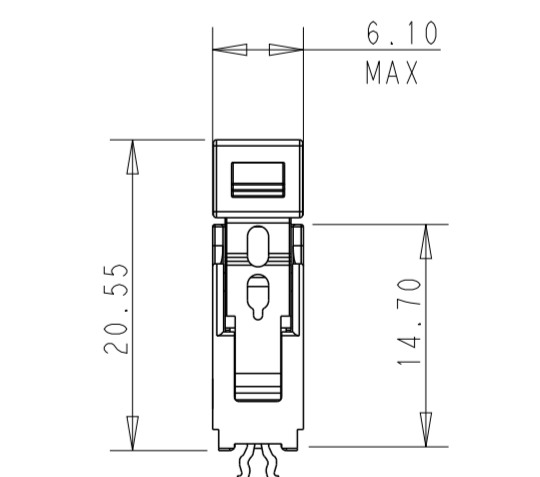
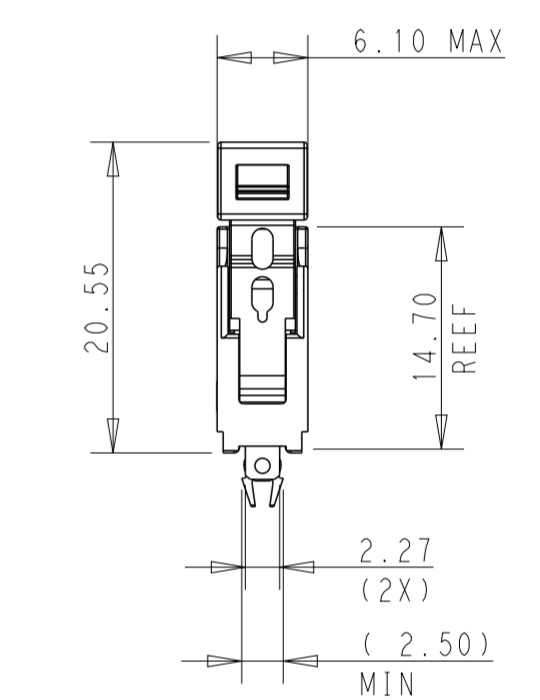
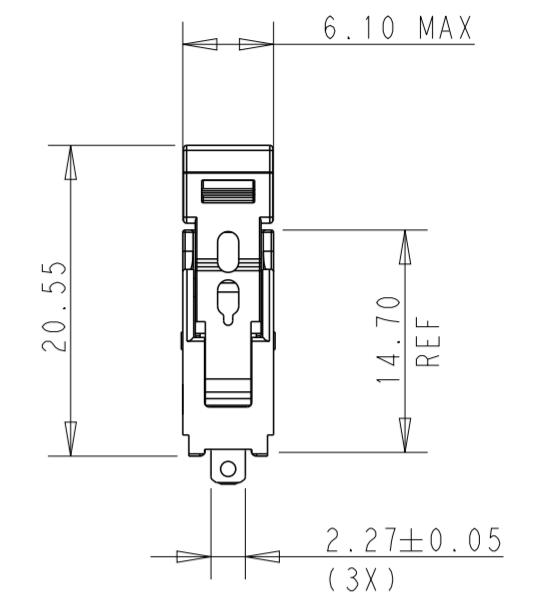
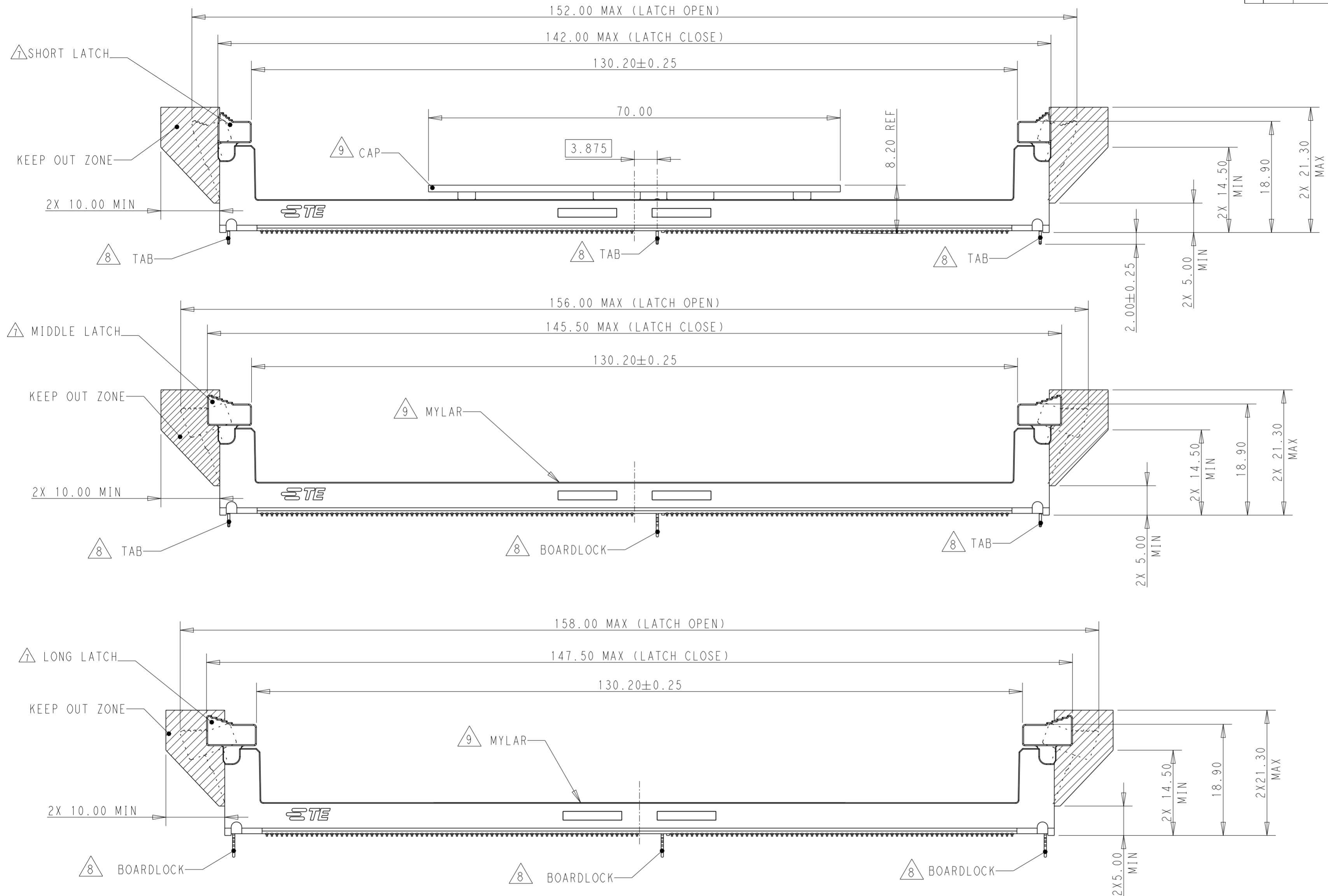
DETAIL E  
SCALE 5:1



DETAIL F  
SCALE 5:1

THIS DRAWING IS A CONTROLLED DOCUMENT.		DWN DAVID ZHAO 22APR2019	TE Connectivity	
DIMENSIONS: mm		CHK -		
TOLERANCES UNLESS OTHERWISE SPECIFIED:		APVD -	NAME SOCKET ASSEMBLY	
0 PLC ±	1 PLC ±0.25	PRODUCT SPEC 108-115141	DDR5 DIMM, SMT TYPE	
2 PLC ±0.15	3 PLC ±0.10	APPLICATION SPEC 114-115044	0.85MM PITCH, 288 POSITION	
4 PLC ±	ANGLES ±2°	WEIGHT -	SIZE A2	CAGE CODE 00779
MATERIAL -	FINISH -	CUSTOMER DRAWING	DRAWING NO C-2355626	RESTRICTED TO -
SCALE 1:1			SHEET 1 OF 6	REV A1

REVISIONS				
P	LTR	DESCRIPTION	DATE	APVD



- △ SHORT, LONG, MIDDLE LATCH ARE OPTIONAL FOR DIFFERENT KEEPOUT APPLICATION.
- ⊠ BOARDLOCK AND TAB ARE OPTIONAL FOR DIFFERENT APPLICATION.
- △ MYLAR AND CAP ARE OPTIONAL FOR DIFFERENT APPLICATION.

THIS DRAWING IS A CONTROLLED DOCUMENT.		DWN DAVID ZHAO 22APR2019	TE Connectivity	
DIMENSIONS: mm		CHK -		
TOLERANCES UNLESS OTHERWISE SPECIFIED:		APVD -	NAME SOCKET ASSEMBLY	
0 PLC	±0.25	PRODUCT SPEC	DDR5 DIMM, SMT TYPE	
1 PLC	±0.15	108-115141	0.85MM PITCH, 288 POSITION	
2 PLC	±0.10	APPLICATION SPEC	SIZE	CAGE CODE
3 PLC	±0.10	114-115044	A2	00779
4 PLC	±0.10	WEIGHT	DRAWING NO	RESTRICTED TO
ANGLES	±2°	CUSTOMER DRAWING	C-2355626	-
FINISH	-	SCALE	1:1	SHEET
				2 OF 6
				REV A1

REVISIONS				
P	LTR	DESCRIPTION	DATE	APVD

# DDR5 DIMM NAMING RULE

X - 23556XX - X

LATCH TYPE&PICKUP TYPE

- VOID: LONG LATCH & MYLAR 1
- 1: SHORT LATCH & MYLAR 1
- 2: MIDDLE LATCH & MYLAR 1
- 3: LONG LATCH & CAP
- 4: SHORT LATCH & CAP
- 5: MIDDLE LATCH & CAP
- 6: LONG LATCH W/O MYLAR & CAP
- 7: SHORT LATCH W/O MYLAR & CAP
- 8: MIDDLE LATCH W/O MYLAR & CAP
- 9: MIDDLE LATCH & MYLAR 2

HOUSING&LATCH COLOR

- 26: BLACK&BLACK
- 27: BLACK&NATURAL
- 28: BLACK&YELLOW
- 29: BLACK&BLUE
- 30: BLACK&GREEN
- 31: NATURAL&BLACK
- 32: NATURAL&NATURAL
- 33: NATURAL&YELLOW
- 34: NATURAL&BLUE
- 35: NATURAL&GREEN
- 36: YELLOW&BLACK
- 37: YELLOW&NATURAL
- 38: YELLOW&YELLOW
- 39: YELLOW&BLUE
- 40: YELLOW&GREEN
- 41: BLUE&BLACK
- 42: BLUE&NATURAL
- 43: BLUE&YELLOW
- 44: BLUE&BLUE
- 45: BLUE&GREEN
- 46: GREEN&BLACK
- 47: GREEN&NATURAL
- 48: GREEN&YELLOW
- 49: GREEN&BLUE
- 50: GREEN&GREEN

GOLD PLATING&HOLDDOWN TYPE

- 1: 30u" & 3 TAB
- 2: 30u" & 3 BOARDLOCK
- 3: 30u" & 2 SIDETAB+1 BOARDLOCK
- 4: 15u" & 3 TAB
- 5: 15u" & 3 BOARDLOCK
- 6: 15u" & 2 SIDETAB+1 BOARDLOCK

## DDR5 DIMM SPEC CHARACTERISTICS (MORE SPEC,CHECK TE 108-115141)

### 1. MECHANICAL CHARACTERISTICS

- 1.1 INSERTION FORCE OF MODULE TO CONNENTOR: 106.8N MAX.
- 1.2 UNMATING FORCE: 19.77N MIN.
- 1.3 DURABILITY: PERFORM 25 CYCLES MATING AND UNMATING.
- 1.4 INSERTION FORCE OF CONNECTOR TO PCB: 35N MAX.

### 2. ELECTRICAL CHARACTERISTICS

- 1.1 WITHSTANDING VOLTAGE: 500VAC PER EIA-364-20, CONDITION I.
- 1.2 INSULATION RESISTANCE: 1M OHMS MIN PER EIA-364-21, 500VDC.
- 1.3 CURRENT CARRYING CAPABILITY AT 30°C TEMPERATURE: 1A MAX.
- 1.4 CONTACT RESISTANCE(LLCR):  
INITIAL: 20 MILLIOHMS MAX,  
FINAL: THE CHANGE IN LLCR BETWEEN THE READING AFTER STRESS AND THE INITIAL READING SHALL NOT EXCEED 20 MILLIOHMS.

### 3. ENVIRONMENTAL CHARACTERISTICS


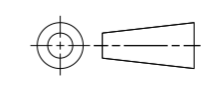
- 1.1 TEMPERATURE LIFE: 105°C, 120H PER EIA-364-17, METHOD A.
- 1.2 MECHANICAL SHOCK: 50G, 11MILLISECONDS, 3 DROPS IN EACH OF 6 DIRECTIONS PER EIA-364-27.
- 1.3 VIBRATION: 10 MINUTES PER DIRECTION FOR ALL 3 DIRECTIONS PER EIA-364-28, PROFILE SEE TE 108-115141.
- 1.4 THERMAL SHOCK: -55°C TO 85°C, 5 CYCLES IN MATED CONDITION PER EIA-364-32, METHOD A, CONDITON I.
- 1.5 CYCLIC TEMPERATUREHUMILITY: 24 CYCLES BETWEEN 25°C AT 80% RH AND 65°C AT 50% RH PER EIA-364-31, METHOD III.
- 1.6 THERMAL CYCLING: 500 CYCLES IN MATED CONDITION BETWEEN 15°C AND 85°C.
- 1.7 MIXED FLOWING GAS:  
FOR 15U"AU TYPE, 168H MIN TESTING PER EIA-364-65, CLASS IIA.  
FOR 30U"AU TYPE, 240H MIN TESTING PER EIA-364-65, CLASS IIA.

### 4. REFLOW PROCESS CHARACTERISTICS

MOISTURE SENSITIVITY LEVEL OF PLASTIC MATERIAL IS LEVEL 1, COULD WITHSTAND 260°C, 10S LEAD FREE PROCESS ABILITY. RECOMMENDED REFLOW PROFILE IS IN TE 108-115141.

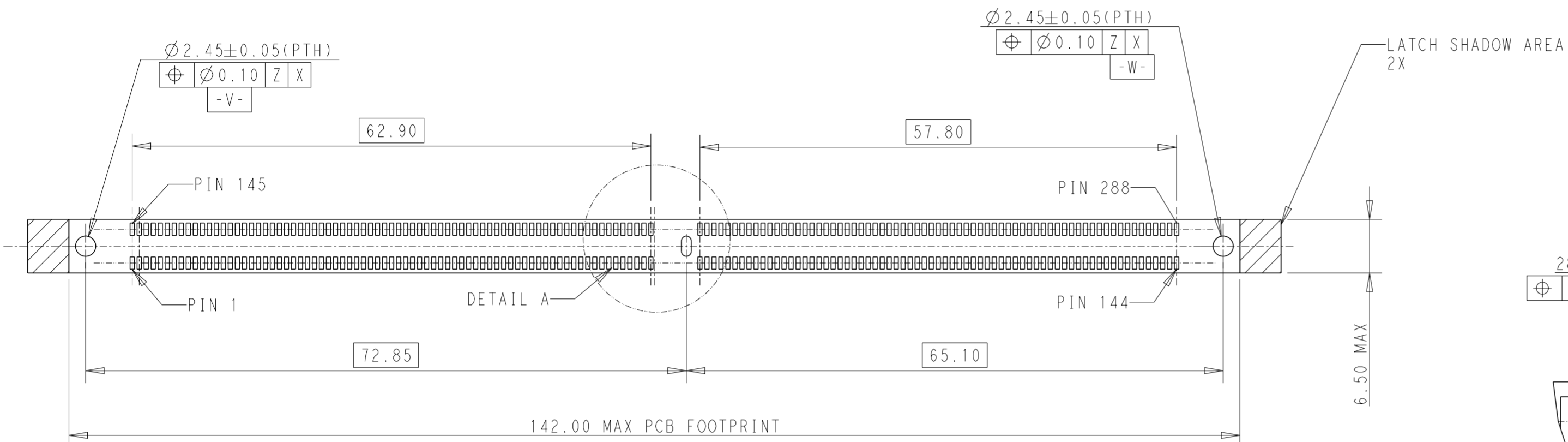
NOTE:

MYLAR 1 LENGTH: L=70.0 ±1.0  
 MYLAR 2 LENGTH: L=128.0 ±1.0

THIS DRAWING IS A CONTROLLED DOCUMENT.		DWN DAVID ZHAO 22APR2019	 TE Connectivity	
DIMENSIONS: mm		CHK -		
		TOLERANCES UNLESS OTHERWISE SPECIFIED: 0 PLC ± 1 PLC ±0.25 2 PLC ±0.15 3 PLC ±0.10 4 PLC ± ANGLES ±2° FINISH		NAME SOCKET ASSEMBLY DDR5 DIMM, SMT TYPE 0.85MM PITCH, 288 POSITION
MATERIAL -		PRODUCT SPEC 108-115141	SIZE A2	RESTRICTED TO -
		APPLICATION SPEC 114-115044	CAGE CODE 00779	DRAWING NO C-2355626
		WEIGHT -	SCALE 1:1	SHEET 3 OF 6
		CUSTOMER DRAWING	REV A1	

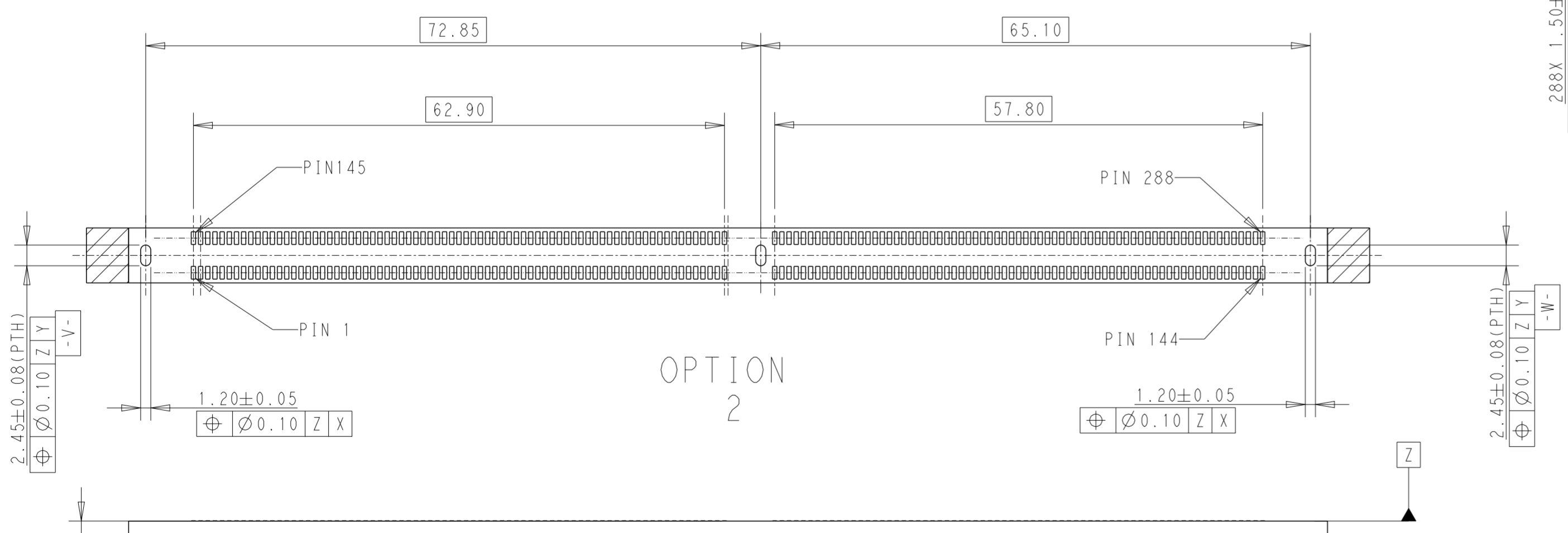
REVISIONS				
P	LTR	DESCRIPTION	DATE	APVD

1 DATUM Z IS THE TOP SIZE OF PCB.  
 2 HOLD DOWN HOLE SHOULD BE PLATED THROUGH HOLE.

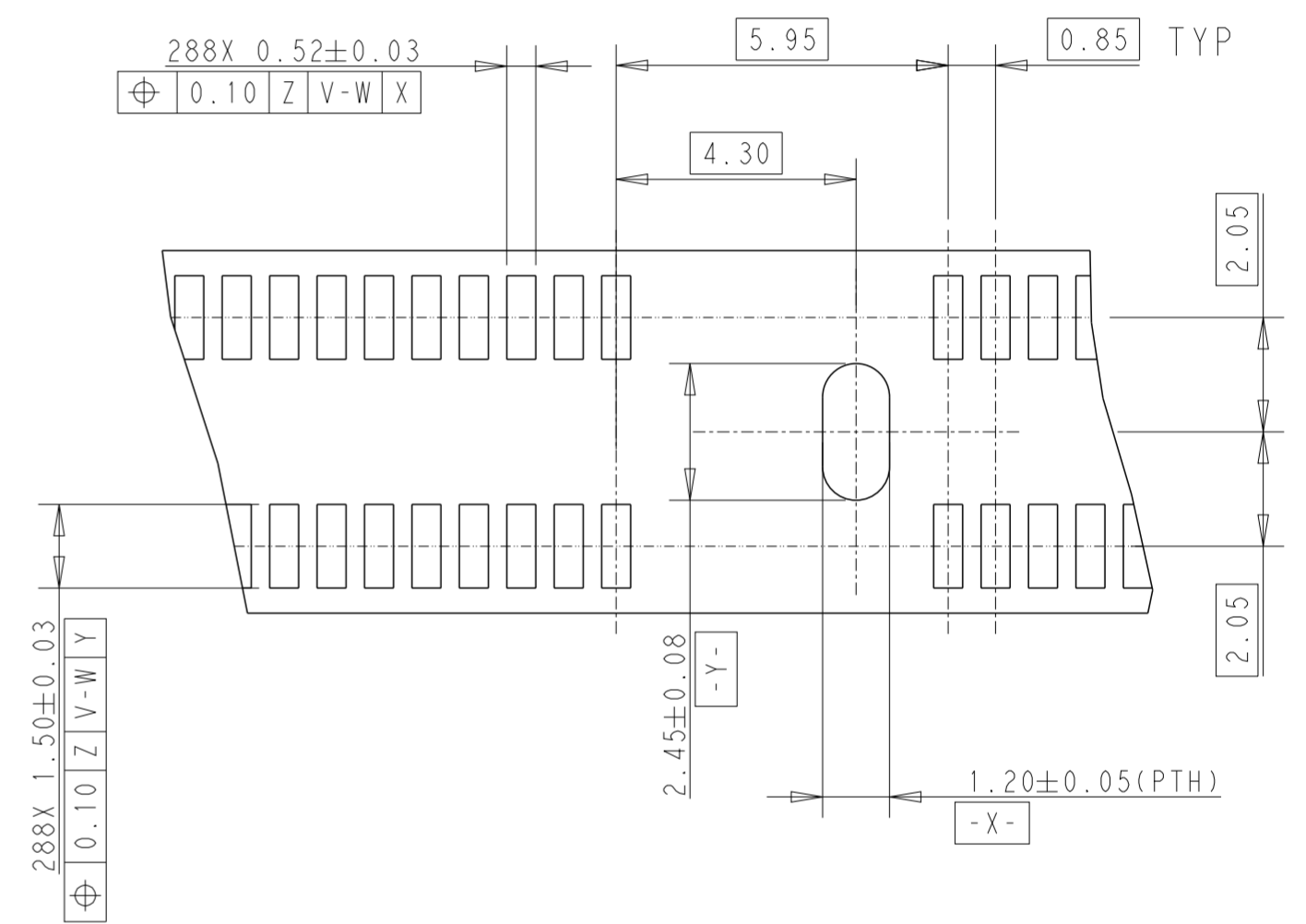


FOR SHORT LATCH, X IS 152MM MAX;  
 FOR MIDDLE LATCH, X IS 156MM MAX;  
 FOR LONG LATCH, X IS 162MM MAX;

OPTION 1



OPTION 2

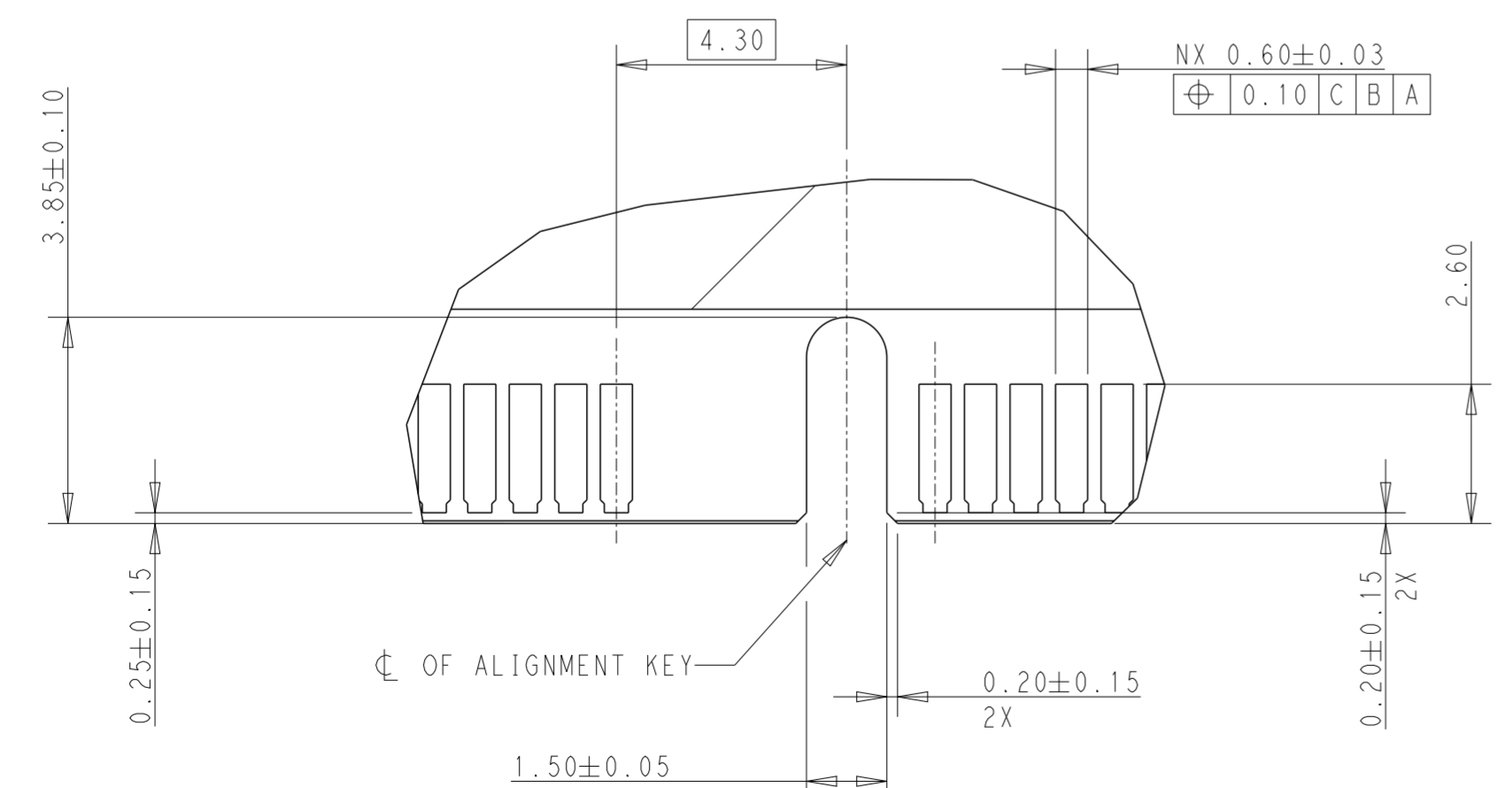
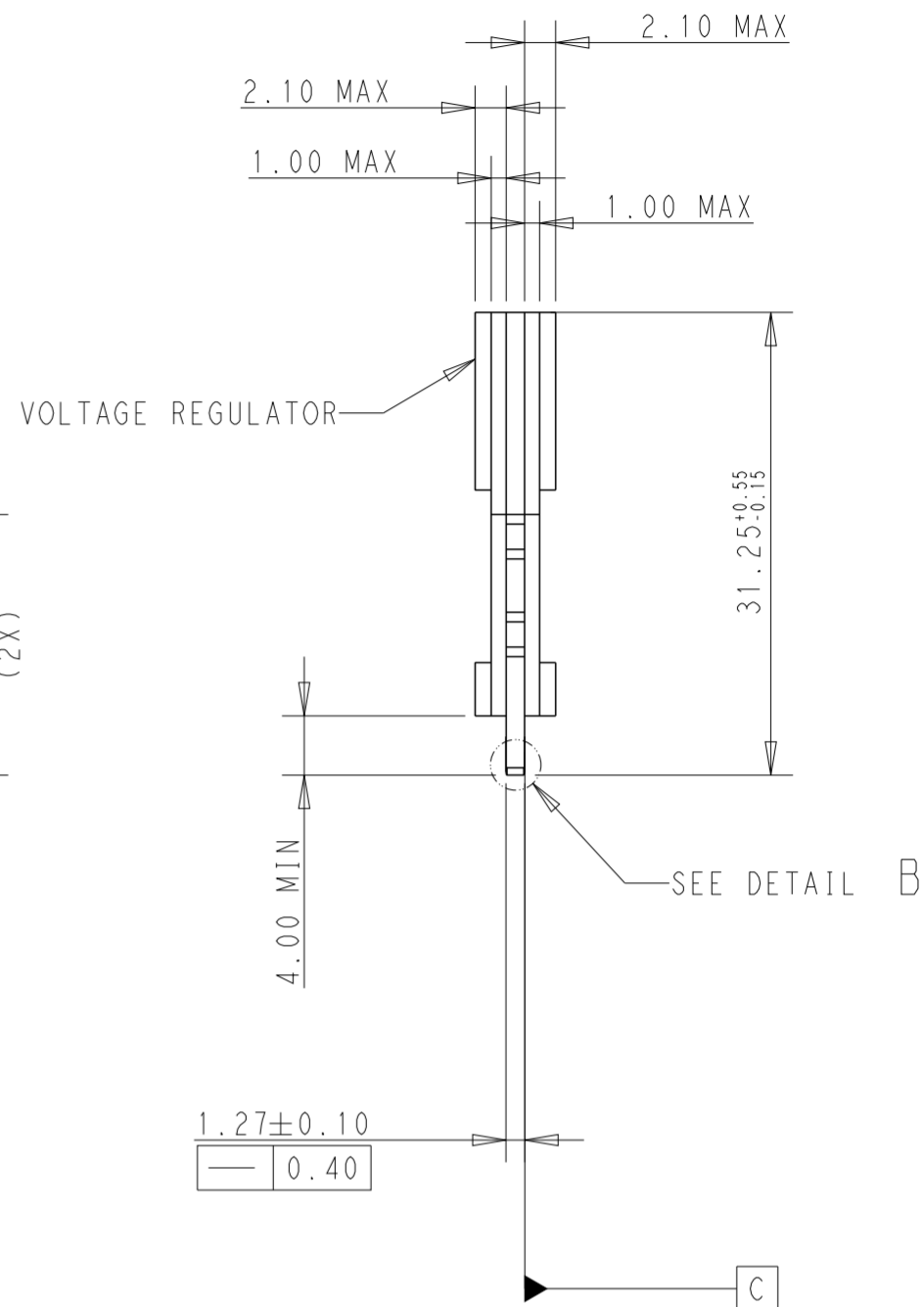
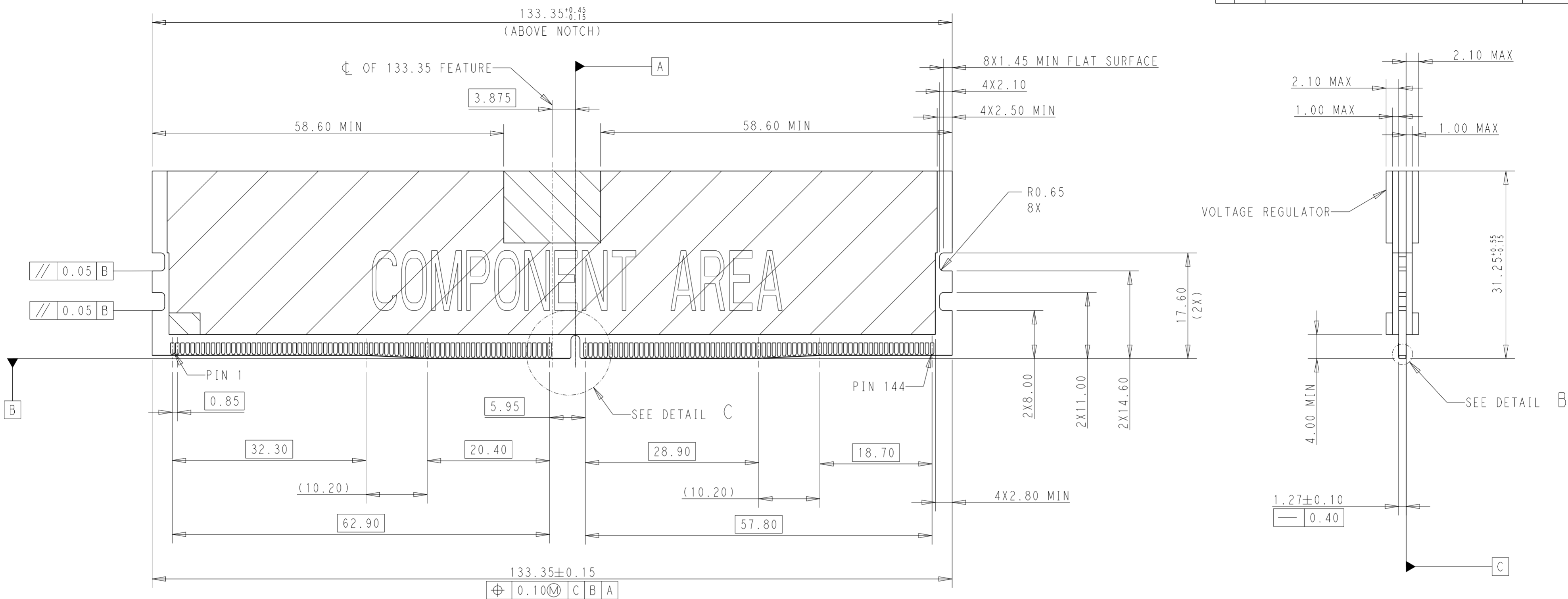


DETAIL A  
 SCALE 8:1

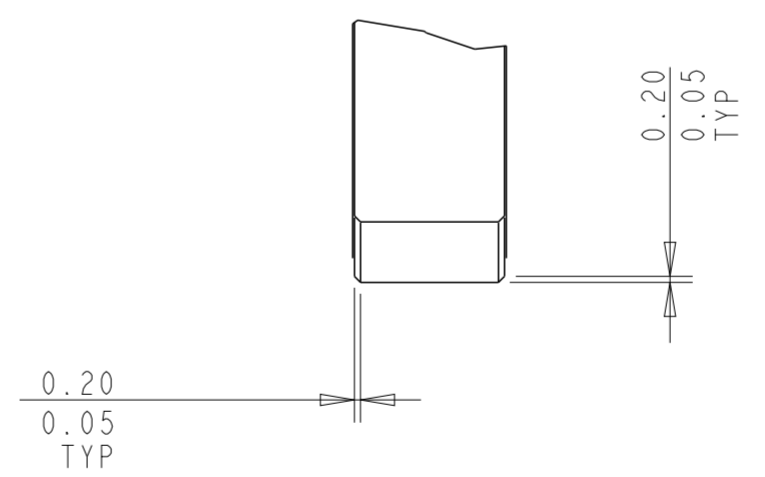
RECOMMENDED PCB LAYOUT  
 VIEWED FROM CONNECTOR SIDE

THIS DRAWING IS A CONTROLLED DOCUMENT.		DWN DAVID ZHAO 22APR2019	TE Connectivity	
DIMENSIONS: mm		CHK -		
TOLERANCES UNLESS OTHERWISE SPECIFIED:		APVD -	NAME SOCKET ASSEMBLY	
0 PLC ±	1 PLC ±0.25	PRODUCT SPEC 108-115141	DDR5 DIMM, SMT TYPE	
2 PLC ±0.15	3 PLC ±0.10	APPLICATION SPEC 114-115044	0.85MM PITCH, 288 POSITION	
4 PLC ±	ANGLES ±2°	WEIGHT -	SIZE A2	CAGE CODE 00779
MATERIAL -	FINISH -	CUSTOMER DRAWING	DRAWING NO C-2355626	RESTRICTED TO -
SCALE 1:1			SHEET 4 OF 6	REV A1

REVISIONS				
P	LTR	DESCRIPTION	DATE	APVD



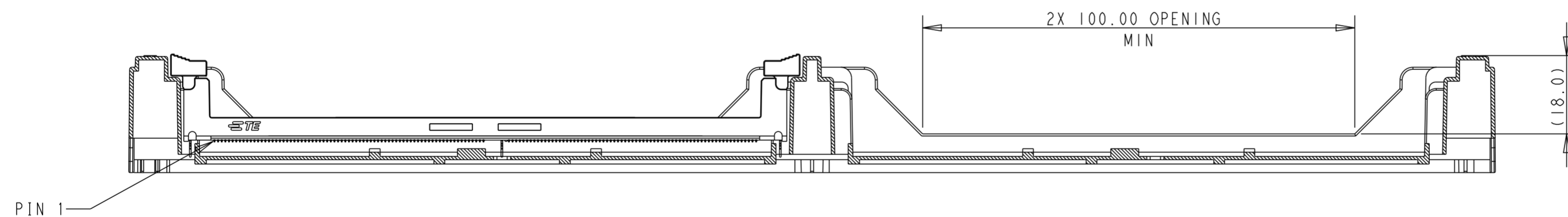
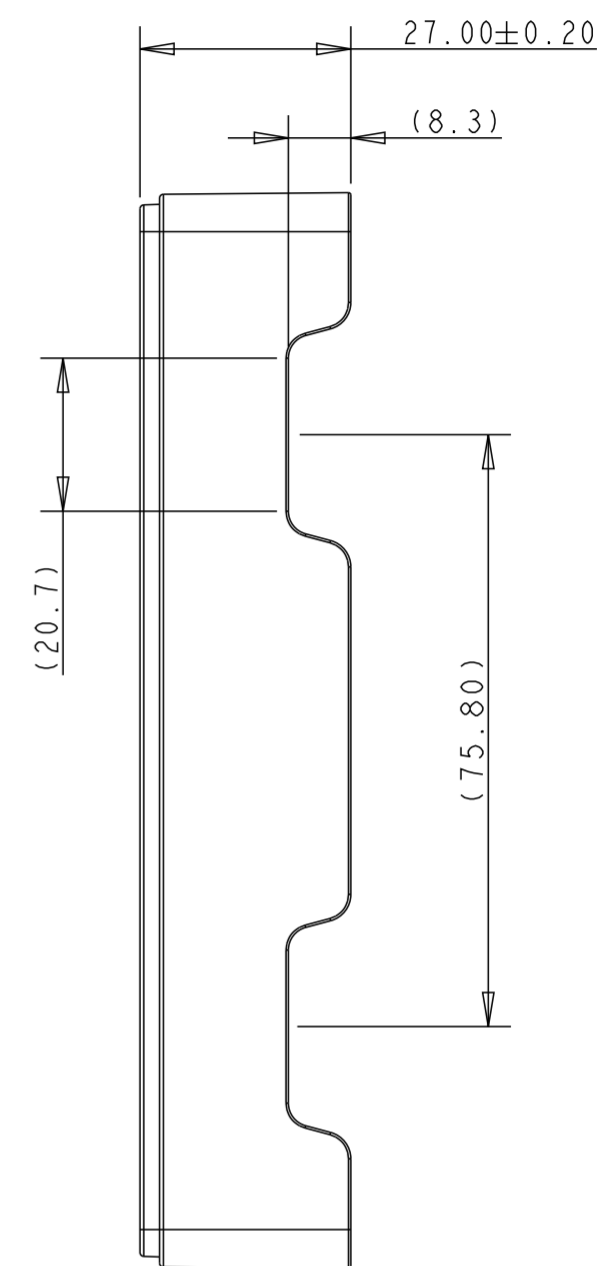
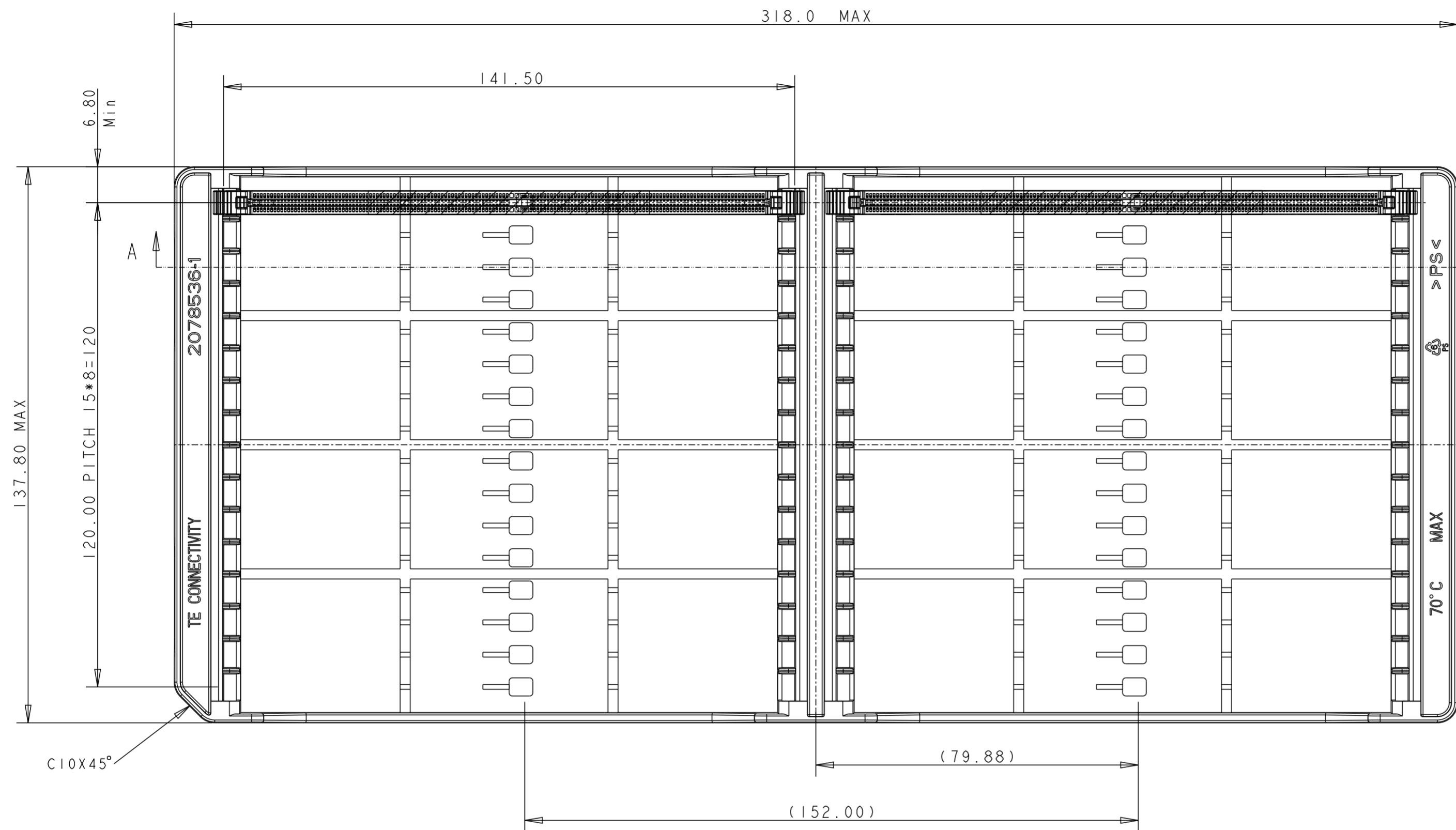
DETAIL C  
SCALE 8:1



DETAIL B  
SCALE 16:1

THIS DRAWING IS A CONTROLLED DOCUMENT.		DWN DAVID ZHAO 22APR2019	TE Connectivity	
DIMENSIONS: mm		CHK -		
TOLERANCES UNLESS OTHERWISE SPECIFIED:		PRODUCT SPEC 108-115141	NAME SOCKET ASSEMBLY DDR5 DIMM, SMT TYPE 0.85MM PITCH, 288 POSITION	
0 PLC ±	1 PLC ±0.25	APPLICATION SPEC 114-115044	SIZE A2	CAGE CODE 00779
2 PLC ±0.15	3 PLC ±0.10	WEIGHT -	DRAWING NO C-2355626	RESTRICTED TO -
4 PLC ±	ANGLES ±2°	CUSTOMER DRAWING	SCALE 1:1	SHEET 5 OF 6
FINISH -	-			REV A1

P	LTR	DESCRIPTION	DATE	DWN	APVD



SECTION A-A

NOTES:

- MATERIALS :  
TRAY: HIPS, COLOR: BLACK  
BOX: CORRUGATED FIBERBOARD
- DIMENSIONS:  
BOX: L=410;W=383;H=340
- QUANTITY:  
32 PCS/TRAY  
640 PCS/BOX
- WEIGHT:  
GROSS WEIGHT: 7.5KG

THIS DRAWING IS A CONTROLLED DOCUMENT.		DWN DAVID ZHAO 22APR2019	TE Connectivity		
DIMENSIONS: mm		CHK -			APVD -
TOLERANCES UNLESS OTHERWISE SPECIFIED: 0 PLC ± 1 PLC ±0.25 2 PLC ±0.15 3 PLC ±0.10 4 PLC ± ANGLES ±2° FINISH		PRODUCT SPEC 108-115141	NAME SOCKET ASSEMBLY DDR5 DIMM, SMT TYPE 0.85MM PITCH, 288 POSITION		
MATERIAL -		APPLICATION SPEC 114-115044	SIZE A2	CAGE CODE 00779	DRAWING NO C-2355626
-		WEIGHT -	RESTRICTED TO -	SCALE 1:1	SHEET 6 OF 6
-		CUSTOMER DRAWING	REV A1		