

ebm-papst Mulfingen GmbH & Co. KG

Bachmühle 2

74673 Mulfingen

Phone: +49 7938 81-0

Fax: +49 7938 81-110

www.ebmpapst.com

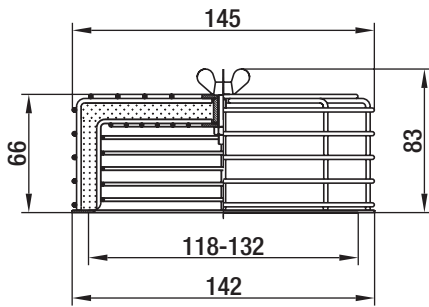
info1@de.ebmpapst.com

Technical features

General description	Viledon Filter Type R, PSB / 29 OS (in accordance with DIN 24185), separation efficiency < 86 %, efficiency < 20 %, dust binding capacity 650 g/m ²
Material	Steel wire or sheet steel, plastic-coated in RAL No. 9005, black

95777-1-5171

Product drawing



Mouser Electronics

Authorized Distributor

Click to View Pricing, Inventory, Delivery & Lifecycle Information:

[ebm-papst:](#)

[95777-1-5171](#) [95779-1-5171](#)