

ABBATRON

Premier Supplier of Electronic Hardware

HH Smith

Custom Capabilities	Test Accessories	Plugs, Jacks, Posts	Connectors	Hardware	Spacers/Standoffs
---------------------	------------------	---------------------	------------	----------	-------------------

- [Home](#)
- [About](#)
- [Abbatron](#)
- [Products](#)
- [Locate](#)
- [Distributor](#)
- [or](#)
- [Representative](#)
- [Contact Us](#)
- [Request](#)
- [Information](#)
- [Site Map](#)

Printed Circuit Test Jacks

- Description: Double entry design; probe inserts at either end of jack. Accepts probes no longer than .084", contacts down to .074". Closed bottom construction keeps jack from fouling with solder or flux. Locking ears hold jack firmly to board until soldered. Premise dimensions allow automated assembly to boards.

- Body is molded Nylon per MIL-P-20693
- Beryllium Copper Spring
- Mounts into .052" Holes
- Data:

Insertion force: 30 oz. max.

Withdraw force: 8 oz. min with .080" probe.

- Ratings: Operating Voltage 1500 Volts., 60 cps RMS, Sea level. 350 Volts, 60 cps RMS at 50,000 feet. 5 AMP AC max. current rating
- Contact resistance: 20 Millivolt drop maximum at specified current at 25°C
- Color: add color number as suffix to part number:
-101 White -102 Red -103 Black -104 Green -105 Blue -107 Yellow

Inventory Search

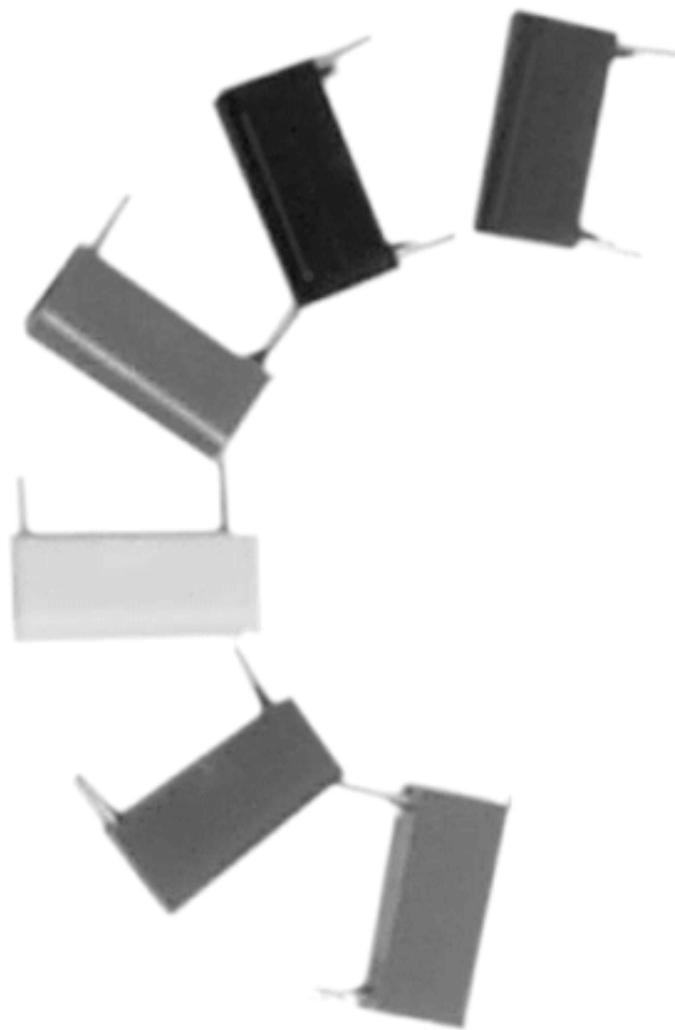
Cross Reference

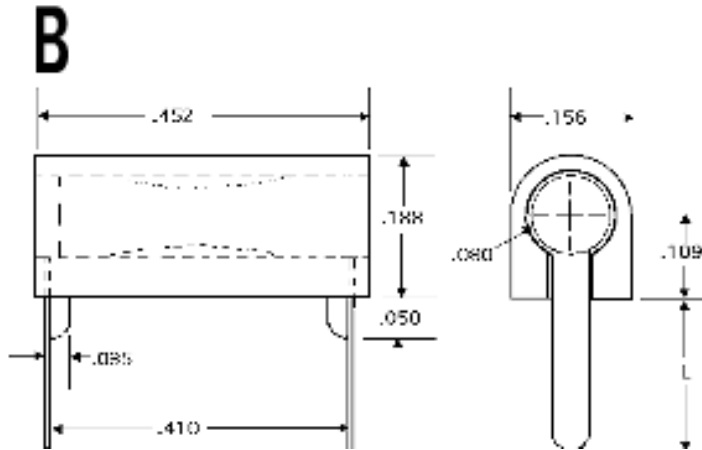
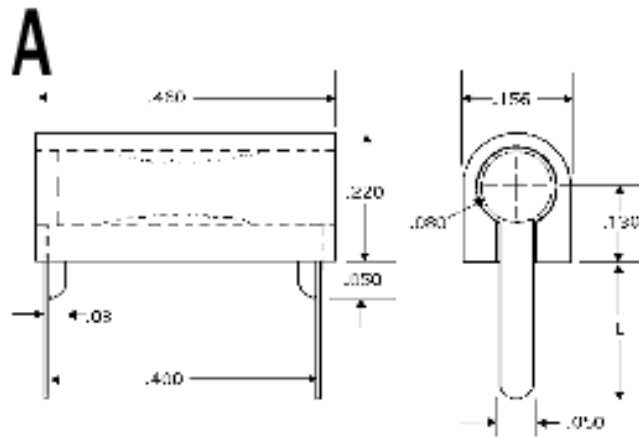
UPS Tracking

632 Arch Street, POB
726 Meadville, PA 16335
USA 814-724-6440

[Contact Webmaster](#)

© June 6, 2005





PART NO.	ILLUS.	LENGTH	FINISH	BOARD THKNS
325	A	.130	Gold	1/16
321	B	.219	Gold	1/8
430	C	.203	Gold	3/19