

ABBATRON

Premier Supplier of Electronic Hardware

HH Smith

[Custom Capabilities](#) [Test Accessories](#) [Plugs, Jacks, Posts](#) [Connectors](#) [Hardware](#) [Spacers/Standoffs](#)

[Test Leads](#)

[Test Lead Kits](#)

[Oscilloscope Probes](#)

[Jumpers](#)

[Patch Cords](#)

[Test Prods](#)

[Alligator Clips](#)

[Test Lead Attachments](#)

[Dual Instrument Test Adapters](#)

[Insulated Binding Posts](#)

[Insulated Banana Plugs](#)

[Uninsulated Banana Plugs](#)

[Insulated Banana Jacks](#)

[Uninsulated Banana Jacks](#)

[Insulated Tip Plugs](#)

[Metal Tip Plugs](#)

[Test Jacks](#)

[Printed Circuit Test Jacks](#)

[BNC Receptacles](#)

[Standard Phono Plugs](#)

[Phono Jacks](#)

[F-Type Connectors](#)

[Coaxial Antenna Connectors](#)

[Terminal Strip Boards](#)

[Solder Lugs and Terminals](#)

[Screws, Nuts, and Washers](#)

[Grommets, Bumpers and Chassis Feet](#)

[Cable Clamps and Strain Relief](#)

[Hole Plugs](#)

[Instrument Cases](#)

[Handles](#)

[Shaft Accessories](#)

[High Voltage Insulators](#)

[Brass Spacers & Standoffs](#)

[Brass Swivel Standoffs](#)

[Brass Chassis Fasteners](#)

[Aluminum Spacers & Standoffs](#)

[PC Board Supports](#)

[Nylon Spacers & Standoffs](#)

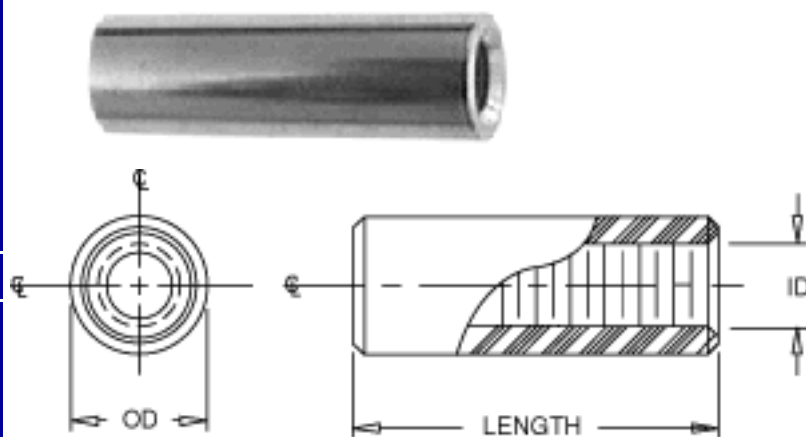
[Phenolic Spacers & Standoffs](#)

[Ceramic Standoffs](#)

- [Home](#)
- [About Abbatron](#)
- [Products](#)
- [Locate Distributor or Representative](#)
- [Contact Us](#)
- [Request Information](#)
- [Site Map](#)

Nylon Round Threaded Standoffs

- An excellent insulator, the nylon spacer's surface lubricity allows wires to be routed against spacer without fear of chafing the insulation
- Molded Nylon threads are precise and will withstand torque without stripping
- Natural (milky white) finish



Inventory Search

Cross Reference

UPS Tracking

632 Arch Street, POB
726 Meadville, PA 16335
USA

814-724-6440

[Contact Webmaster](#)

© 2006

| LENGTH | | O.D. | #4-40 | #6-32 | #8-32 | #10-32 |
|--------|-----|------|-------|-------|-------|--------|
| .250 | 1/4 | 1/4 | 4050 | 4051 | 4052 | |
| | | 5/16 | | | 4071C | |
| | | 3/8 | | | | 4072C |
| .375 | 3/8 | 1/4 | 4053 | 4054 | 4055 | |
| | | 5/16 | | | 4071E | |
| | | 3/8 | | | | 4072E |
| .500 | 1/2 | 1/4 | 4056 | 4057 | 4058 | |
| | | 5/16 | | | 4071G | |
| | | 3/8 | | | | 4072G |
| .625 | 5/8 | 1/4 | 4050J | 4051J | | |
| | | 5/16 | | | 4071J | |
| | | 3/8 | | | | 4072J |
| .750 | 3/4 | 1/4 | 4059 | 4060 | 4061 | |
| | | 5/16 | | | 4071L | |
| | | 3/8 | | | | 4072L |
| .875 | 7/8 | 1/4 | 4050N | 4051N | | |
| | | 5/16 | | | 4071N | |
| | | 3/8 | | | | 4072N |
| 1.000 | 1 | 1/4 | 4062 | 4063 | 4064 | |
| | | 5/16 | | | 4071Q | |
| | | 3/8 | | | | 4072Q |

[home](#) | [about abbatron](#) | [products](#) | [locate distributor or representative](#) | [contact us](#) | [request information](#) | [site map](#)