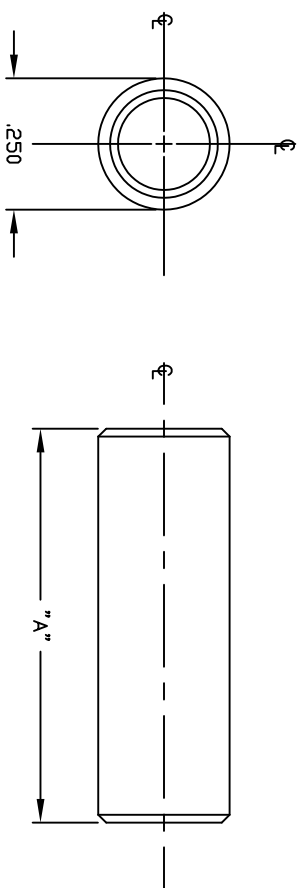
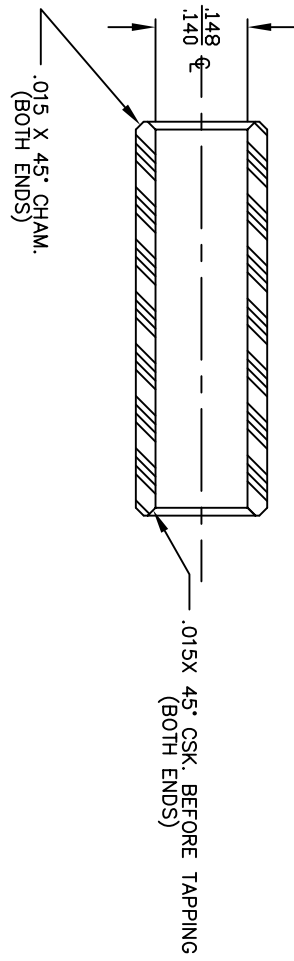


| REVISIONS | | | |
|-----------|-------------|------------|------|
| SYM | DESCRIPTION | REVISED BY | DATE |
| | | | |



| SPACERS | |
|----------|---------|
| PART NO. | DIM "A" |
| 8701 | .125 |
| 8704 | .187 |
| 2100 | .250 |
| 8707 | .312 |
| 2101 | .375 |
| 8710 | .437 |
| 2102 | .500 |
| 8713 | .562 |
| 8716 | .625 |
| 8719 | .687 |
| 2103 | .750 |
| 8722 | .812 |
| 8725 | .875 |
| 8728 | .937 |
| 2104 | 1.000 |

| | | | |
|--|---------------|---------------------------------------|----------------|
| MATERIAL BRASS 360 1/2 HARD | | FINISH | NICKEL |
| DIMENSIONAL TOLERANCES | | | |
| UNLESS OTHERWISE SPECIFIED | | | |
| XX | .XXX | .XXXX | |
| --- | --- | --- | --- |
| FRACTIONS | ANGLES | SCALE | |
| --- | --- | --- | --- |
| HEAT TREAT NONE | | | |
| PLOT SCALE 1=1 | | | |
| TITLE | | BRASS ROUND 1/4" SPACERS #6 CLEARANCE | |
| DRAWN: T. LORD | DATE 02/10/03 | SIZE | DRAWING NUMBER |
| CHECKED: T. LORD | DATE 02/10/03 | B | SMP-00416 |
| APPROVED: T. LORD | DATE 02/10/03 | A | ISSUE |
| ABBATRON Electronic Connectors and Hardware 632 Arch Street, Meadville, Pa. 16335 | | | |