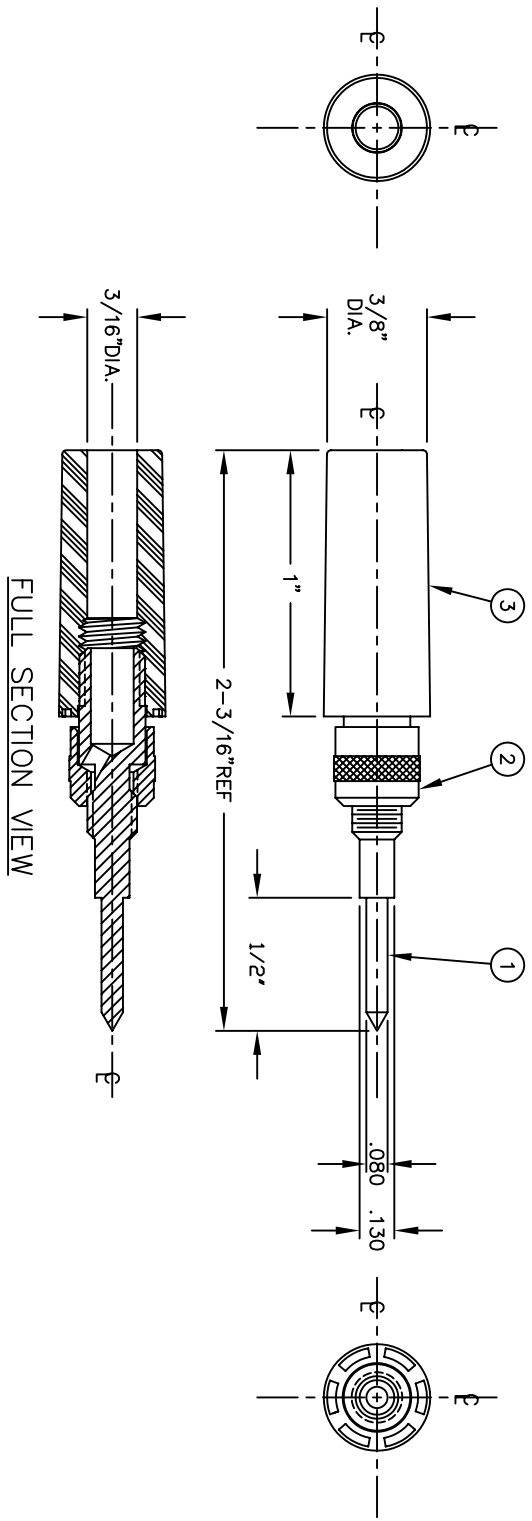


BILL OF MATERIALS				
DET.	QTY.	DESCRIPTION	MATERIAL	FINISH
1	1	BODY	BRASS	NICKEL
2	1	SLEEVE	BRASS	NICKEL
3	1	HANDLE	NYLON	-

REVISIONS			
SYM	DESCRIPTION	REVISED BY	DATE APPR



TIP PLUG ASSEMBLY			
PART NO.	FINISH	CID NO.	
200-101	WHITE		
200-102	RED	AA55469/5-02	(A)
200-103	BLACK	AA55469/5-01	(A)
200-104	GREEN		
200-105	BLUE		
200-107	YELLOW		

MATERIAL: SEE TABLE	FINISH: SEE TABLE	ABBATRON Electronic Connectors and Hardware 632 Arch Street, Meadville, Pa. 16335
DIMENSIONAL TOLERANCES UNLESS OTHERWISE SPECIFIED .XX .XXX .XXXX .SCALE		
FRACTIONS ANGLES --- --- 4:1		
HEAT TREAT: --- DRAWN: E. MCKINNEY DATE: 12-21-98 CHECKED: E. MCKINNEY DATE: 12-21-98 APPROVED: DATE:		
PLOT SCALE: 1=1	SIZE: B	DRAWING NUMBER: 200
		ISSUE: A