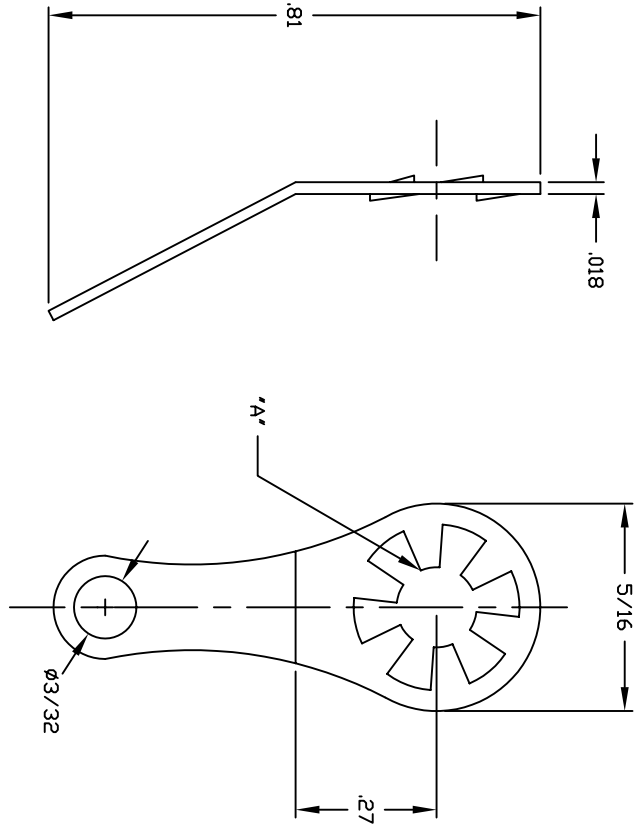


REVISIONS		REVISED	DATE	APPR
SYM	DESCRIPTION			



LUG TABLE		
PART NO.	QUANTITY	"A" DIM.
1414-04	4	.120
1414-06	6	.144
1414-08	8	.169

MATERIAL BRASS 260 1/2 HARD		FINISH	ELECTRO TIN
DIMENSIONAL TOLERANCES		TITLE	
UNLESS OTHERWISE SPECIFIED		1414-04, 06, 08	
.XX	.XXX	SOLDER	
---	---	LUG	
FRACTIONS	ANGLES	SCALE	4X
HEAT TREAT	---	DRAWN	T. LORD
PLLOT SCALE	1=1	CHECKED	T. LORD
		APPROVED	T. LORD
		DATE	2/1/05
		DATE	2/1/05
		SIZE	B
		DRAWING NUMBER	SD: 1414-0X
		ISSUE	---

ABBATRON
Electronic Connectors and Hardware
632 Arch Street, Meadville, Pa. 16335