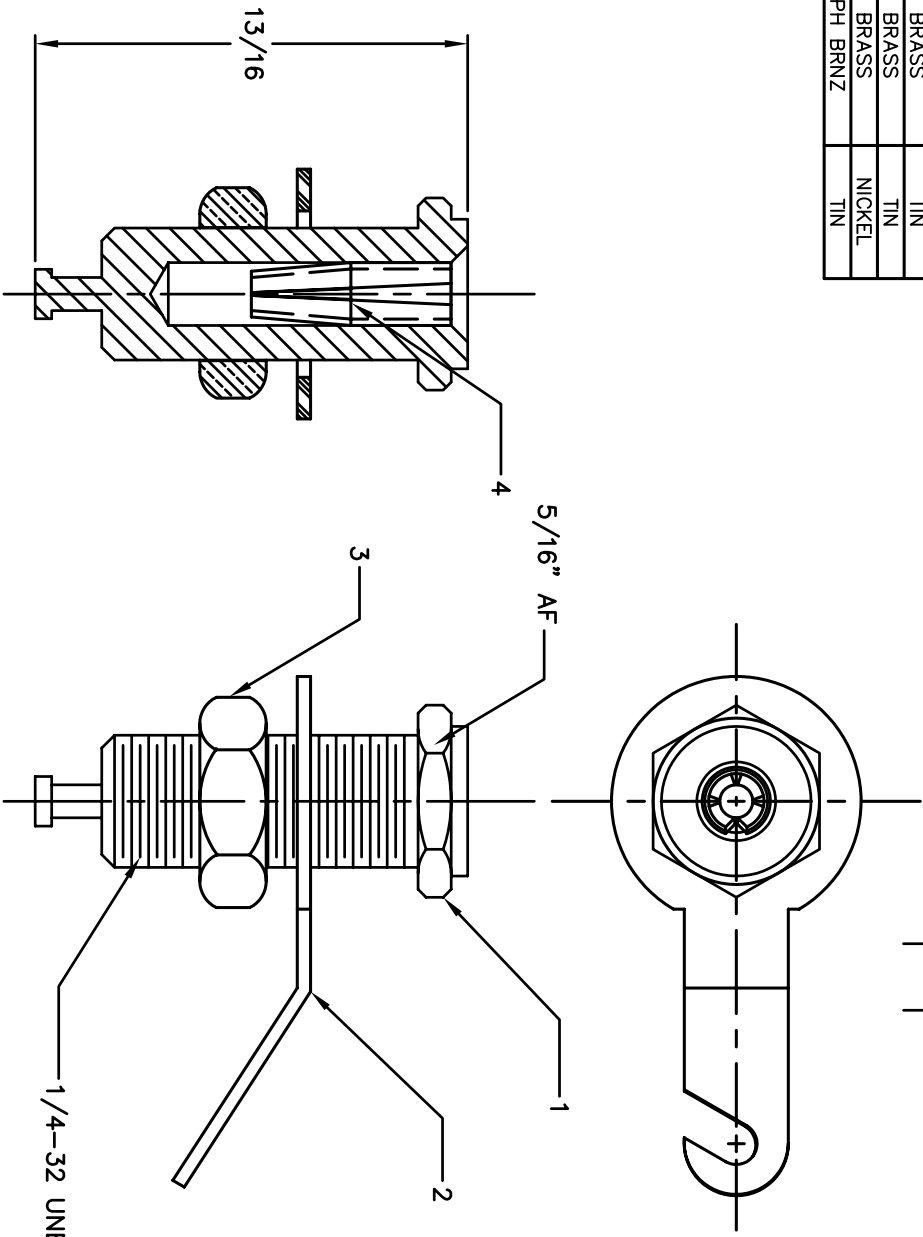


BILL OF MATERIALS				
DET.	QTY.	DESCRIPTION	MATERIAL	PLATING
1	1	BODY	BRASS	TIN
2	1	LUG	BRASS	TIN
3	1	NUT	BRASS	NICKEL
4	1	CONTACT	PH BRNZ	TIN

REVISIONS		
SYM	DESCRIPTION	REVISED DATE APPR



MATERIAL: SEE BOM		FINISH: SEE BOM		HEAT TREAT: ---	
DIMENSIONAL TOLERANCES UNLESS OTHERWISE SPECIFIED		TITLE: 107			
XX	XXX	XXX	XXX	TIP JACK FOR .080 PLUG	
---	---	---	---	Electronic Connectors and Hardware	
---	---	---	---	13680 S. MOSERTOWN RD	
---	---	---	---	MEADVILLE, PA 16335	
---	---	---	---	SIZE: A	DRAWING NUMBER: SD-107
---	---	---	---	ISSUE: D	
SURFACE FINISH: 125		.002		DRAWN: T. LORD DATE: 6/12/06	
CHECKED: T. LORD DATE: 6/12/06		APPROVED: T. LORD DATE: 6/12/06			

THIS DRAWING AND THE INFORMATION THEREIN IS THE PROPERTY OF ABBATRON, LLC. ANY REPRODUCTION THEREOF IS PROHIBITED.