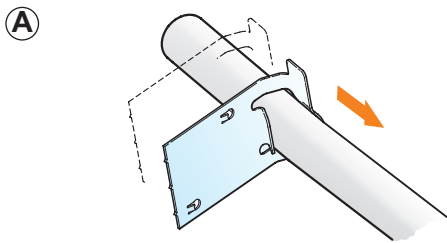


# EtherCon<sup>®</sup>

## Ruggedized RJ45 Data Connector Chassis type with cable termination

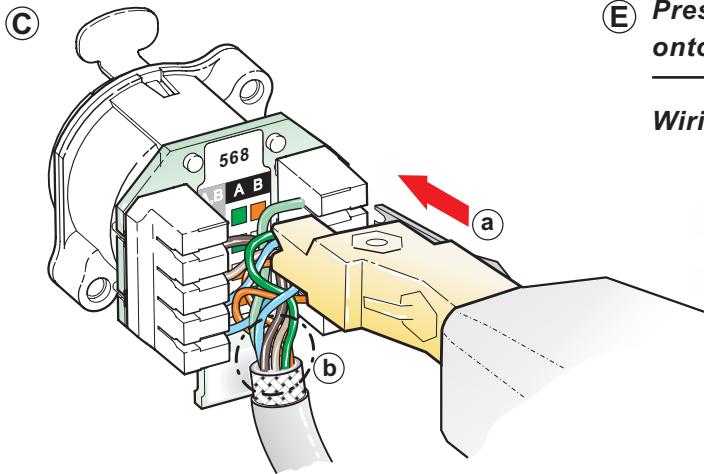
### Assembly Instructions



**(A)** Slide the plate onto the cable.



**(B)** Strip cable according to figure.



**(C)** **(a)** Terminate the wires with proper punch-down tool.  
- Krone tool for NE8FAV-YK  
- 110-tool for NE8FAV-Y110

**(b)** Take care that the untwisting of pairs does not exceed 13 mm.

**(D)** Position the plate on the connector with cable shield contacting the dedicated pcb area.

**(E)** Press down until the latches of the mount plate fix onto the connector pins.

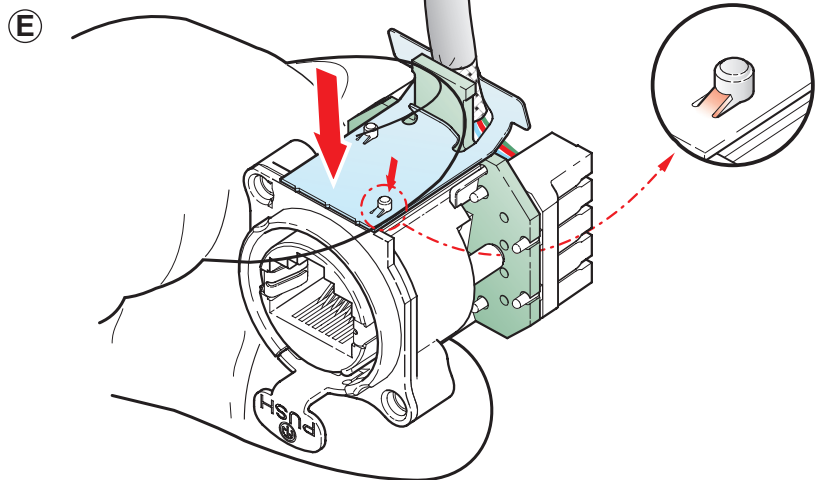
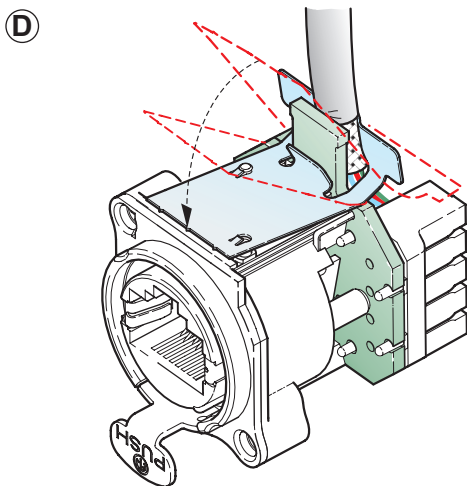
Wiring:



TIA 568A

TIA 568B

TIA 568A		TIA 568B	
Wi/Br	Gr	Wi/Br	Or
Br	Wi/Gr	Br	Wi/Or
Wi/BI	Wi/Or	Wi/BI	Wi/Gr
BI	Or	BI	Gn



**NEUTRIK AG**  
Liechtenstein

Tel.: +423/237 24 24  
Fax: +423/232 53 93  
[www.neutrik.com](http://www.neutrik.com)

**NEUTRIK Zürich AG**  
Switzerland

Tel.: +41 1/736 5010  
Fax: +41 1/736 5011

**NEUTRIK (UK) Ltd.**  
Great Britain

Tel.: +44 1983/811 441  
Fax: +44 1983/811 439

**NEUTRIK USA INC.**  
USA

Tel.: +1 732/901 9488  
Fax: +1 732/901 9608

**NEUTRIK Tokyo Ltd.**  
Japan

Tel.: +81 3/3663 4733  
Fax: +81 3/3663 4796

**NEUTRIK Vertriebs GmbH**  
Germany / Netherlands

Tel.: +49 8131/28 08-0  
Fax: +49 8131/28 08-30

Draft Nr.: BDA 110 / 3102M1141  
Update: 01.07.2002



**NEUTRIK<sup>®</sup>**  
CONNECTING THE WORLD

Data subject to change without prior notice. ©2002 NEUTRIK<sup>®</sup>. ALL RIGHTS RESERVED.