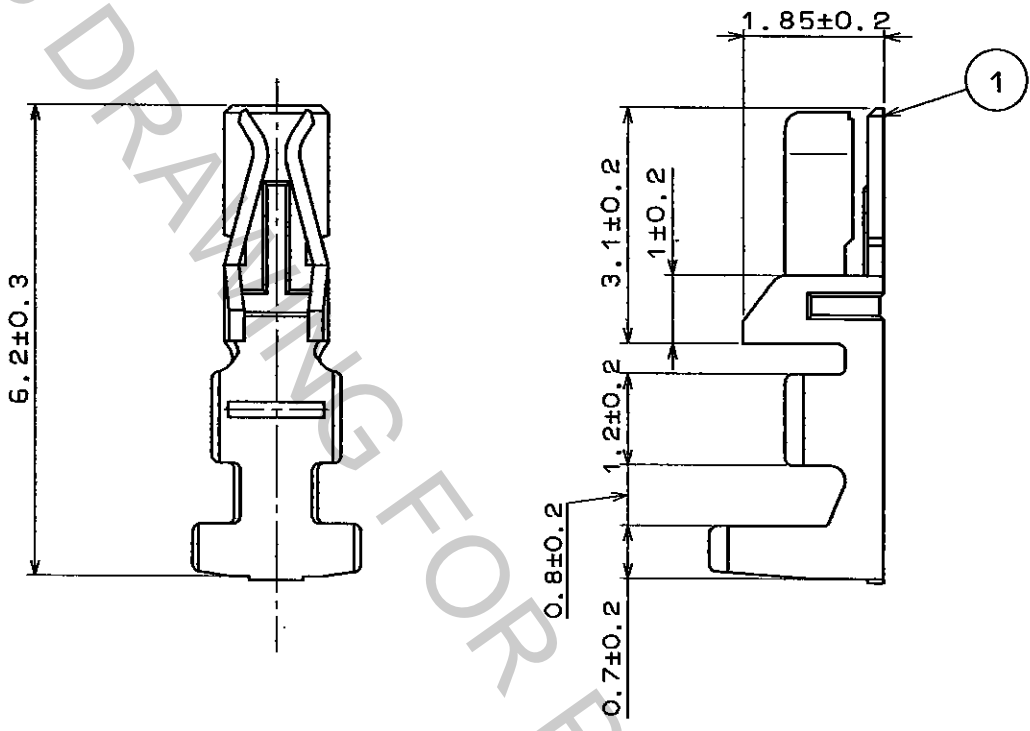
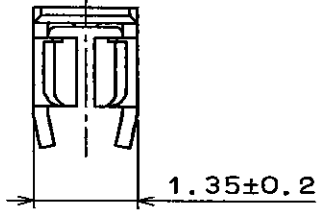


Jun.1.2018 Copyright 2018 HIROSE ELECTRIC CO., LTD. All Rights Reserved.
 In case of consideration for using Automotive equipment/
 device which demand high reliability, kindly contact our sales window correspondents.

1					2					3					4				
COUNT	DESCRIPTION OF REVISIONS				BY	CHKD	DATE	COUNT	DESCRIPTION OF REVISIONS				BY	CHKD	DATE				
△							..	△							..				
△							..	△							..				
△							..	△							..				



NOTE 1. 100 CONNECTORS ARE IN ONE PACK.

NO.		MATERIAL		FINISH . REMARKS		1	PHOSPHOR BRONZE	TIN PLATED	
CODE NO. (OLD)		DRAWN		DESIGNED		CHECKED		APPROVED	RELEASED
		<i>J. Miyajoshi</i>		<i>J. Miyajoshi</i>		<i>J. Onda</i>		<i>H. Yamamoto</i>	
		'96.1.22		'96.1.22		'96.1.22		'96.1.24	
DRAWING NO.		PART NO.		CODE NO.		1		1	
EDC4-020865		DF11-2428SC		CL543-0501-5					
UNITS		HIROSE ELECTRIC CO., LTD.							
mm		HRS							

TO

