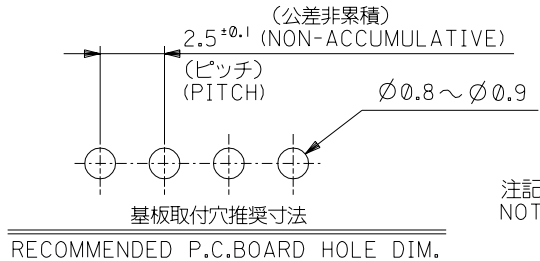
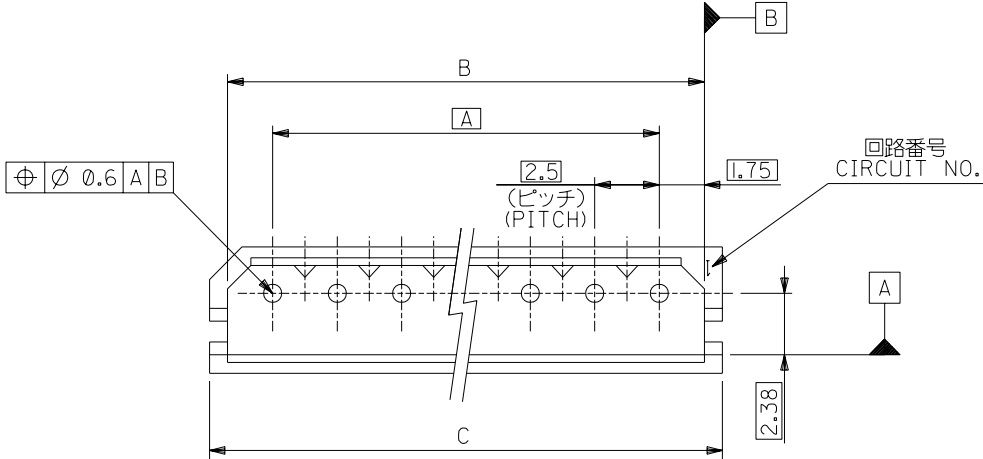
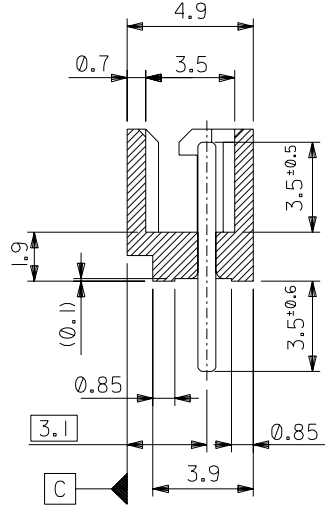
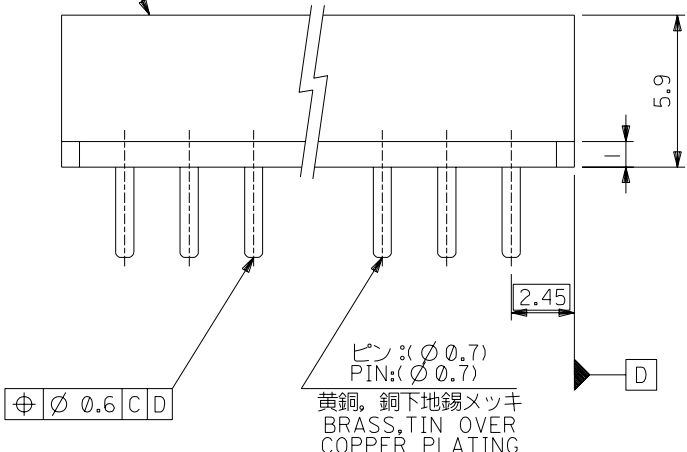


DWG. NO. SD-5267-NA



注記 NOTES:
 1. 嵌合相手: 5264 シリーズ
 MATES WITH: 5264 SERIES.

ウエハー: 66ナイロン。ガラス入り, UL 94V-0
 WAFER: 66NYLON, GLASS REINFORCED, UL 94V-0



| | | | | | |
|------|------|------|------------|----------|------------------|
| 39.9 | 38.5 | 35 | 22-03-5155 | 5267-15A | 15 |
| 37.4 | 36 | 32.5 | -5145 | -14A | 14 |
| 34.9 | 33.5 | 30 | -5135 | -13A | 13 |
| 32.4 | 31 | 27.5 | -5125 | -12A | 12 |
| 29.9 | 28.5 | 25 | -5115 | -11A | 11 |
| 27.4 | 26 | 22.5 | -5105 | -10A | 10 |
| 24.9 | 23.5 | 20 | -5095 | -09A | 9 |
| 22.4 | 21 | 17.5 | -5085 | -08A | 8 |
| 19.9 | 18.5 | 15 | -5075 | -07A | 7 |
| 17.4 | 16 | 12.5 | -5065 | -06A | 6 |
| 14.9 | 13.5 | 10 | -5055 | -05A | 5 |
| 12.4 | 11 | 7.5 | -5045 | -04A | 4 |
| 9.9 | 8.5 | 5 | -5035 | -03A | 3 |
| 7.4 | 6 | 2.5 | 22-03-5025 | 5267-02A | 2 |
| C | B | A | EDP NO. | ENG.NO. | 極数 NO OF CKT. |

| | | | | | | | | |
|-------------------------|-------|-------------------------|----------------------|----------|----------|-------------------------------|----------------------------|--|
| 角度 ANGLE | ±3° | | | | | 材料 MATERIAL | — / — | MOLEX-JAPAN CO.,LTD. 日本モレックス株式会社 REVISE ONLY ON CAD SYSTEM TITLE 名称 2.5 LOW PROFILE WAFER ASS'Y |
| 30以上 OVER | +0.3 | B 変更 REVISIED (JC60688) | n.h | Y.M | 96/3/26 | 仕上げ FINISH | — / — | |
| 10以上 OVER 30未下 UNDER | +0.25 | A 変更 (J10590) | K.T | H.H | 91/7/26 | 適用電線範囲 WIRE RANGE | — / — | |
| 10未下 UNDER | +0.2 | 0 新規作成 (J80546) | Y.M | H.H | 96/20/88 | 被覆外径 INS. RANGE | — / — | |
| 一般公差 GENERAL TOLERANCES | | 記号 LTR | 変更内容 REVISION RECORD | DR. CHK. | 日付 DATE | DRAWN BY 6/20/88 Y.MIZUNO | CHK'D BY 96/03/26 Y.MIZUNO | DWG. NO. SD-5267-NA |
| | | | | | | APP'D BY 96/03/26 M.FUKUSHIMA | 尺度 SCALE 5:1 | REV B |