

4

3

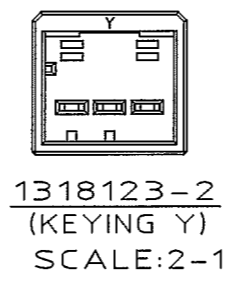
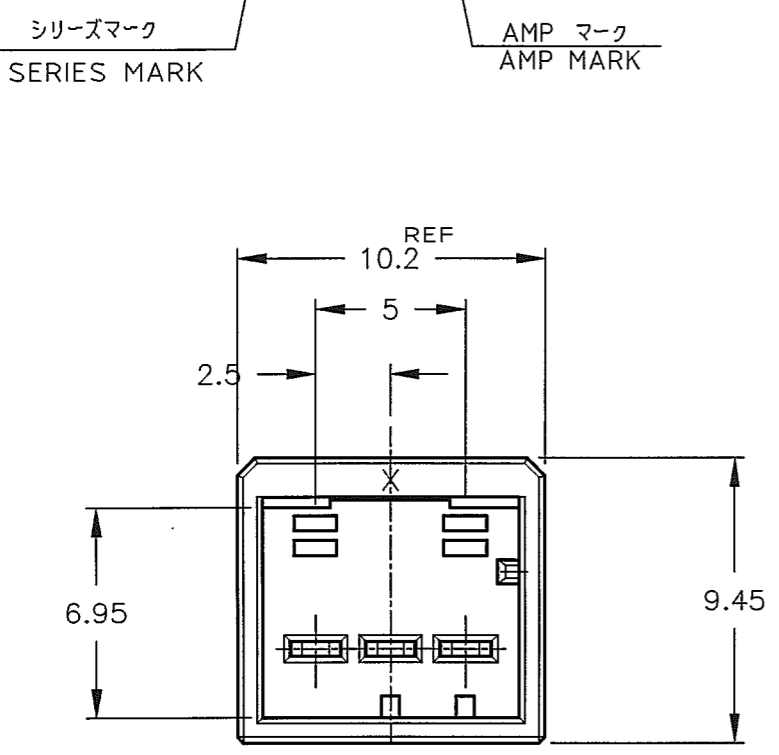
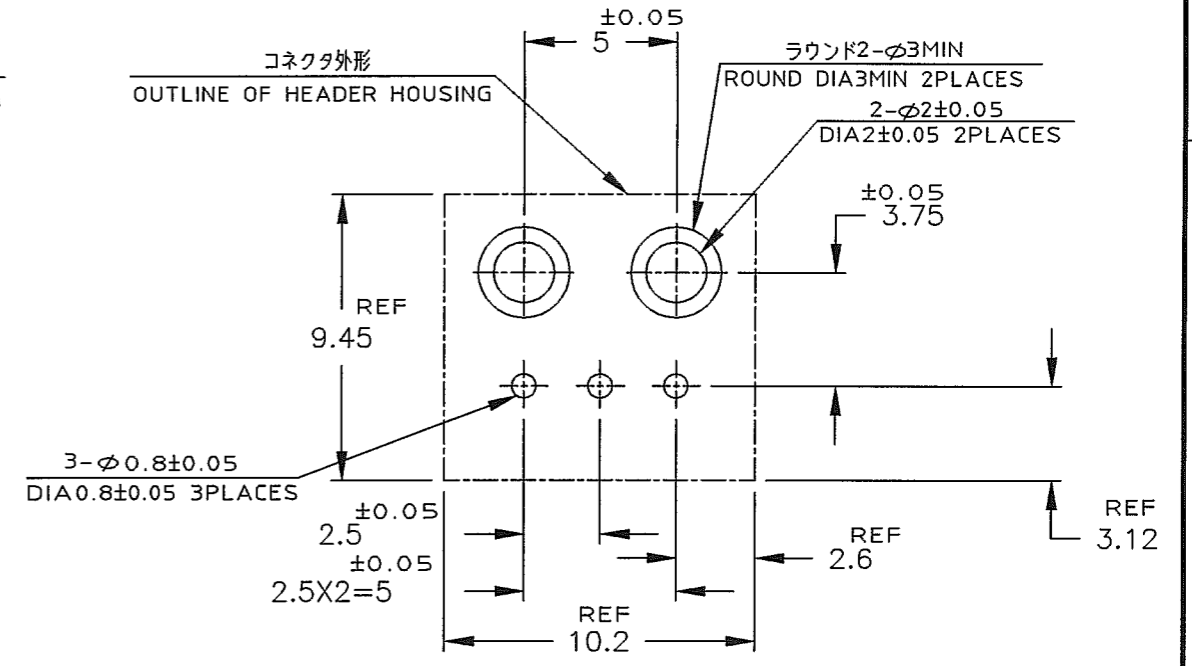
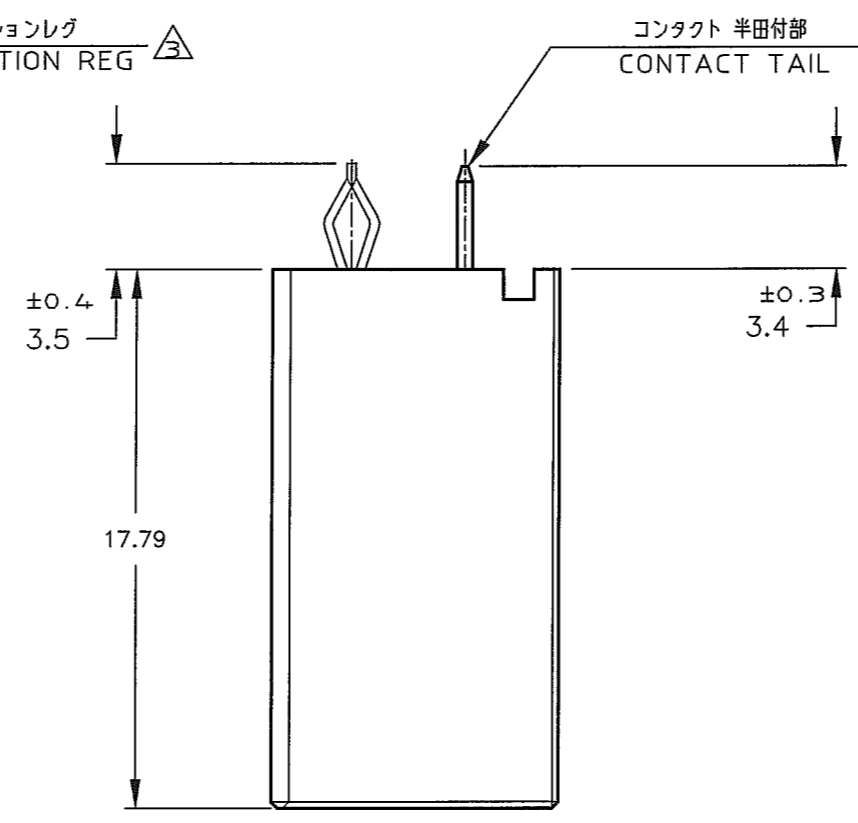
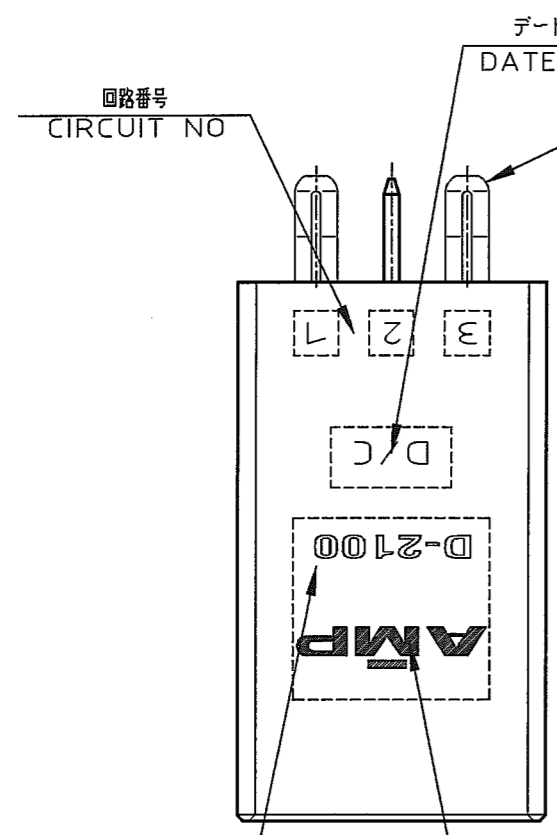
2

1

THIS DRAWING IS UNPUBLISHED. RELEASED FOR PUBLICATION ,1998  
 © COPYRIGHT 1998 BY AMP INCORPORATED. ALL RIGHTS RESERVED.

LOC J  
 DIST

REVISIONS					
P	LTR	DESCRIPTION	ECN	DATE	DWN APVD
0		RELEASED	FJ00-1421-98	7/DEC 98	K.I.H.
A		REVISED	FJ00-1080-00	2/SEP 00	Y.K.S.M.
B		REVISED	FJD0-0039-03	2/JUN 03	T.S.S.M.
B1		REVISED	ECR-05-000483	24/MAR/05	T.S.d.M.



推奨基板取付け穴寸法 (公差:±0.05)  
 PC 基板厚:1.6±0.3 (コネクタ搭載面)  
 RECOMENDED PC BOARD HOLE PATTERN(TOL:±0.05)  
 PC BOARD THICKNESS:1.6±0.3 (CONNECTOR MOUNT SIDE)

NOTES  
 1. MATERIAL:HOUSING:GLASS FILED THERMO PLASTIC POLYESTER(94V-0),COLOR:BLACK  
 TAB CONTACT:COPPER ALLOY  
 RETENTION LEG:BRASS  
 △ FINISH(CONTACT AREA):0.38μmMIN GOLD PLATING OVER Ni PLATING  
 △ FINISH(RETENTION LEG): TIN PLATED (CONTACT TAIL) OVER NICKEL

注記  
 1. 材料:ハウジング: ガラス入り熱可塑性ポリエステル樹脂 (94V-0),色:黒  
 タブ コンタクト:銅合金  
 リテンション レグ:黄銅  
 △ めっき:コンタクト: 全面Ni下地 接触部:0.38μm MIN金めっき  
 △ めっき:リテンションレグとコンタクト半田付部: ニッケル下地の上にスズめっき

1318123-1 (KEYING X)

THIS DRAWING IS A CONTROLLED DOCUMENT FOR AMP INCORPORATED. IT IS SUBJECT TO CHANGE AND THE CONTROLLING ENGINEERING ORGANIZATION SHOULD BE CONTACTED FOR THE LATEST REVISION.		DWN 7/DEC/'98 K.IKEDA		Tyco Electronics AMP K.K. Kawasaki, Japan	
DIMENSIONS: 単位 特 mm		CHK 7/DEC/'98 N.MATSUBARA		NAME 1列 ヘッダーアセンブリー 3P	RESTRICTED TO
TOLERANCES UNLESS OTHERWISE SPECIFIED: 一般公差 1φ : ±0.3 3φ : >10 : ±0.35 10φ : >30 : ±0.4 ANGLE : ±3'		APVD 7/DEC/'98 I.HASEGAWA	PRODUCT SPEC 108-5619	SINGLE ROW HEADER ASS'Y 3P ("V"TYPE) <DYNAMIC D-2100D>	
MATERIAL 注記参照 SEE NOTES		APPLICATION SPEC 114-5258	WEIGHT	SIZE A3	CAGE CODE 00779
FINISH 注記参照 SEE NOTES		DRAWING NO C-1318123		SCALE 4-1 SHEET 1 OF 2 REV B1	
CUSTOMER DRAWING					

4

3

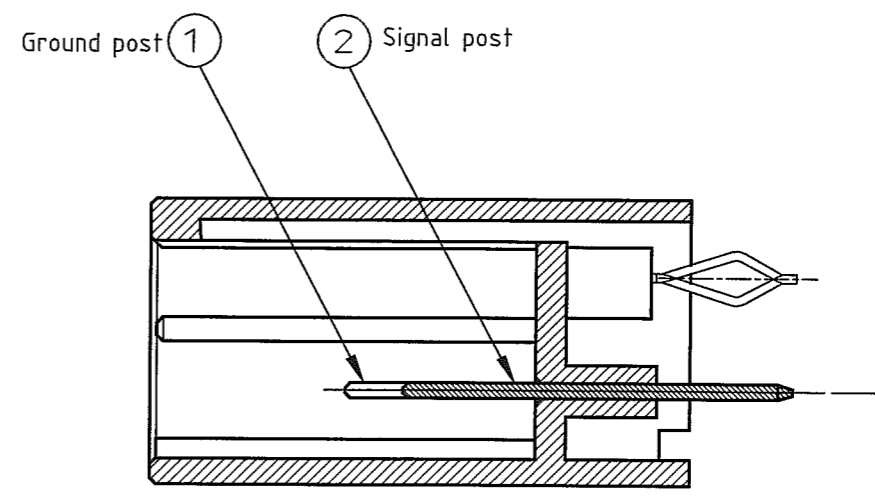
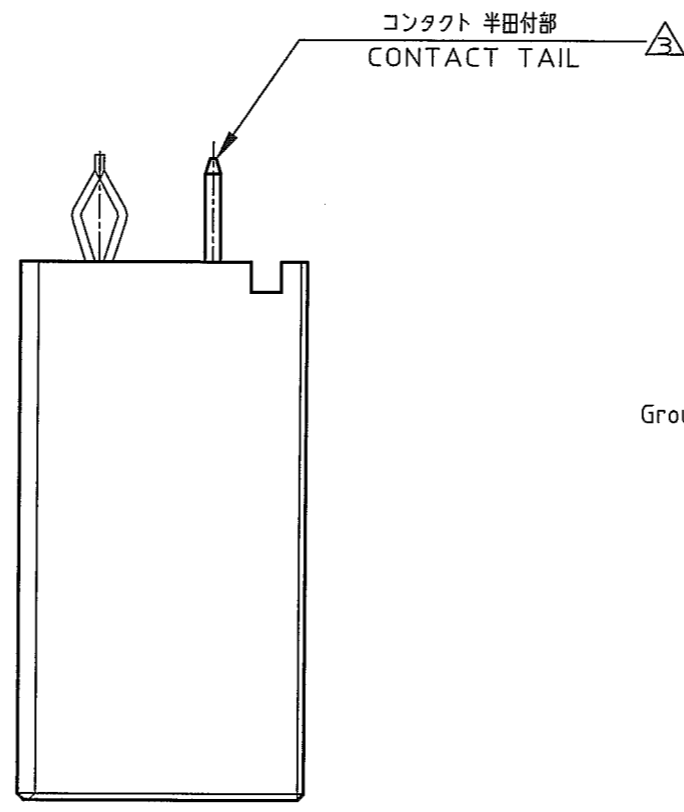
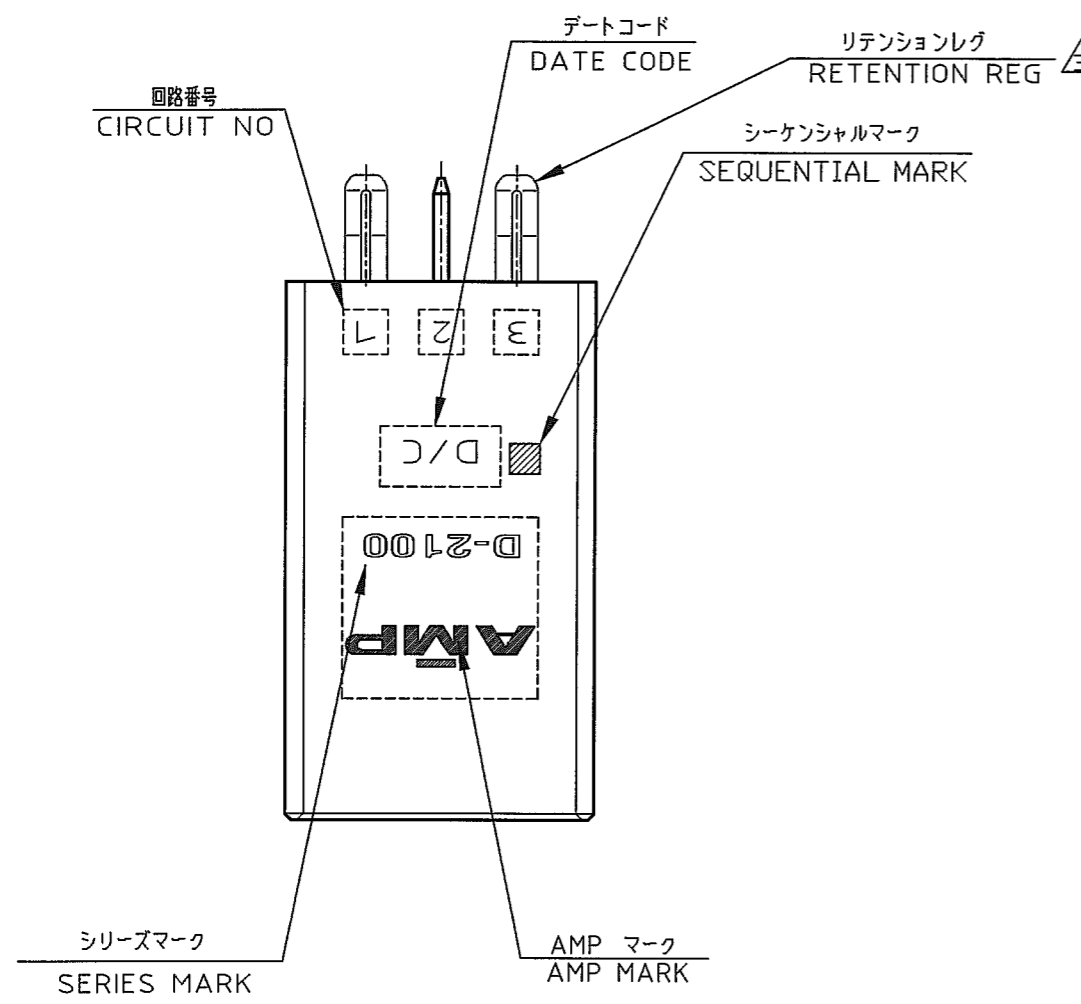
2

1

THIS DRAWING IS UNPUBLISHED. RELEASED FOR PUBLICATION ,1998  
 © COPYRIGHT 1998 BY AMP INCORPORATED, ALL RIGHTS RESERVED.

LOC		DIST		REVISIONS						
J				変更		DESCRIPTION	ECN	DATE	DWN	APVD
				P	LTR	SEE 1 OF 2				

1-1318123-1; AS SHOWN  
 SEQUENTIAL TYPE



回路番号	
	1 2 3
1列	② Signal ② Signal ① Ground

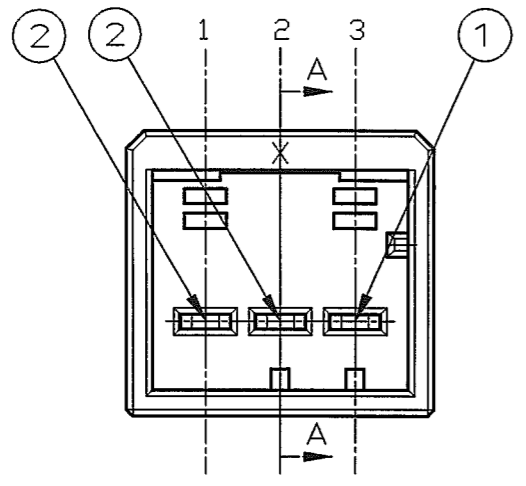
POINT OF SEQUENTIAL  
**1-1318123-1**  
 (KEYING X)

NOTES

- 1. MATERIAL: HOUSING: GLASS FILLED THERMO PLASTIC, POLYESTER (94V-0), COLOR: BLACK
- TAB CONTACT: COPPER ALLOY
- RETENTION LEG: BRASS
- △ FINISH (CONTACT AREA): 0.38μm MIN GOLD PLATING OVER Ni PLATING
- △ FINISH (RETENTION LEG): TIN PLATED (CONTACT TAIL) OVER NICKEL

注記

- 1. 材料: ハウジング: ガラス入り熱可塑性ポリエステル樹脂 (94V-0), 色: 黒
- タブ コンタクト: 銅合金
- リテンション レグ: 黄銅
- ② めっき: コンタクト: 全面Ni下地 接触部: 0.38μm MIN金めっき
- ③ めっき: リテンションレグとコンタクト半田付部: ニッケル下地の上にスズめっき



**1-1318123-1**  
 (KEYING X)

THIS DRAWING IS A CONTROLLED DOCUMENT FOR AMP INCORPORATED. IT IS SUBJECT TO CHANGE AND THE CONTROLLING ENGINEERING ORGANIZATION SHOULD BE CONTACTED FOR THE LATEST REVISION.		DWN K.IKEDA 7/DEC/'98	<b>tyco</b> Electronics	Tyco Electronics AMP K.K. Kawasaki, Japan	
DIMENSIONS: 単位 英・mm		CHK N.MATSUBARA 7/DEC/'98		NAME I.HASEGAWA	1列 ヘッダーアセンブリー 3P (垂直タイプ)
TOLERANCES UNLESS OTHERWISE SPECIFIED: 一般公差 10% : ±0.3 30% >10 : ±0.35 10% >30 : ±0.4 ANGLE : ±3'		APVD 7/DEC/'98	PRODUCT SPEC 108-5619	SINGLE ROW HEADER ASS'Y 3P ("V" TYPE) <DYNAMIC D-2100D>	
MATERIAL 材料 注記参照 SEE NOTES		FINISH 仕上 注記参照 SEE NOTES	APPLICATION SPEC 取付適用規格 114-5258	SIZE A3	CAGE CODE 00779
		WEIGHT	DRAWING NO C-1318123	RESTRICTED TO -	
		CUSTOMER DRAWING		SCALE 尺数 4-1	SHEET 2 OF 2 REV B1