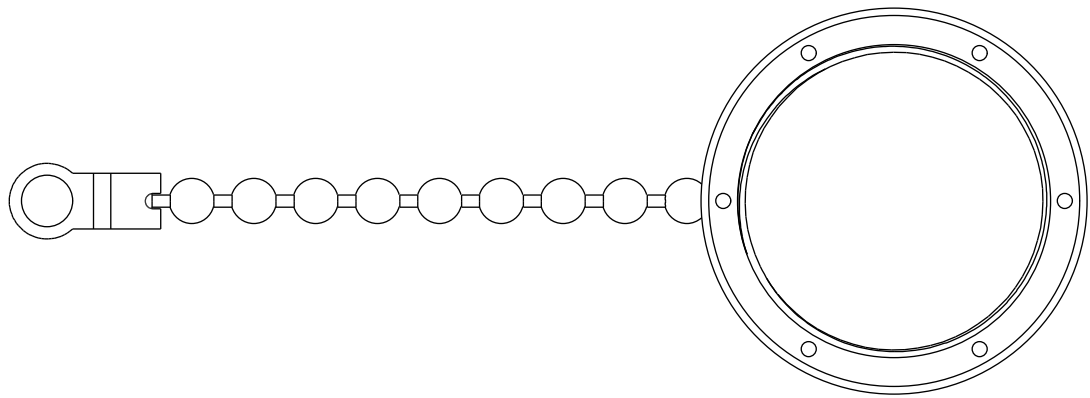
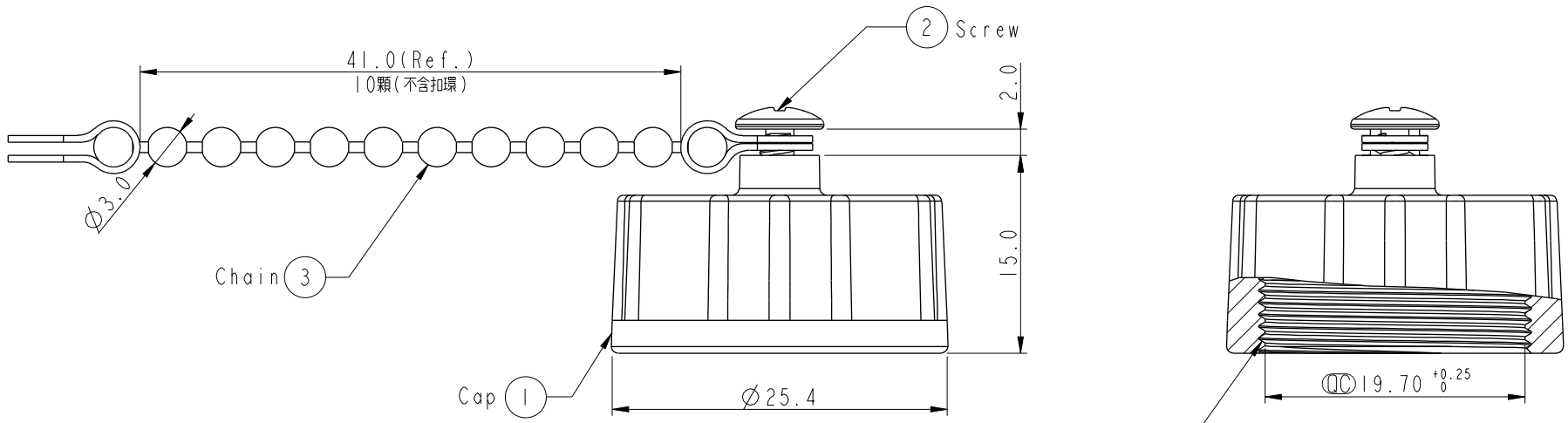


REV.	ECN NO.	DATE	SIGN	DESCRIPTION



ALTW  
DCC. DEPT.  
CONFIDENTIAL  
2013.05.03  
ISSUED

ALTW  
CONFIDENTIAL  
2013-05-02  
R&D DEPT.

Note:  
 \*  $\varnothing$  Important Dimension To Check.  
 \* Waterproof Rate: IP67.  
 \* Cap: Nylon+GF, Black.  
 \* Gasket: EPDM, Black.  
 \* Screw is not allowed to tight (Chain be revolve)  
 不可將螺絲鎖緊 (鏈條要可旋轉)

UNIT: mm		
TOLERANCE	.X ±0.25	
	.XX ±0.1	
	.XXX ±0.05	
ANGLES	±1°	

TITLE Waterproof Cap For Male Conn. C Size Screw Type			
SCALE 2:1	SIZE A4	SHEET 1 OF 1	
REV. A	WC-REV. A.5	$\varnothing$ : Inspection item	

**Amphenol LTW**  
安費諾亮泰企業股份有限公司

ITEM NO. CAP-WACMSPBI	DRAWN BY Vicky	DATE 2013-05-02
DWG NO. CAP-WACMSPBI	CHECKED BY Sam	DATE 2013-05-02
CUSTOMER ALTW	APPROVED BY Maslow	DATE 2013-05-02

F  
E  
D  
C  
B  
A

THIS DOCUMENT IS SUBJECT TO CHANGE WITHOUT NOTICE. IT IS CONFIDENTIAL AND A PROPERTY OF Amphenol LTW. DISCLOSURE TO THIRD PARTY HAS TO BE AUTHORIZED BY Amphenol LTW.