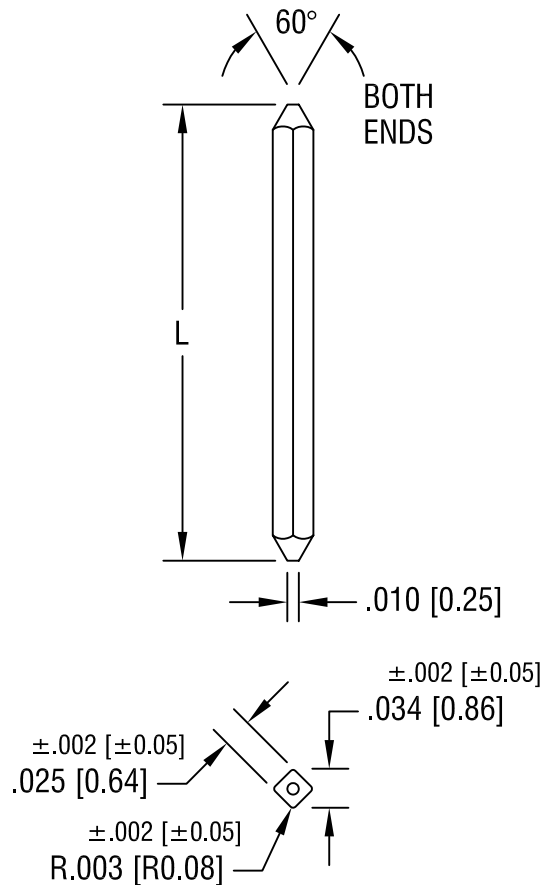


THIS DOCUMENT IS THE PROPERTY OF KEYSTONE ELECTRONICS CORP. AND SHALL NOT BE REPRODUCED, DISTRIBUTED OR USED AS A BASIS FOR MANUFACTURE WITHOUT PRIOR WRITTEN PERMISSION FROM KEYSTONE ELECTRONICS CORP.



| PART NO. | 'L' DIM. |
|----------|---------------|
| 5070 | .400 [10.16] |
| 5071 | .440 [11.17] |
| 5072 | .515 [13.08] |
| 5073 | .535 [13.59] |
| 5074 | .600 [15.24] |
| 5075 | .615 [15.62] |
| 5076 | .625 [15.88] |
| 5077 | .642 [16.31] |
| 5078 | .675 [17.14] |
| 5079 | .720 [18.29] |
| 5080 | .850 [21.59] |
| 5081 | .916 [23.27] |
| 5082 | .995 [25.27] |
| 5083 | 1.130 [28.70] |

KEYSTONE ELECTRONICS CORP.

ASTORIA, N.Y. 11105-2017

| | | | | | | | |
|------------|--|-----------------|--|----------------------------|--|-----------|--|
| PART NAME | | | | WIRE WRAP PIN | | | |
| MATERIAL | | | | PHOSPHOR BRONZE | | | |
| FINISH | | DRN BY | | DATE | | | |
| TIN PLATE | | BOONE | | 2.27.06 | | | |
| | | APP'D | | SCALE | | | |
| | | LN | | 6X | | | |
| TOLERANCES | | INCH [MM] | | CODE | | DWG NO. | |
| DECIMAL | | ± .005 [± 0.15] | | C/M | | 5070-5083 | |
| ANGULAR | | ± 1° | | UNLESS OTHERWISE SPECIFIED | | | |

| DATE | DESCRIPTION | REV. |
|------|-------------|------|
| | | |

Mouser Electronics

Authorized Distributor

Click to View Pricing, Inventory, Delivery & Lifecycle Information:

[Keystone Electronics:](#)

[5072](#)