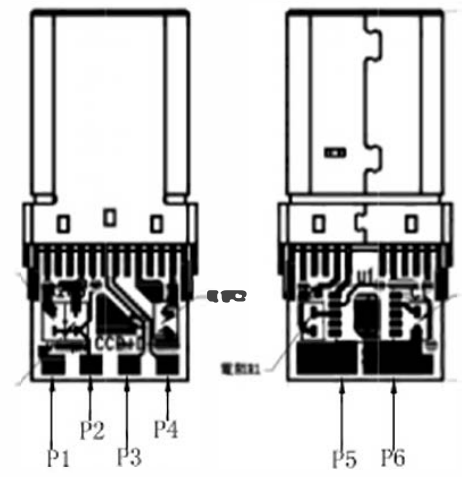
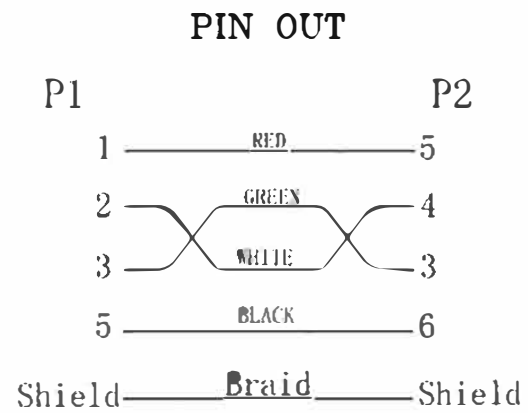
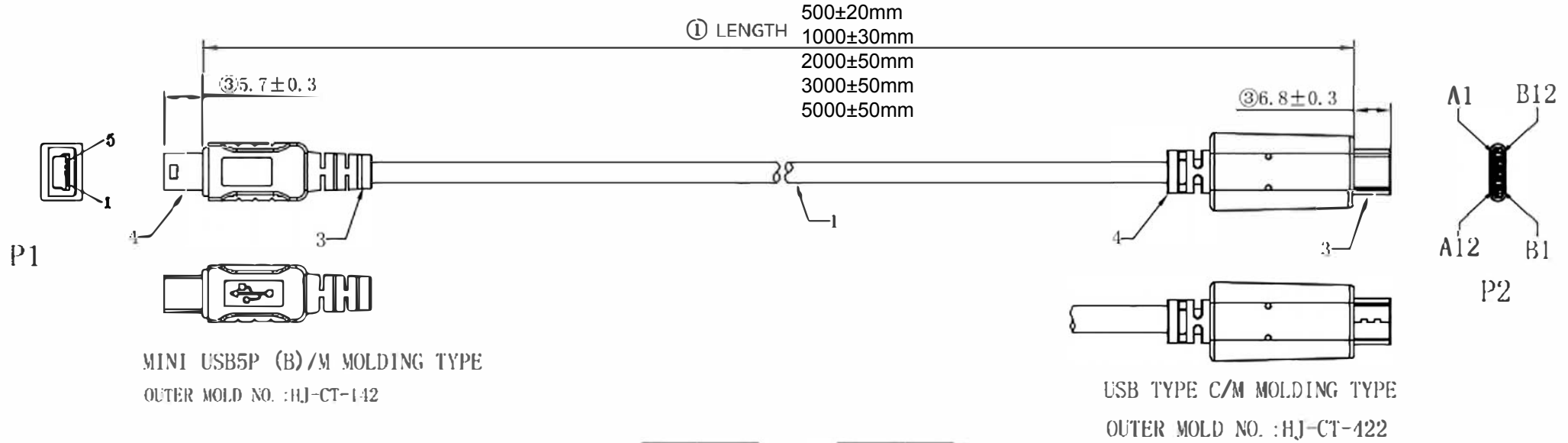


REV.	Change NO.	Change Description	Date	Approved
A0		NEW	2015.08.12	



**CnC Tech PART NUMBER:**  
 105-1031-BL-00100  
 105-1031-BL-00200  
 105-1031-BL-00300  
 105-1031-BL-00500

NO.	Name	Specifications	QTY	UNIT
5	TIE	L=60mm	1	PC
4	MOLDING	45P PVC BK-01	10	g
3	USB Type C	USB3.1 Type C/M	1	PCS
2	MINI USB	MINI USB 5P/M	1	SET
1	CABLE	[(7/0.12TS+PVCID0.8) 1P+7/0.2TS+PVCID1.35*2C]+ADB+PVC OD4.2	1	PCS

ITEM NO.	105-1031-BL-00XXX	Customer	/
DESCRIPTION	TYPE-C 3.1 10 USB 2.0 MINI B/M	REV.	A0 FILE/N /
MATERIAL NO.		PAGE	1 OF 1 APPRO
CnC Tech, LLC		UNIT	mm CHECK
		SCALE	NONE DRAWN
		PROJECTION	DATE: 2015.08.12