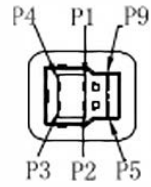
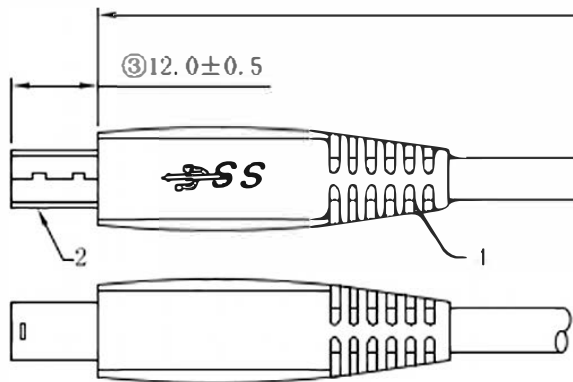


REV.	Change NO.	Change Description	Date	Approved
A0		NEW	2015.08.12	

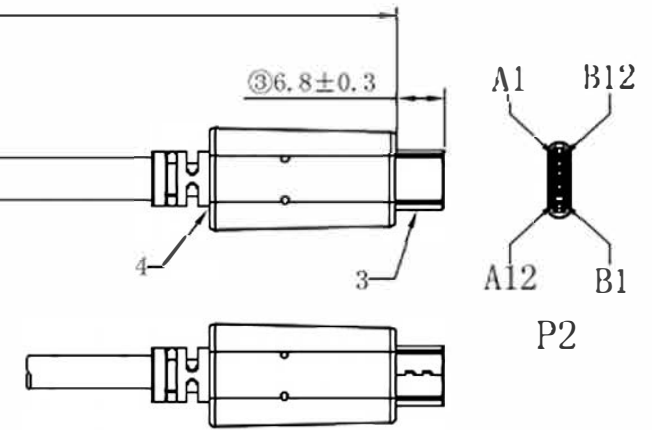


P2



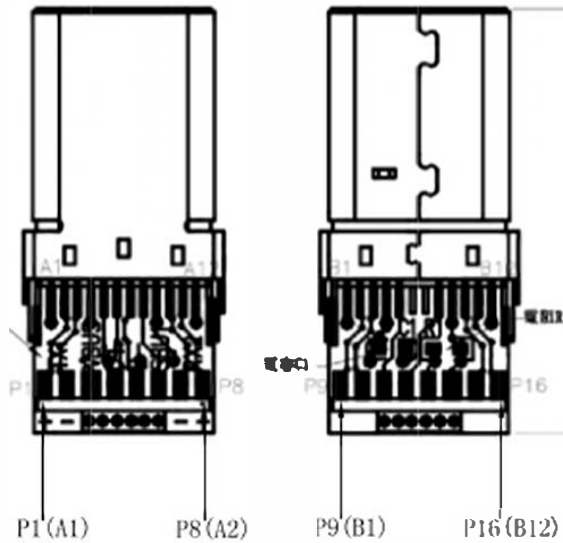
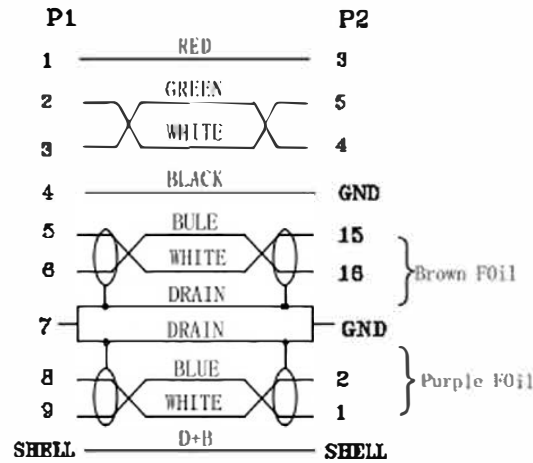
USB3.0 B/M MOLDING TYPE
OUTER MOLD NO. : HJ-CT-180

① LENGTH
500±20mm
1000±30mm
2000±50mm
3000±50mm
5000±50mm



USB TYPE C/M MOLDING TYPE
OUTER MOLD NO. : HJ-CT-422

PIN OUT



CnC Tech PART NUMBER:
105-1030-BL-00100
105-1030-BL-00200
105-1030-BL-00300
105-1030-BL-00500

5	TIE	L=60mm	1	PC
4	MOLDING	45P PVC BK-01	10	G
3	USB3.0 B/M	USB3.0 B/M 9P	1	PCS
2	USB Type C	USB Type C/M	1	SET
1	CABLE	(7/0.12TS+PEF1D0.90*2C+D7/0.12TS+AL+M)*2P+(7/0.12TS+HDF1D0.7*1P)+(7/0.20TS+PVC1D1.05*2C)+(PP 3800DX2)+AL+D7/0.12BS+96#/0.12ALAG+PVC OD5.5mm BK	1	PCS
NO.	Name	Specifications	QTY	UNIT

ITEM NO.	105-1030-BL-00XXX	Customer	/
DESCRIPTION	TYPE-C MALE to USB 3.0 B/MALE	REV.	A0
MATERIAL NO.		PAGE	1 OF 1
CnC Tech, LLC		UNIT	CHECK
		SCALE	NONE
		PROJECTION	DATE
		FILE/N	/
		APPRO	
		DRAWN	
		DATE	2015.08.12