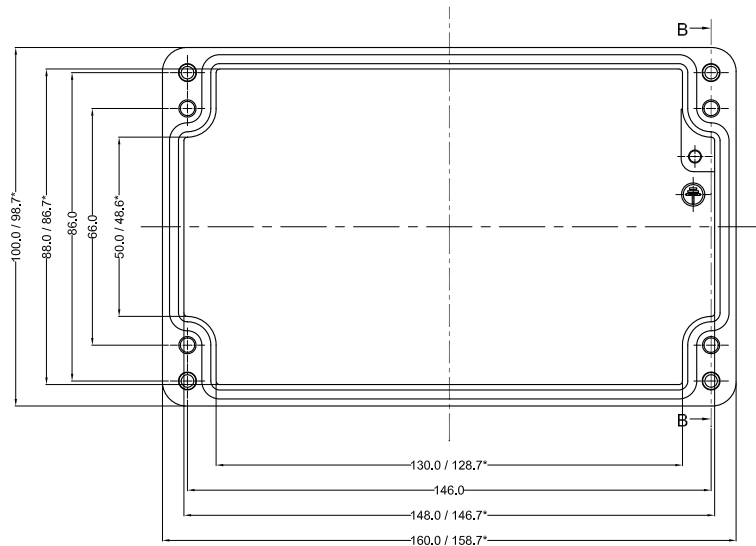
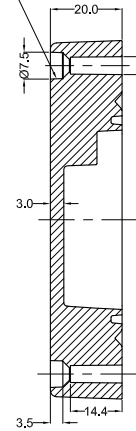


* = Conical form tapering downward.
 Untoleranced dimensions per GTA 13/5 DIN 1688

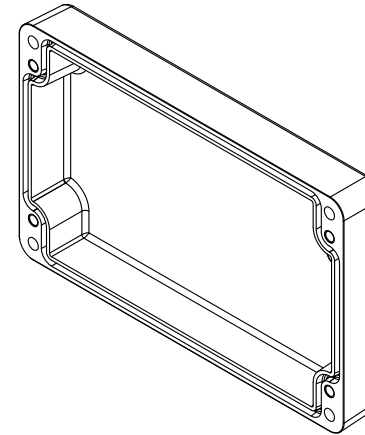
LID



Cylinder Screw
 M4 x 24/7 similar to DIN 84

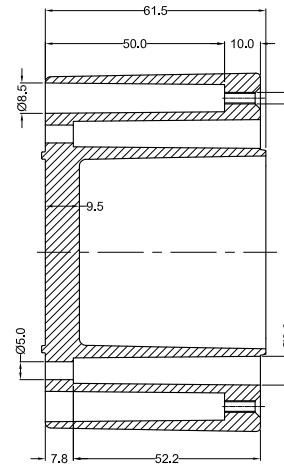
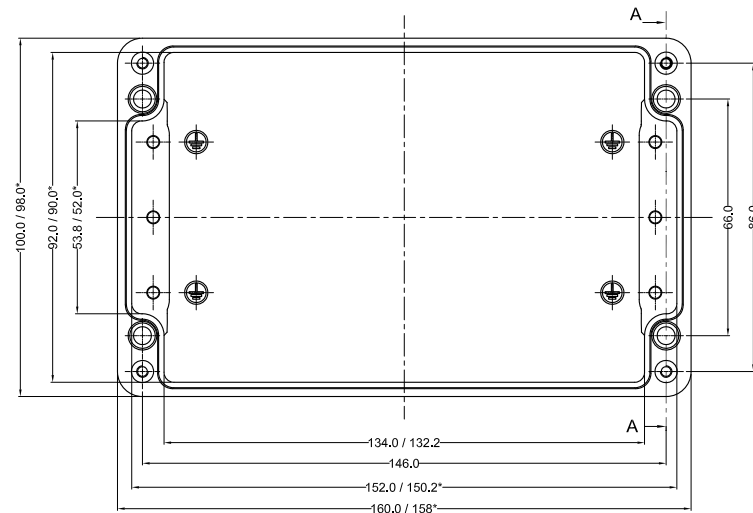


SECTION B-B

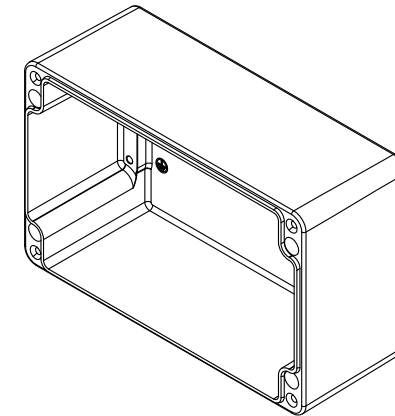


OPTIONAL ACCESSORIES		
PART NAME	QTY.	AVAILABILITY
MOUNTING PLATE	1	Y
EXTERNAL HINGE	2	Y
INTERNAL HINGE	-	N
MOUNTING BRACKETS	4	Y
NEOPRENE/SILICON GASKET	1	Y
DIN RAIL TS15	1	Y
DIN RAIL TS35	-	N

BASE



SECTION A-A



QUANTITY	MATERIAL :-	MACH.NAME	DATE	SIGN	NAME
-	Alsi12 Din230	-	30/04/12		RRPL DESIGN
	WEIGHT:	FINISH:	30/04/12		CHECKED
	-	NATURAL			APPROVED
TOLERANCE	TITLE :-		SCALE	PARTNO.	
±0.2	JUNCTION BOX		REV	DRG. NO.	
±0.2	160 x 100 x 81		0	-	
±1.0°	ALL DIMENSION ARE IN MM			-	
	RJ 10			AJB-16010081	