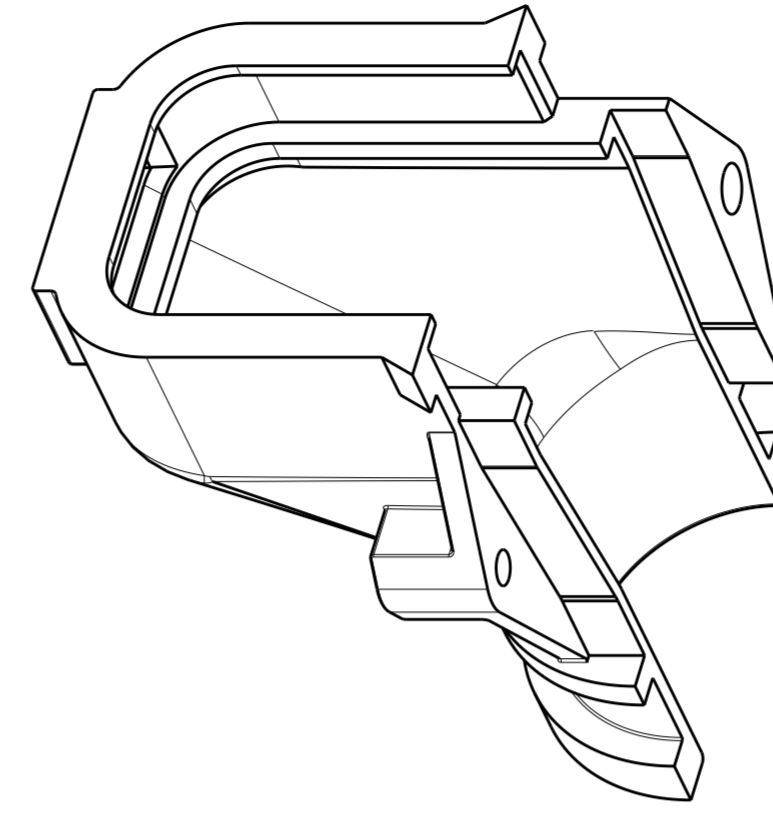
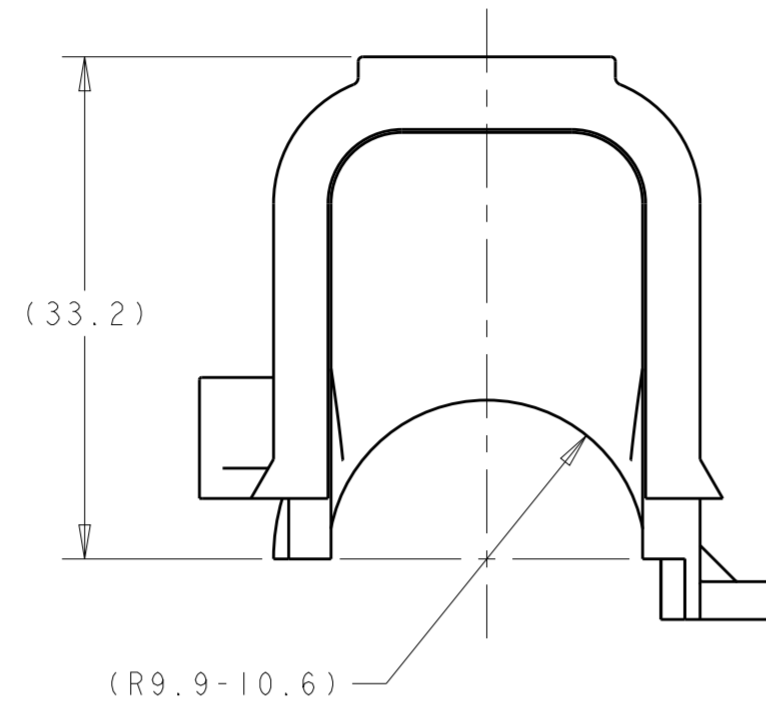


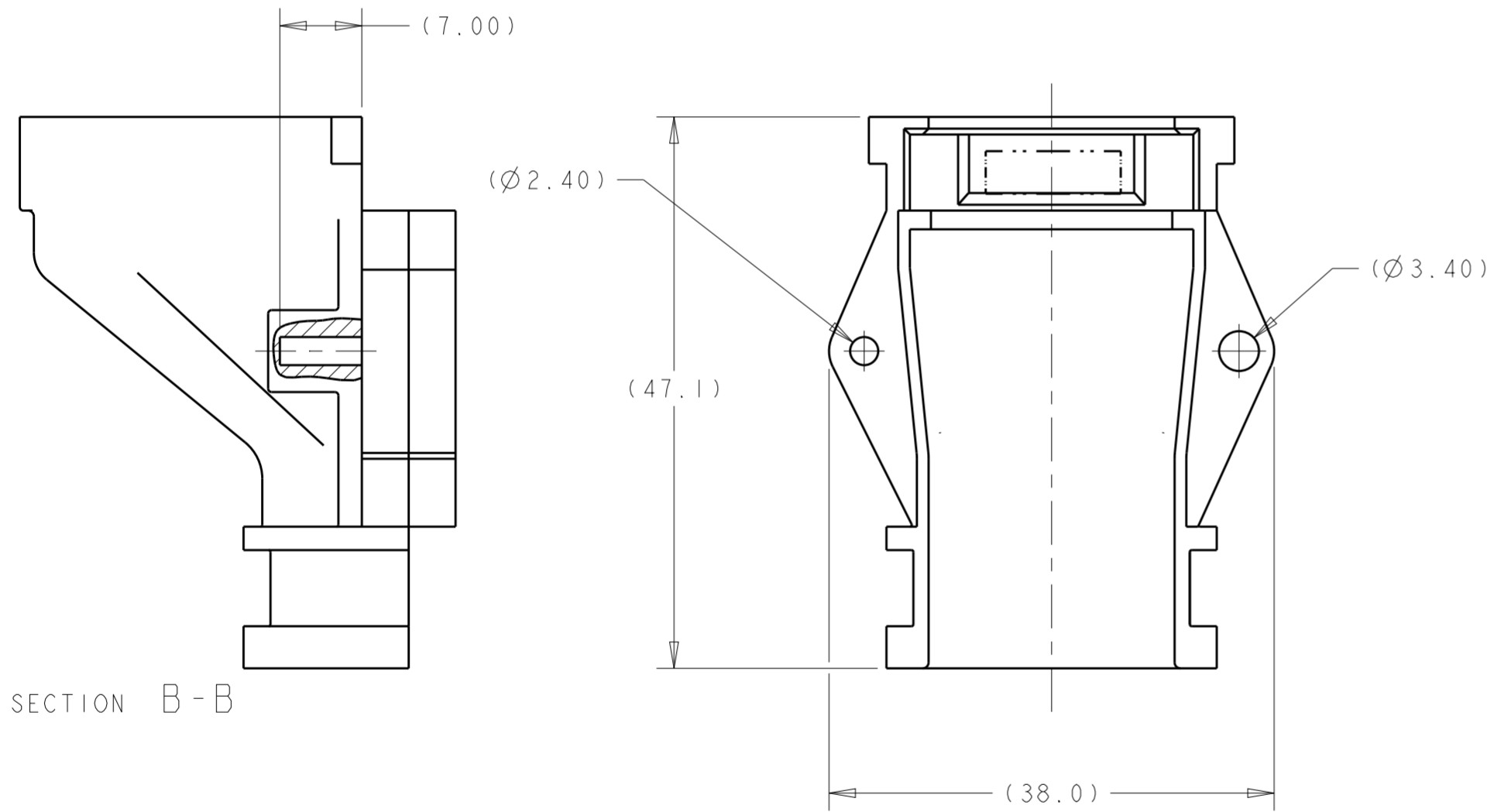
THIS DRAWING IS UNPUBLISHED. RELEASED FOR PUBLICATION 20
 © COPYRIGHT 20 BY - ALL RIGHTS RESERVED.

REVISIONS					
P	LTR	DESCRIPTION	DATE	DWN	APVD
B1		REVISED PER 0K40-0113-04	27APR2004	AG	MT
B2		REVISED PER ECO-15-007694	21MAY2015	DD	DS



SCALE 2:1

- 1 MATERIAL: PBT, 15% GLASS FILLED, COLOR: BLACK
- 2. ACCEPTS #4 SELF TAPPING SCREW (ELCO HI-LO THREAD CUTTING STYLE OR EQUIVALENT) TO BE DRIVEN AT 0.6±0.2 N-M FOR INITIAL ASSEMBLY.



776463-1
PART NUMBER

THIS DRAWING IS A CONTROLLED DOCUMENT.		DWN R. VESTAL 01APR2003	TE Connectivity				
DIMENSIONS:		CHK M. TRULL 01APR2003				NAME WIRE, RELIEF, 35 POSITION	
mm	TOLERANCES UNLESS OTHERWISE SPECIFIED:	APVD M. TRULL 01APR2003	PRODUCT SPEC	SIZE	CAGE CODE	DRAWING NO	RESTRICTED TO
0 PLC ± 1 PLC ± 2 PLC ±0.10 3 PLC ± 4 PLC ± ANGLES ±2° FINISH -		APPLICATION SPEC	-	A200779	C-776463	-	-
MATERIAL	-	WEIGHT	-	CUSTOMER DRAWING		SCALE 2:1	SHEET 1 OF 1 REV B2