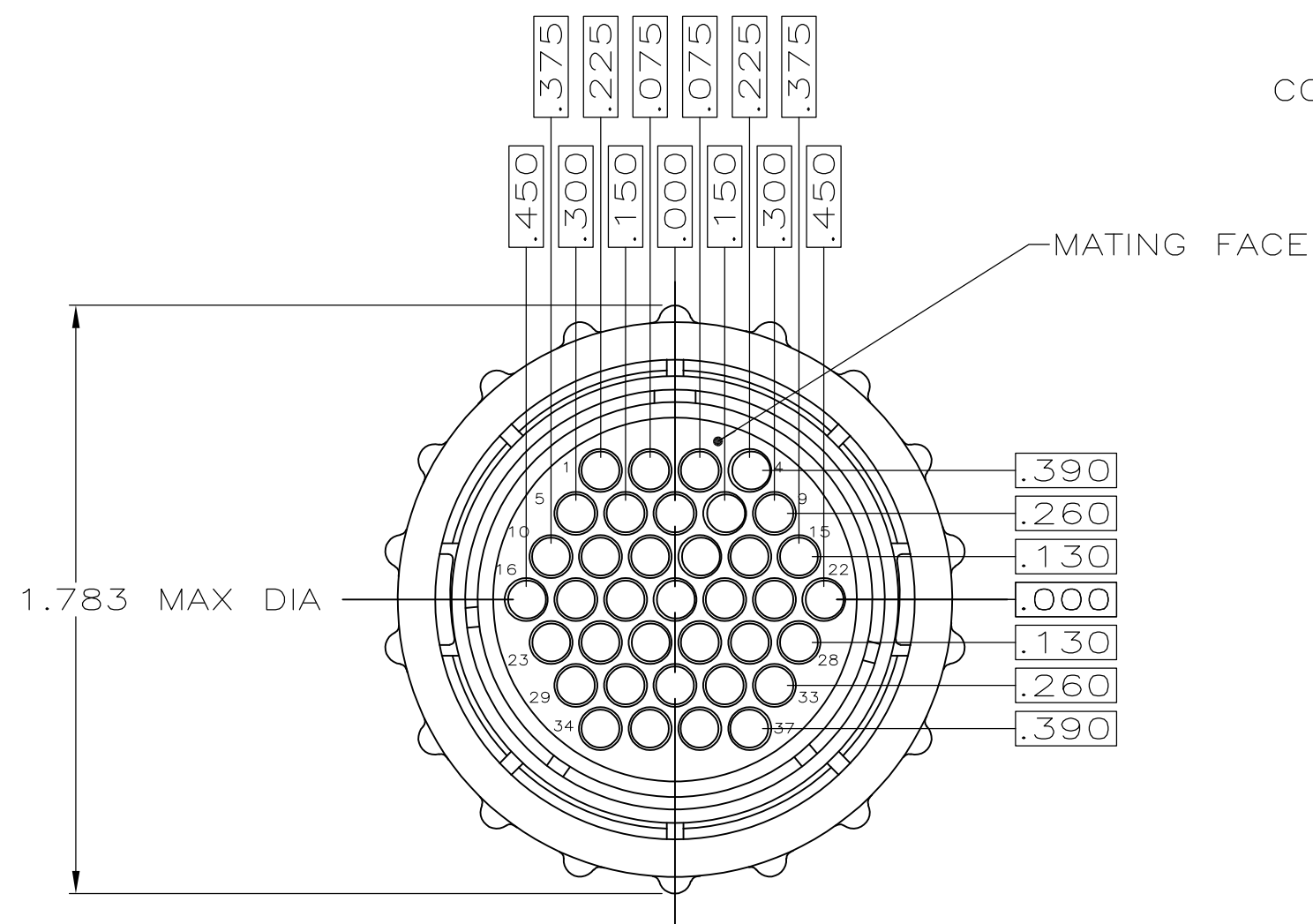


THIS DRAWING IS UNPUBLISHED. RELEASED FOR PUBLICATION
 © COPYRIGHT - By - ALL RIGHTS RESERVED.

REVISIONS					
P	LTR	DESCRIPTION	DATE	DWN	APVD
G2		REVISE PER ECO-11-004587	11MAR11	RK	HMR
H		REVISED PER ECO-17-000037	10MAR2017	RS	MZ

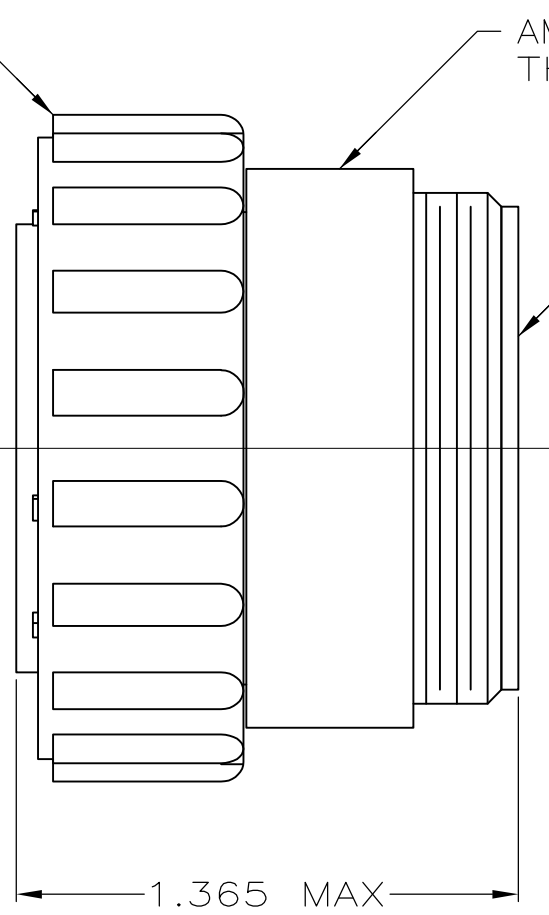


COUPLING RING
POLYESTER

AMP & PART NUMBER
THIS DIA

PLUG HOUSING
NYLON 6/6,
GLASS FILLED

(-1, -2 & -5 ONLY)

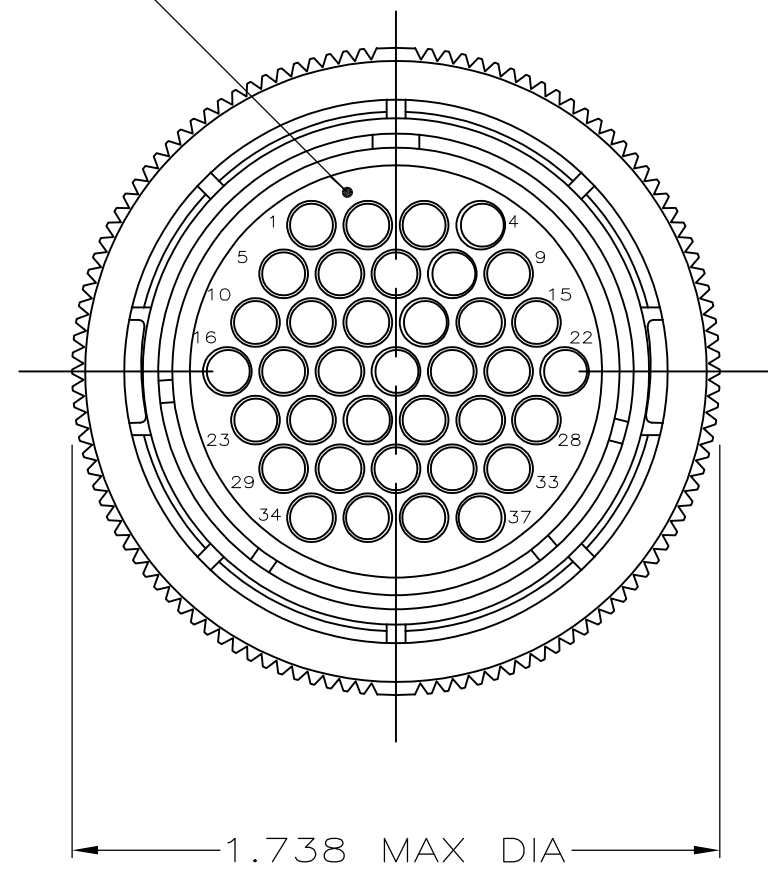
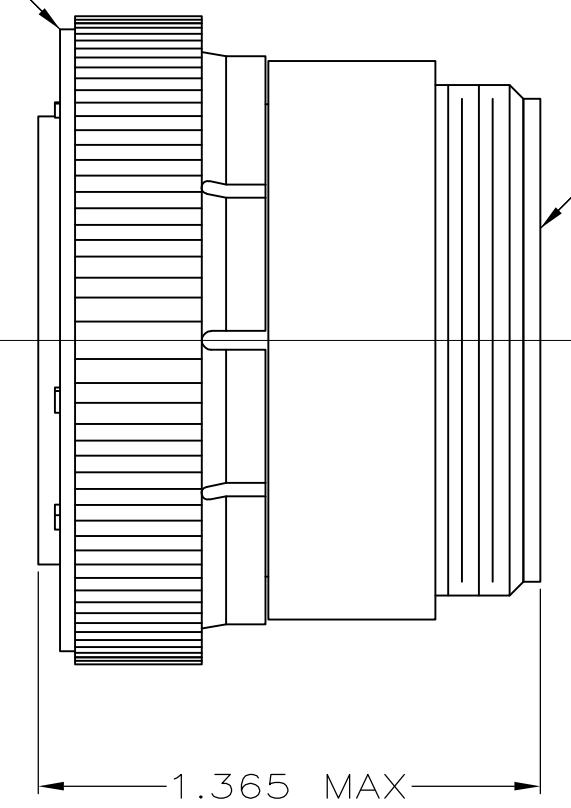


MATING FACE

COUPLING RING
POLYOHENYLENE

PLUG HOUSING
NYLON 6/6,
GLASS FILLED,

(-4 ONLY)



- 1. CONTACT CAVITIES IDENTIFIED BY CHARACTERS ON FRONT AND REAR FACES OF CONNECTOR.
- 2. WILL ACCEPT (37) MULTIMATE PIN CONTACTS.
- 3. OBSOLETE PART NUMBER.
- 4. OBSOLETE PARTS: OBSOLETE CIS STREAMLINING PER D.RENAUD/D.SINISI

3	NATURAL	STANDARD	206305-5
	BLACK	STANDARD	206305-4
4	OBSOLETE	BLACK	SMALL PACK
	BLACK	STANDARD	206305-1
	COLOR	PACKAGING	PART NUMBER

THIS DRAWING IS A CONTROLLED DOCUMENT.		DWN	S.RIDGLEY	BG	8/2/90	TE TE Connectivity		
DIMENSIONS: INCHES		CHK	R.STONE		4-26-91			
TOLERANCES UNLESS OTHERWISE SPECIFIED:		APVD		J.FULPONI	5-2-91	NAME		
0 PLC ± -		PRODUCT SPEC				PLUG ASSEMBLY, SHELL		
1 PLC ± -		APPLICATION SPEC				SIZE 23, REVERSE SEX,		
2 PLC ± -		WEIGHT		-		SERIES 1, CPC		
3 PLC ± .005		SCALE		A2		CAGE CODE 00779		
4 PLC ± -		SHEET		1 of 1		DRAWING NO C=206305		
ANGLES ± -		CUSTOMER DRAWING				RESTRICTED TO		
FINISH -		SCALE		2:1		REV H		