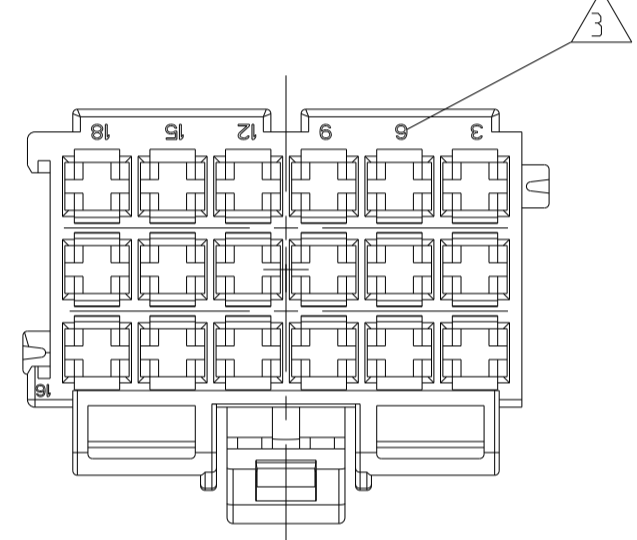
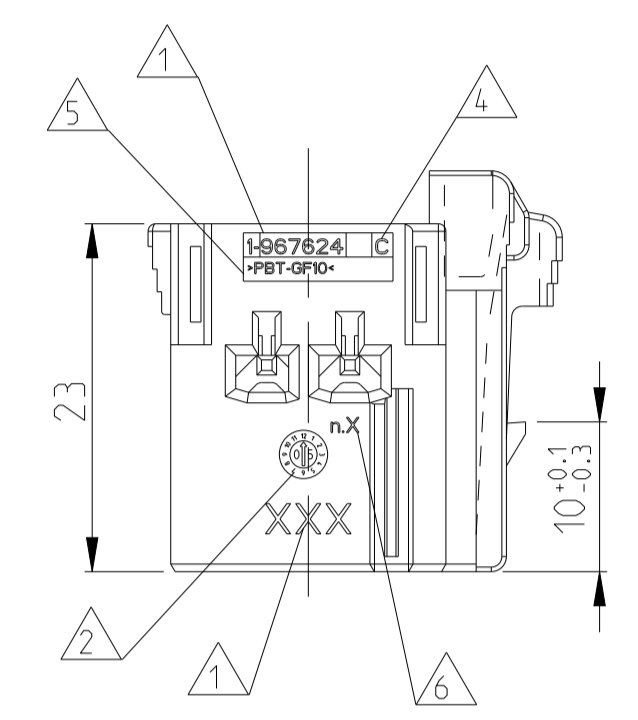
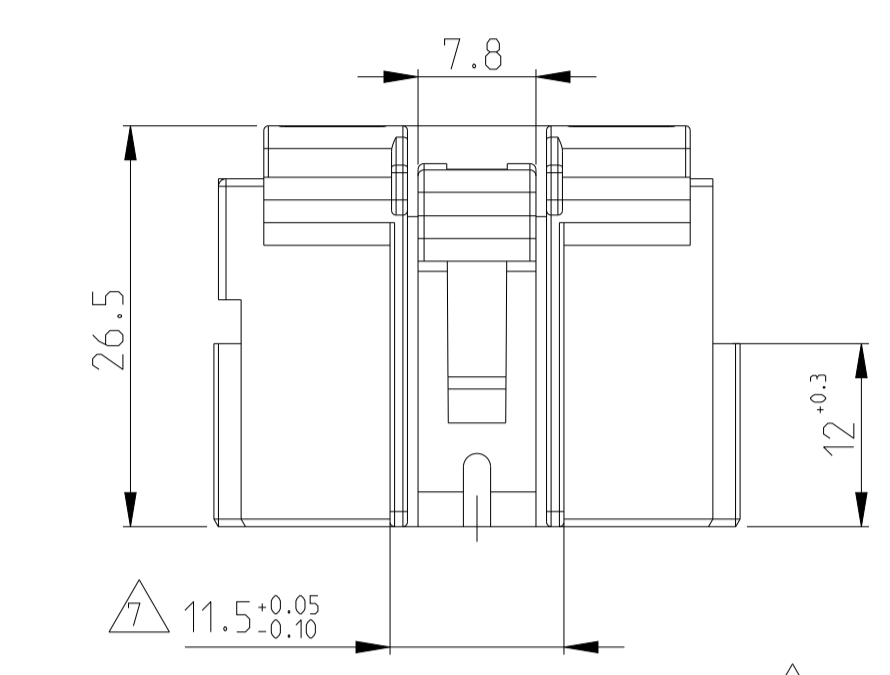
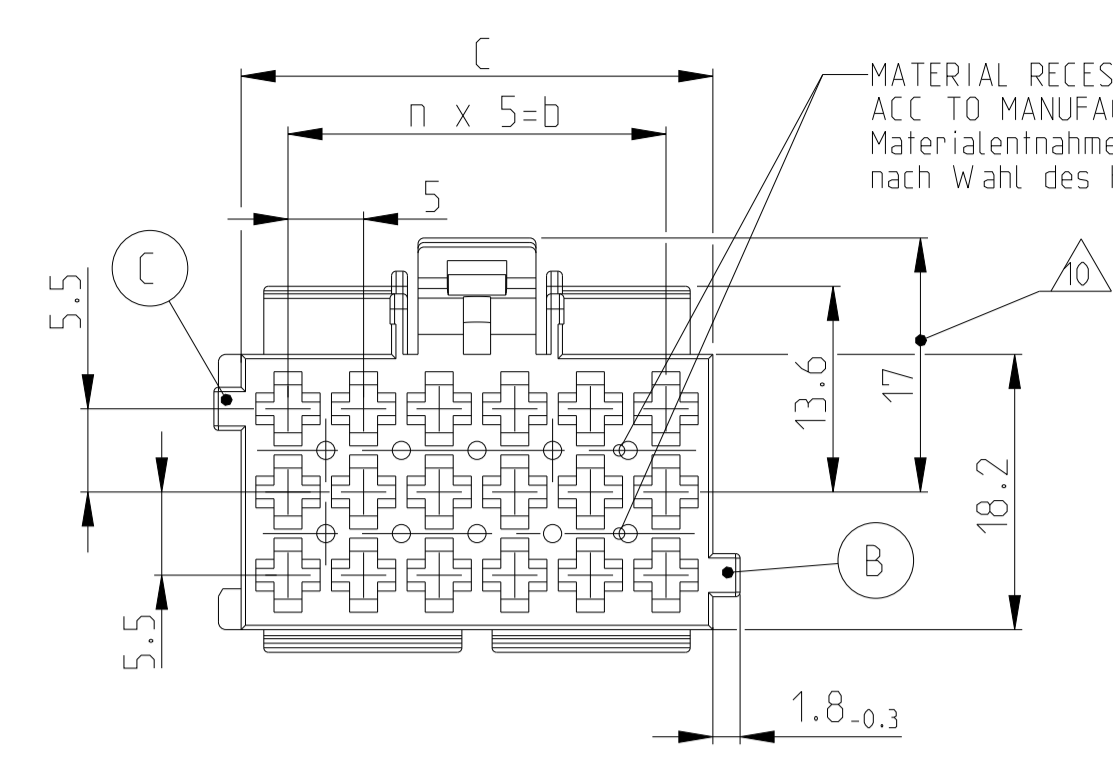
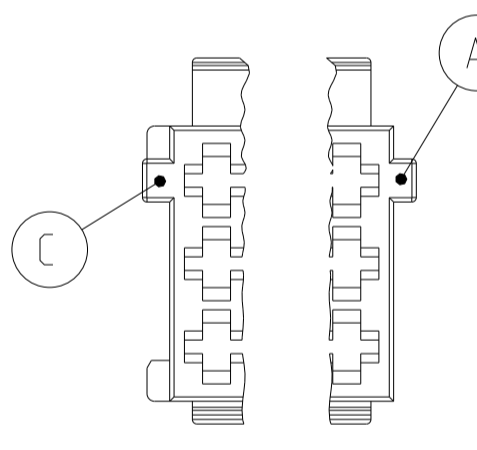


REVISIONS				
REV.	DATE	DESCRIPTION	BY	CHK.
D1	21MAR11	REVISED PER ECR-11-005150	RK	HMR
D2	25NOV2021	PNs OUT OF MOLD TOOL FOR TE CHINA ADDED	YP	MR



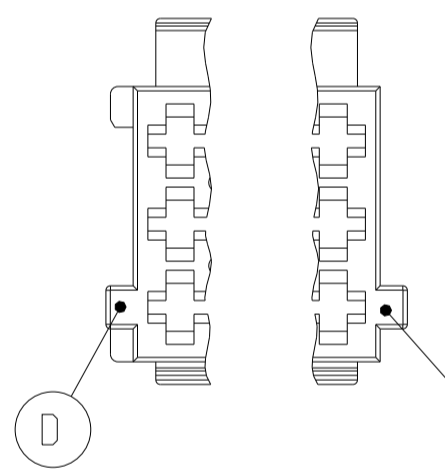
1-967624-....
MECHANICAL CODING A
Mechanische Kodierung A

(RIBS B-C) AS SHOWN
(Rippen B-C) wie gezeichnet



2-....
MECHANICAL CODING B
Mechanische Kodierung B

(RIBS A-C) AS SHOWN
(Rippen A-C) wie gezeichnet



3-....
MECHANICAL CODING D
Mechanische Kodierung D

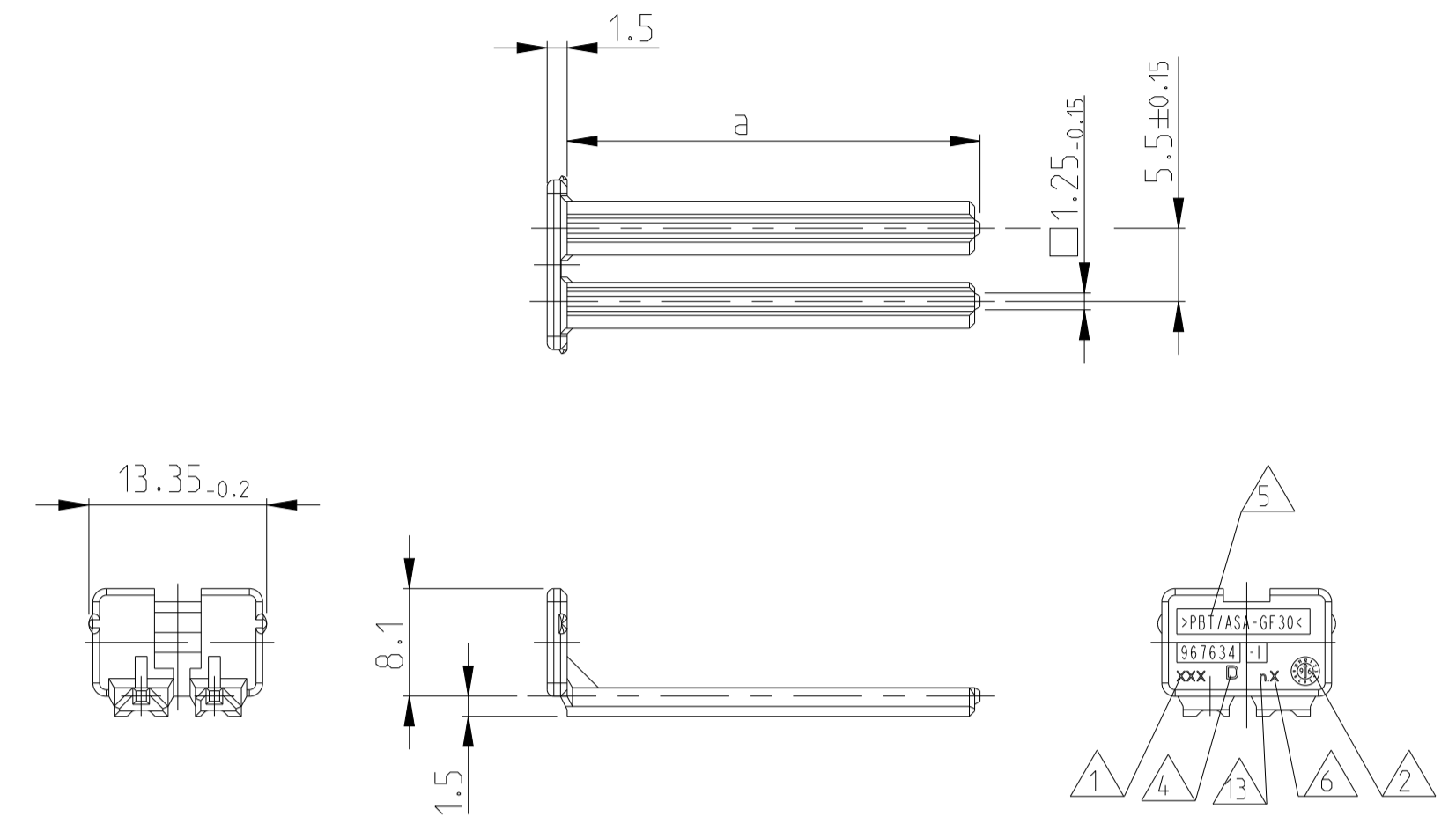
(RIBS B-D) AS SHOWN
(Rippen B-D) wie gezeichnet

	10.1g	6	30	36.2	21	36	0.7g
	9.1g	5	25	31.2	18	31	0.65g
	7.6g	4	20	26.2	15	26	0.55g
	6.5g	3	15	21.2	12	21	0.5g
	5.1g	2	10	16.2	9	16	0.4g
	3.9g	1	5	11.2	6	11	0.35g
CODING A : CAVITY NUMBERING (CAVITIES ONLY SYMBOL) / Kodierung A : Kammerbezeichnung (Kammern nur symbol, dargestellt)	WEIGHT / Gewicht	n	b ±0.2	c ±0.15 -0.25	POSITIONS / Polzahl	a ±0.15	WEIGHT / Gewicht

NOTES:

- 1 TE CONNECTIVITY LOGO, SINGLE PART No. / TE CONNECTIVITY LOGO, Bestell-Nr Einzelteil.
- 2 PRODUCTION-DATE / Produktionsdatum
- 3 CAVITY-MARKING / Kammerbezeichnung
- 4 THE REVISION STATUS OF THE MOULD / Aenderungszustand des Werkzeuges
- 5 MATERIAL-MARKING ACC. TO VDA 260 / Werkstoffkennzeichnung nach
- 6 MOULD CAVITY-MARKING / Nestmarkierung
- 7 WARPAGE TO 11.3mm PERMITTED / Verzug bis 11.3mm zulaessig
- 8 DIMENSION RESP WEIGHT OF SECOND LOCKING DEVICE / Mass bzw. Gewicht der zweiten Kontaktsicherung

2



967634-1 AS SHOWN wie gezeichnet

- 9 PACKAGING: LOOSE PIECE IN CORRUGATED BOX FOR BOTH PARTS. / Verpackung: Beide Teile werden lose im Karton geliefert.
- 10 WARPAGE TO 16mm PERMITTED / Verzug bis 16mm zulaessig
- 11 CAVITIES MATING WITH JUNIOR POWER TIMER CONTACT (WITHOUT SINGLE WIRE SEAL) MAX. WIRE SIZE 2.5mm² FLR - SEE DRAWING: 1355046 / Kontaktkammern passend fuer Junior Power Timer Kontakte (ohne Einzel-Dichtungssystem) max. Drahtgroessenbereich 2.5mm² FLR - siehe Zeichnung: TE CONNECTIVITY-No.: 1355046
- 12 MATED WITH / passend zu: SEE DRAWINGS / s. Zeichnungen. -1355072 (TAB HOUSINGS / Flachsteckergehaeuse) -966140 (TAB HEADER / Messerleisten) -114-18085-025 (INTERFACE DRAWING / Ausf.vorschrift)
- 13 TOOL-NUMERATION / Werkzeugnummerierung
- 14 ORDER NO FOR PARTS IN TE CHINA

CODING / Kodierung C				CODING / Kodierung B				CODING / Kodierung A												MECHANICAL CODING																
RIBS / Rippen: B-D				RIBS / Rippen: A-C				RIBS / Rippen: B-C												Mechanische Kodierung																
-	967635-1	D 2	21 POS. polig	-	-	-	-	-	-	-	-	1-967625-6	C	GENTIAN BLUE	-	1-967625-5	C	RAPE YELLOW	-	1-967625-4	C	YELLOW GREEN	-	1-967625-3	C	TRAFFIC PURPLE	-	1-967625-2	C	SLATE GREY	-	1-967625-1	C	CLAY BROWN	1	21 POS. polig
-	967634-1	D 2	18 POS. polig	3-967624-6	C	CLAY BROWN	2-967624-6	C	CLAY BROWN	-	1-967624-6	C	CLAY BROWN	-	1-967624-5	C	GENTIAN BLUE	-	1-967624-4	C	RAPE YELLOW	-	1-967624-3	C	YELLOW GREEN	-	1-967624-2	C	TRAFFIC PURPLE	-	1-967624-1	C	SLATE GREY	1	18 POS. polig	
-	967633-1	D 2	15 POS. polig	3-967624-1	C	DUSTY GREY	2-967624-1	C	PURE WHITE	-	1-967624-3	C	SLATE GREY	-	1-967623-5	C	CLAY BROWN	-	1-967623-4	C	GENTIAN BLUE	-	1-967623-3	C	RAPE YELLOW	-	1-967623-2	C	YELLOW GREEN	-	1-967623-1	C	TRAFFIC PURPLE	1	15 POS. polig	
-	967632-1	D 2	12 POS. polig	-	-	-	-	-	-	-	1-967622-6	C	TRAFFIC PURPLE	-	1-967622-5	C	SLATE GREY	-	1-967622-4	C	CLAY BROWN	-	1-967622-3	C	GENTIAN BLUE	-	1-967622-2	C	RAPE YELLOW	-	1-967622-1	C	YELLOW GREEN	1	12 POS. polig	
-	967631-1	D 2	9 POS. polig	-	-	-	-	-	-	-	1-967621-6	C	YELLOW GREEN	-	1-967621-5	C	TRAFFIC PURPLE	-	1-967621-4	C	SLATE GREY	-	1-967621-3	C	CLAY BROWN	-	1-967621-2	C	CLAY BROWN	-	1-967621-1	C	RAPE YELLOW	1	9 POS. polig	
-	968271-1	D 2	6 POS. polig	-	-	-	-	-	-	1-965640-7	C	FLAME RED	-	1-965640-6	C	RAPE YELLOW	-	1-965640-5	C	YELLOW GREEN	-	1-965640-4	C	TRAFFIC PURPLE	-	1-965640-3	C	SLATE GREY	-	1-965640-2	C	CLAY BROWN	1	6 POS. polig		

JUNIOR POWER TIMER HOUSING / Junior Power Timer Gehaeuse

THIS DRAWING IS A CONTROLLED DOCUMENT.

TE Connectivity

PRODUCT GROUP DRAWING FOR: JUNIOR POWER TIMER HSG. 6-21POS AND SECONDARY LOCKING DEVICE

108-94789

SCALE: 2:1 SHEET 1 OF 1