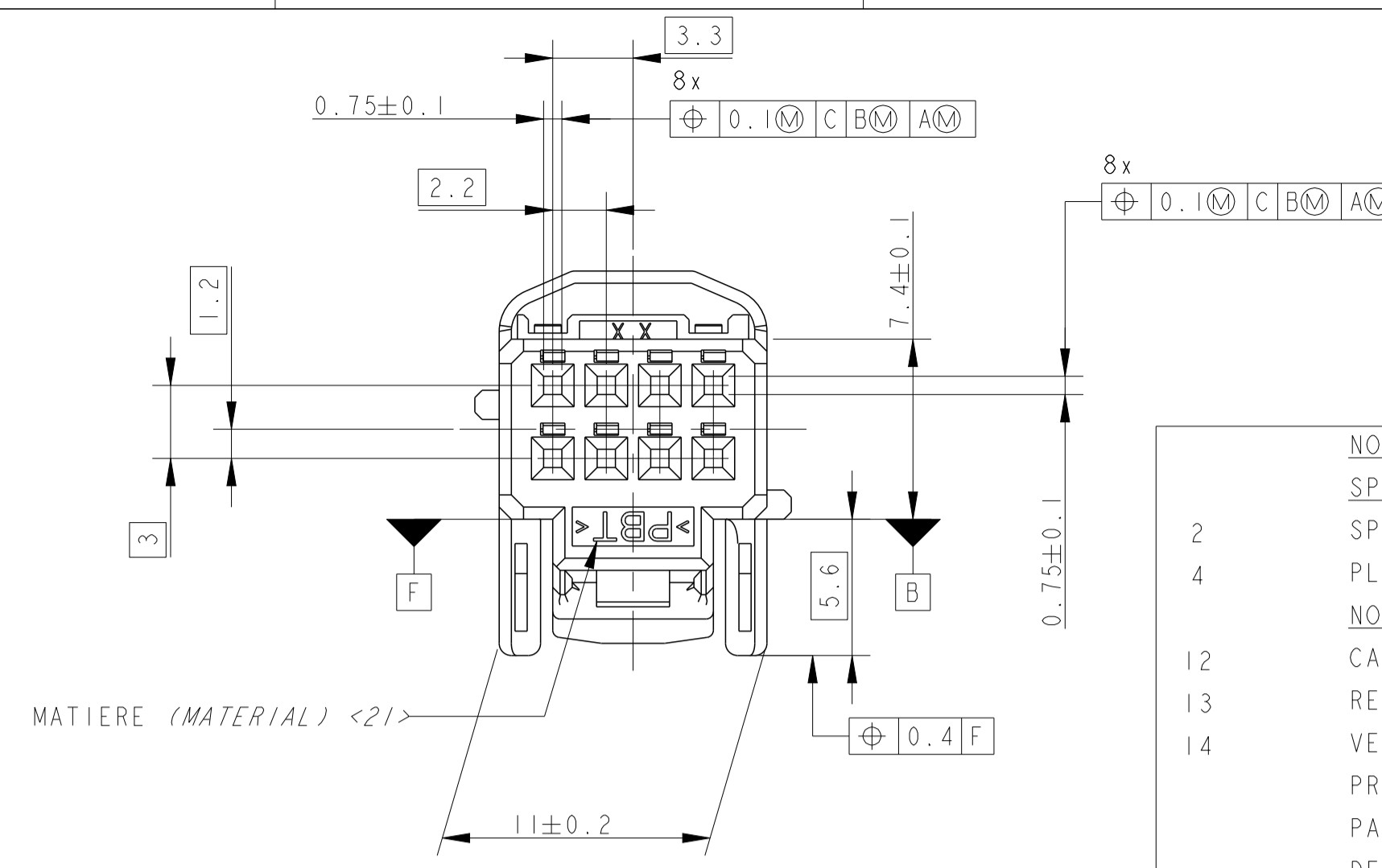
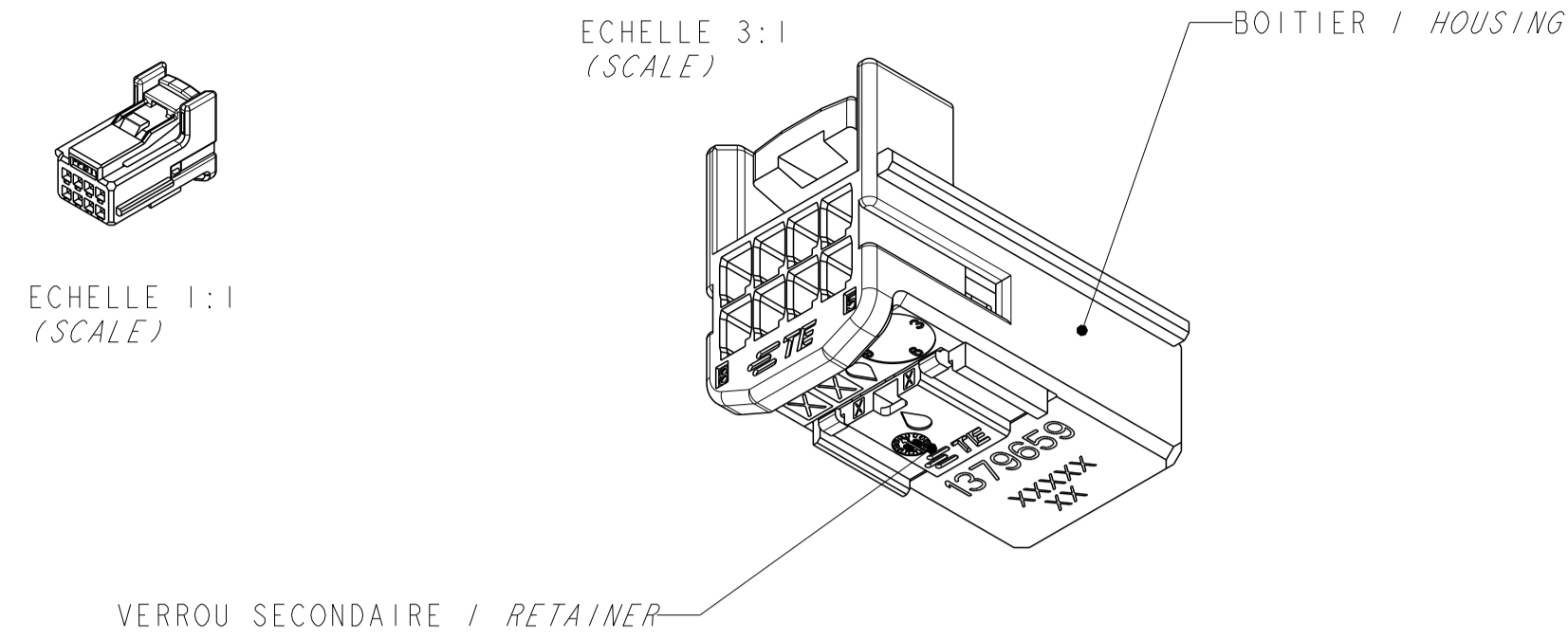
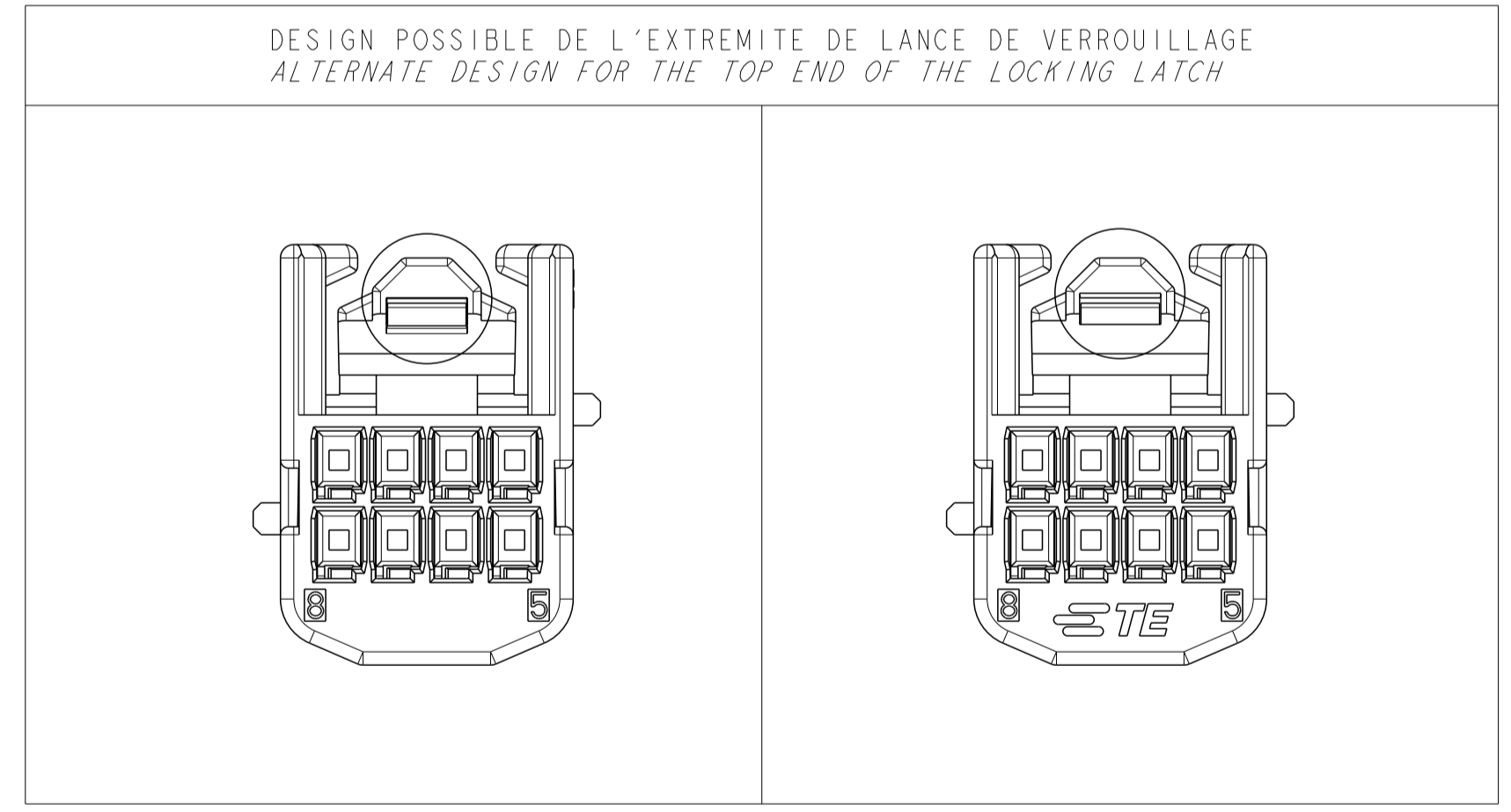
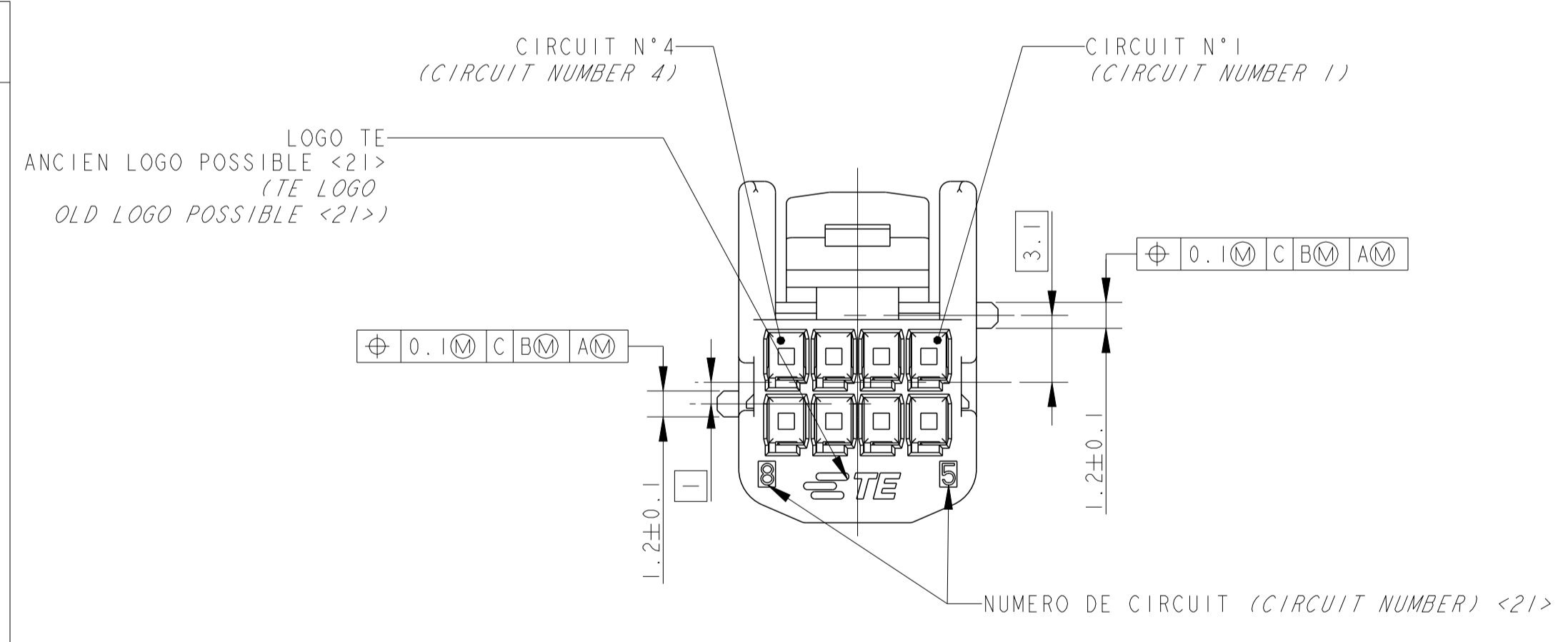
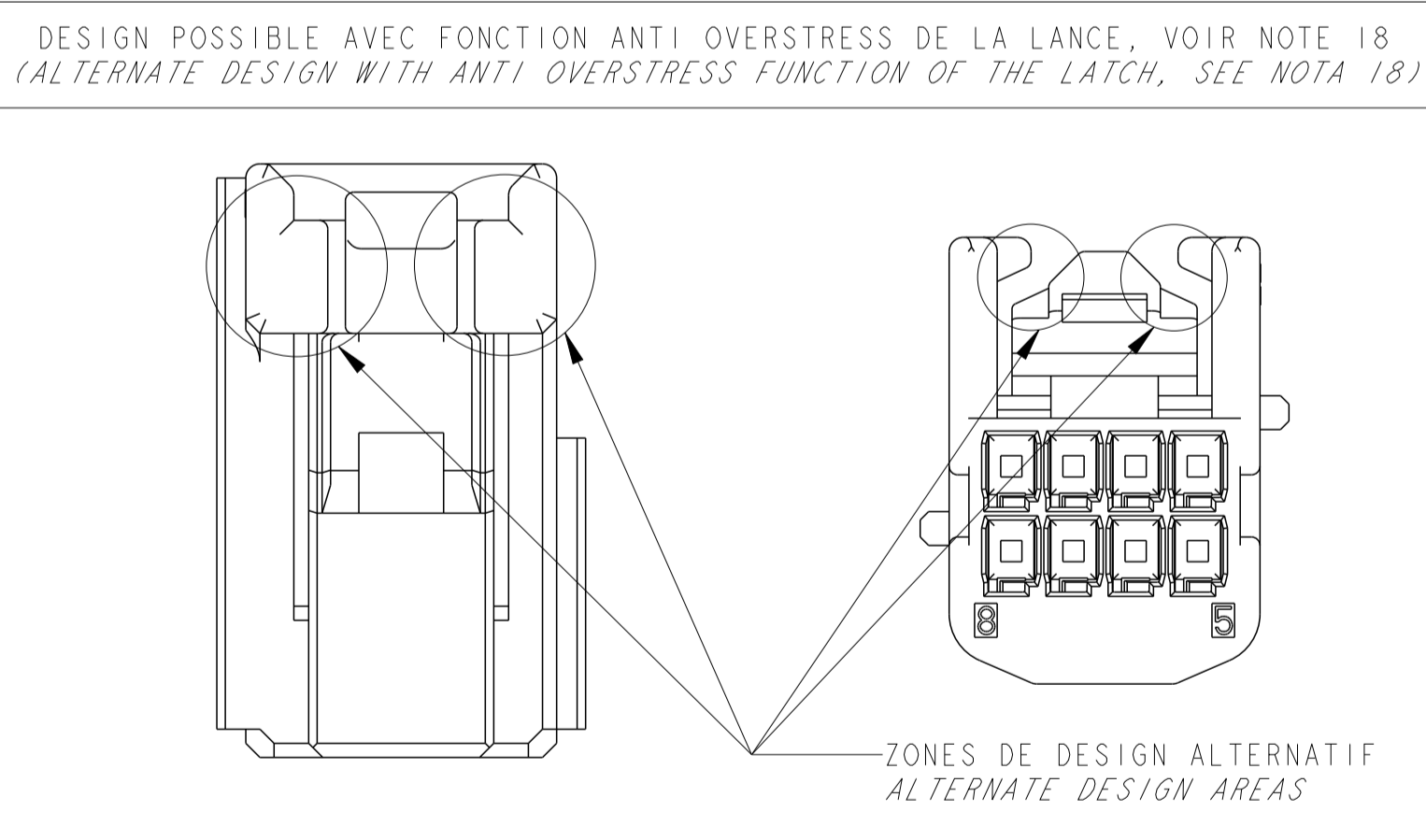
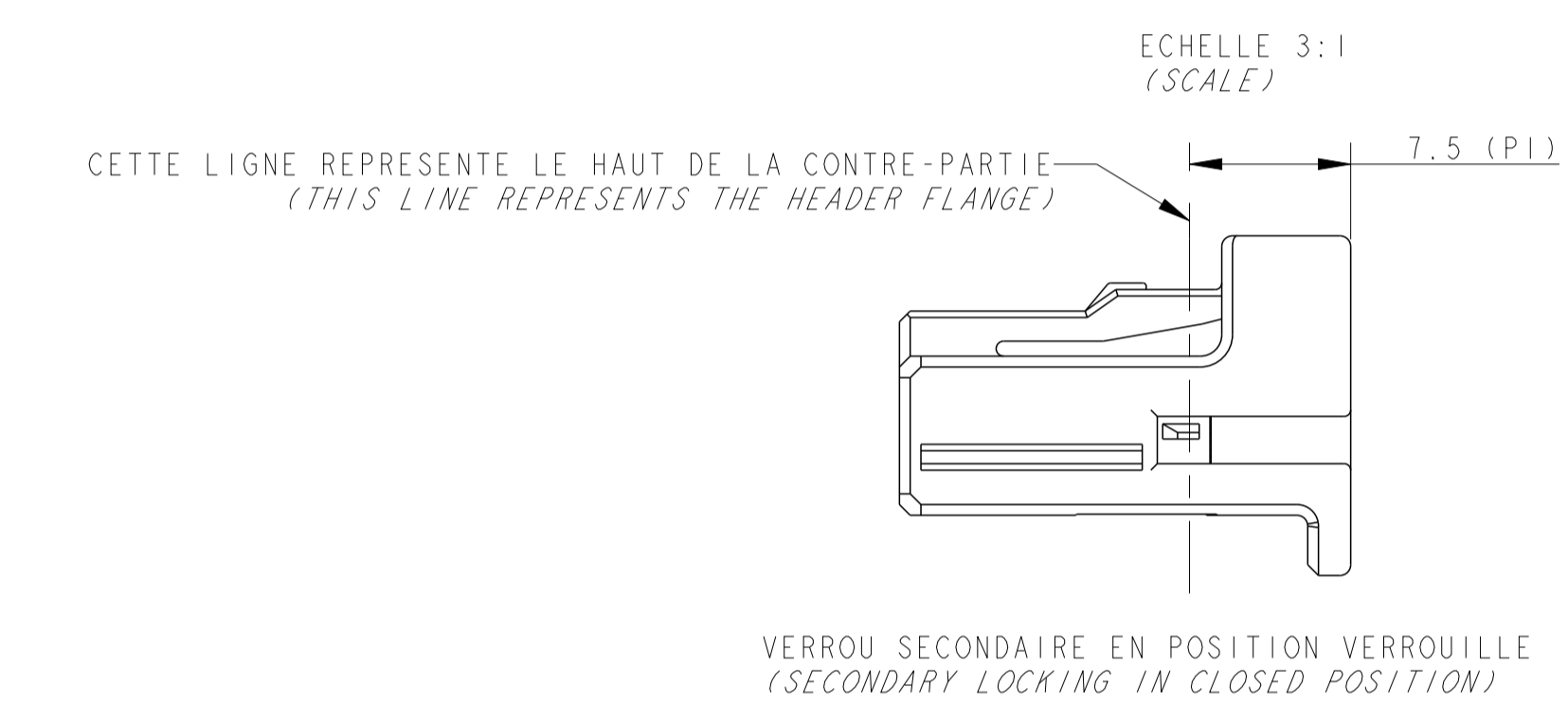
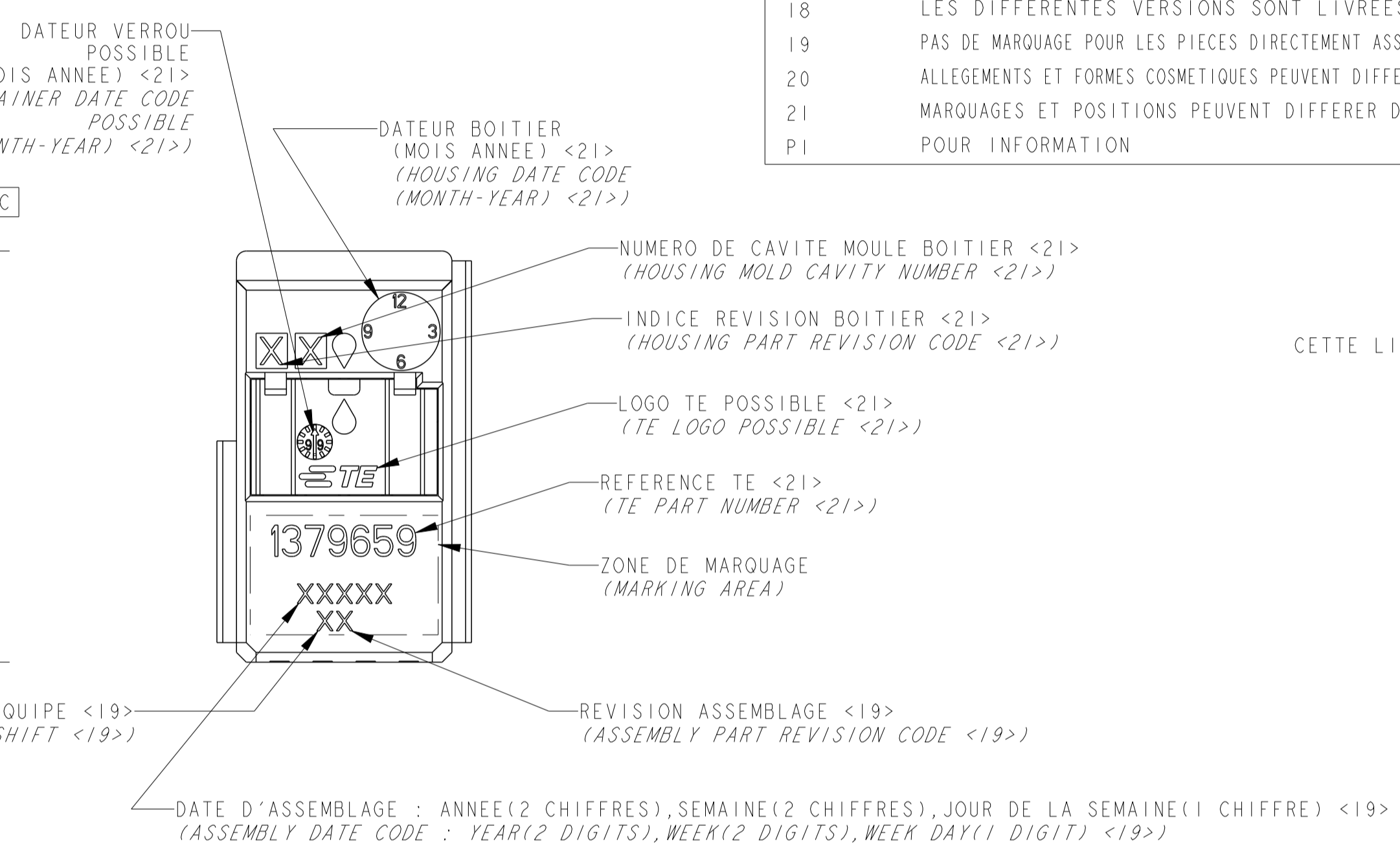
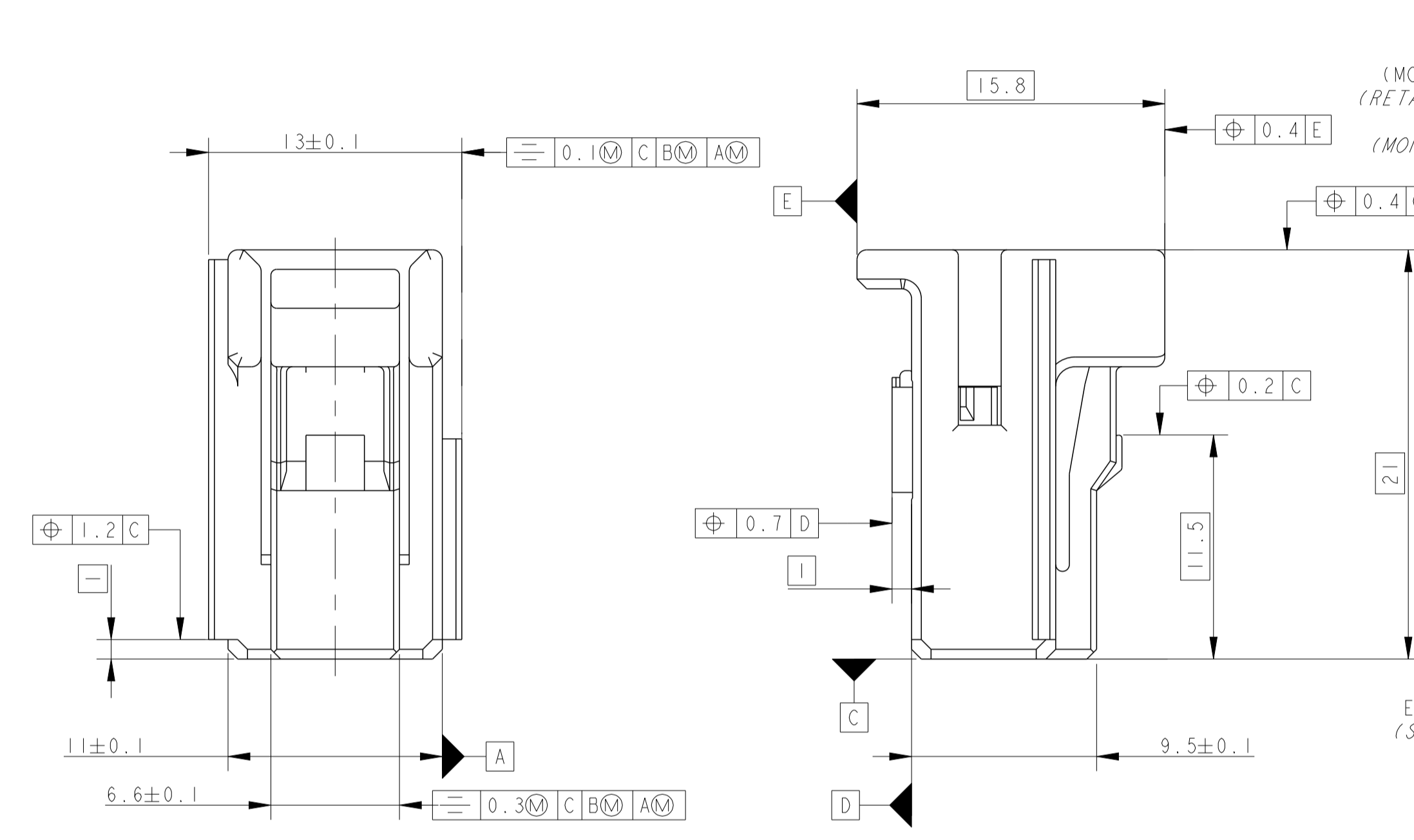


LOC		DIST		REVISIONS					
P	LTN	REV	DATE	OWN	DESIGN	APP	DATE	OWN	APP
F		00							
H			02AUG2013	DB	JPP				
J			23OCT2014	DB	JPP				
K			26JUL2016	DB	XR				
L			19DEC2016	DB	XR				



NOTES : LES NOTES LOCALES SONT ENTRE <->
 SPECIFICATIONS DE REFERENCE :
 SPECIFICATION TE : 108-15299
 PLAN D'INTERFACE TE : 1379775
 NOTES COMPLEMENTAIRES :
 12 CAHIER DE PRECONISATION : 411-15672
 13 REFERENCE REPRESENTEE : 1379659-1
 14 VERROU SECONDAIRE PREVERROUILLE (POSITION PREFERENTIELLE DE LIVRAISON). SI LE VERROU N'EST PAS DANS CETTE POSITION, SUIVRE LES INSTRUCTIONS DE LA NOTICE TECHNIQUE TE CONNECTIVITY 411-15672
 18 LES DIFFERENTES VERSIONS SONT LIVREES DE FACON ALEATOIRE
 19 PAS DE MARQUAGE POUR LES PIECES DIRECTEMENT ASSEMBLEES APRES MOULAGE
 20 ALLEGEMENTS ET FORMES COSMETIQUES PEUVENT DIFFERER D'UN MOULE A L'AUTRE
 21 MARQUAGES ET POSITIONS PEUVENT DIFFERER D'UN MOULE A L'AUTRE
 PI POUR INFORMATION

LOCALE NOTES ARE BETWEEN <->
 APPLICABLE SPECIFICATION :
 TE SPECIFICATION (SEE BEFORE)
 TE INTERFACE DRAWING (SEE BEFORE)
 ADDITIONAL NOTES :
 INSTRUCTION SHEET : (SEE BEFORE)
 PART NUMBER SHOWN (SEE BEFORE)
 SECONDARY LOCK IN PRELOCKED POSITION (PREFERRED DELIVERY POSITION). IF SECONDARY LOCKING IS NOT IN THIS POSITION, FOLLOW INSTRUCTIONS OF TE CONNECTIVITY SPECIFICATION 411-15672
 THE DIFFERENT VERSIONS ARE DELIVERED SO RANDOM
 NO MARKING REQUIRED FOR THE PART MOLDING WITH DIRECT ASSEMBLY
 LIGHTENINGS (DIMENSION & LOCATION), COSMETIC SHAPES CAN DIFFER FROM ONE MOLD TO ANOTHER
 MARKING TYPE & LOCATION CAN DIFFER FROM ONE MOLD TO ANOTHER
 FOR REFERENCE ONLY



TE PART NUMBER	DESCRIPTION / DESCRIPTION	CODAGE / KEYING	MATIERE BOITIER - MATIERE VERROU SECONDAIRE / HOUSING MATERIAL - RETAINER MATERIAL	COULEUR BOITIER - COULEUR VERROU SECONDAIRE / HOUSING COLOR - RETAINER COLOR	REVISION ASSEMBLAGE / ASSEMBLY REVISION CODE
1379659-7	CONNECTEUR 8 VOIES / 8 WAY CONNECTOR	7 / 7	PBT-PBT / PBT-PBT	VIOLET-NATUREL / PURPLE-NATURAL	B
1379659-6	CONNECTEUR 8 VOIES / 8 WAY CONNECTOR	6 / 6	PBT-PBT / PBT-PBT	ROUGE-NATUREL / RED-NATURAL	B
1379659-5	CONNECTEUR 8 VOIES / 8 WAY CONNECTOR	NEUTRE / NEUTRAL	PBT-PBT / PBT-PBT	NATUREL-NATUREL / NATURAL-NATURAL	B
1379659-4	CONNECTEUR 8 VOIES / 8 WAY CONNECTOR	4 / 4	PBT-PBT / PBT-PBT	VERT-NATUREL / GREEN-NATURAL	B
1379659-3	CONNECTEUR 8 VOIES / 8 WAY CONNECTOR	3 / 3	PBT-PBT / PBT-PBT	BLEU-NATUREL / BLUE-NATURAL	B
1379659-2	CONNECTEUR 8 VOIES / 8 WAY CONNECTOR	2 / 2	PBT-PBT / PBT-PBT	GRIS-NATUREL / GREY-NATURAL	B
1379659-1	CONNECTEUR 8 VOIES / 8 WAY CONNECTOR	1 / 1	PBT-PBT / PBT-PBT	NOIR-NATUREL / BLACK-NATURAL	B

THIS DRAWING IS A CONTROLLED DOCUMENT. OWN / BREVETE : 29 OCT 2002 D. BANCE / CHM / PERITIE : 04 NOV 2002 B. DUPOND

APVD / APPROUVE : 04 NOV 2002 JP. PICAUD / PRODUCT SPEC : SEE TABLE

APPLICATION SPEC : SEE TABLE

WEIGHT : - / MASSE APPROX. : -

CUSTOMER DRAWING / PLAN CLIENT

UNIFORMITY FOUR REFERENCE

SCALE ECHELLE : 4:1

SHEET FEUILLE : 1 OF 2

REV L

STE TE Connectivity

025 TH 8 POS PLUG HOUSING

SIZE FORMAT : A1

CAGE CODE DRAWING NO IN PLAN : 100779

DRAWING NO : 1379659

LOC	DIST	REVISIONS				
P	LTN	REV	DESCRIPTION	DATE	DWN	APPV
			MODIFICATIONS		DESS	APP
F	00	-	SEE SHEET 1	-	-	-

PN 1379659-1	PN 1379659-2	PN 1379659-3	PN 1379659-4	PN 1379659-5	PN 1379659-6	PN 1379659-7
CODAGE 1 (NOIR) KEYING 1 (BLACK)	CODAGE 2 (GRIS) KEYING 2 (GRAY)	CODAGE 3 (BLEU) KEYING 3 (BLUE)	CODAGE 4 (VERT) KEYING 4 (GREEN)	CODAGE NEUTRE (NATUREL) NEUTRAL KEYING (NATURAL)	CODAGE 6 (ROUGE) KEYING 6 (RED)	CODAGE 7 (VIOLET) KEYING 7 (PURPLE)

THIS DRAWING IS A CONTROLLED DOCUMENT.

DWN / BRESSINE: 29 OCT 2002
 D. BANCE
 CHK / VERIFIE: 04 NOV 2002
 B. DUPOND

APVD / APPROUVE: 04 NOV 2002
 JP. PICAUD

NAME: 025 TH 8 POS PLUG HOUSING

PRODUCT SPEC: SEE TABLE
 SPEC. PRODUCT: SEE TABLE
 APPLICATION SPEC: SEE TABLE
 SPEC. APPLICATION: SEE TABLE

SIZE: A1
 CAGE CODE: 1379659
 DRAWING NO: 1379659

RESTRICTED TO RESERVE A

CUSTOMER DRAWING / PLAN CLIENT UNIFORMEMENT FOUR REFERENCE SCALE 4:1 SHEET 2 OF 2 REV L