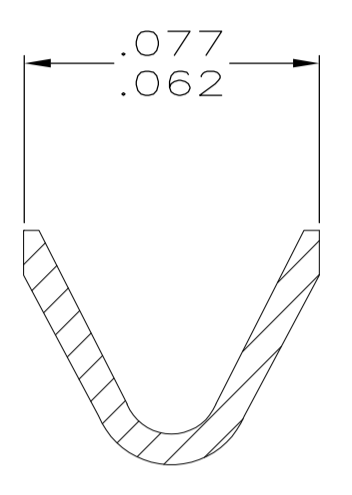
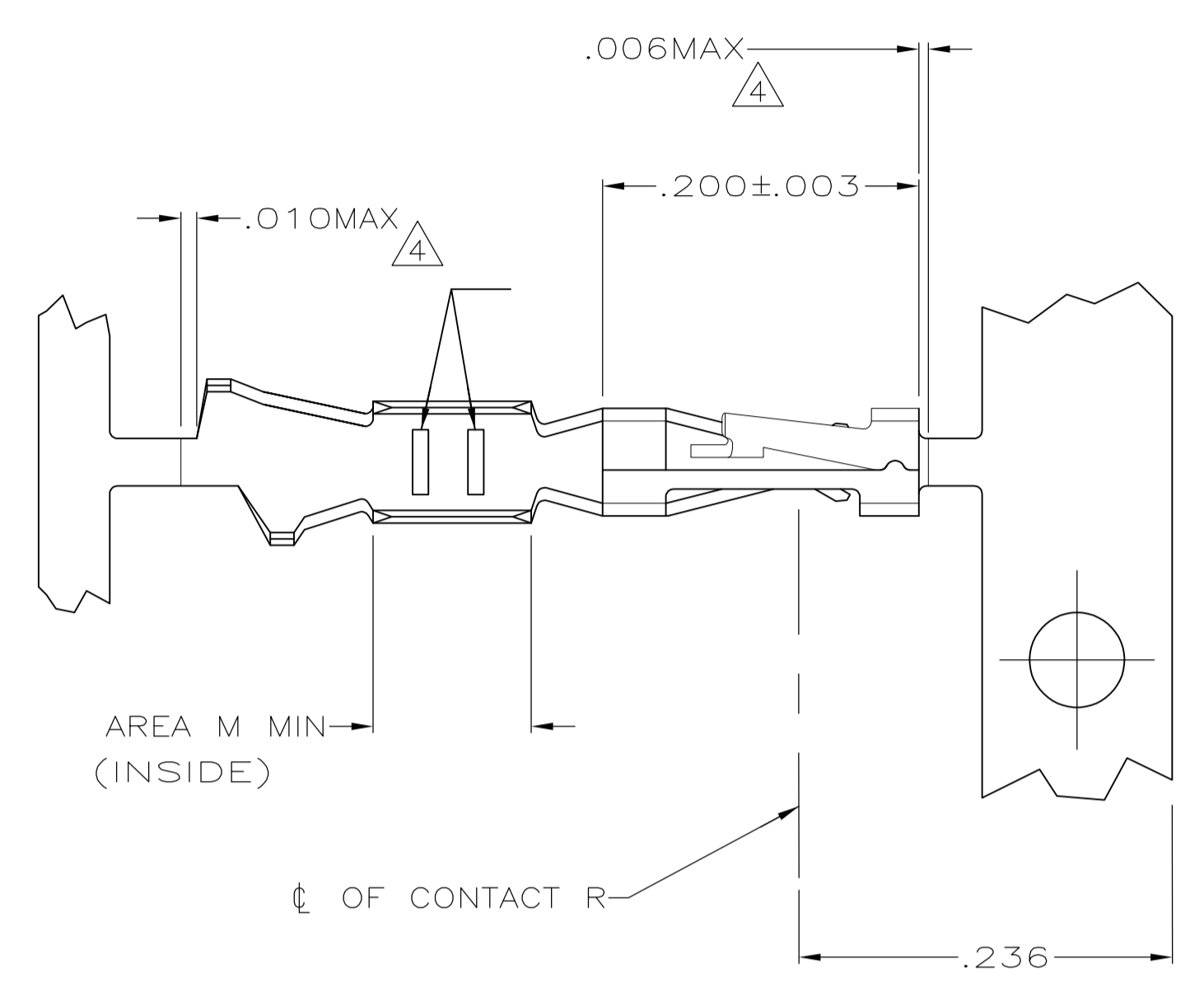
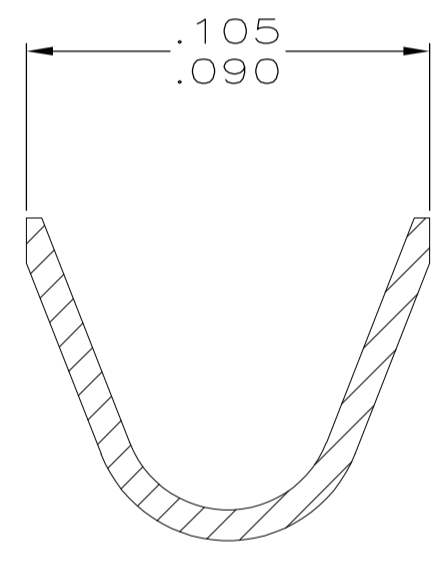
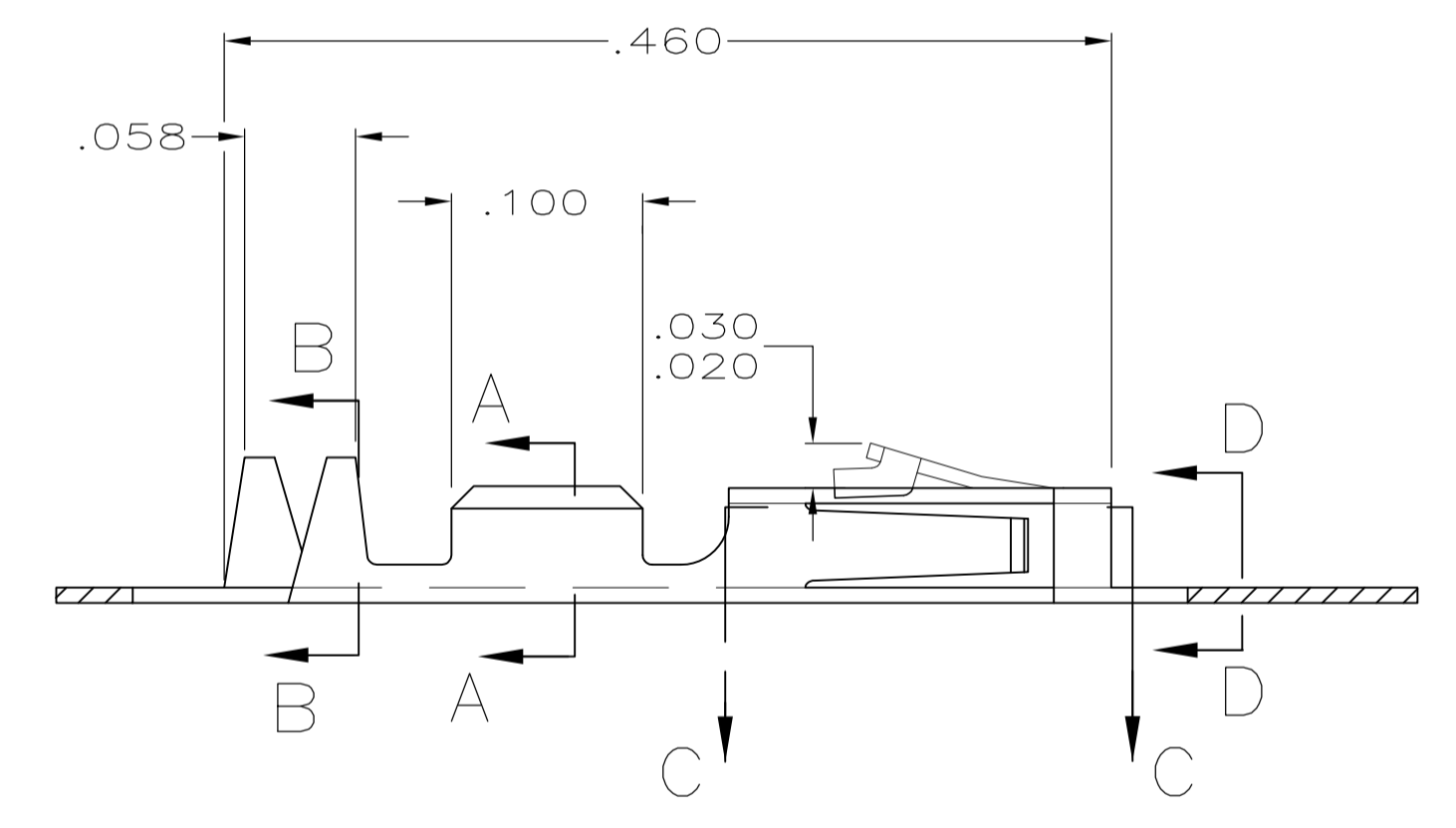


| LOC | DIST                      | REVISIONS |             |         |     |      |
|-----|---------------------------|-----------|-------------|---------|-----|------|
| AD  | 39                        | REV       | DESCRIPTION | DATE    | DWN | APVD |
| S1  | REVISED PER ECO-11-004587 |           |             | 11MAR11 | RK  | HMR  |

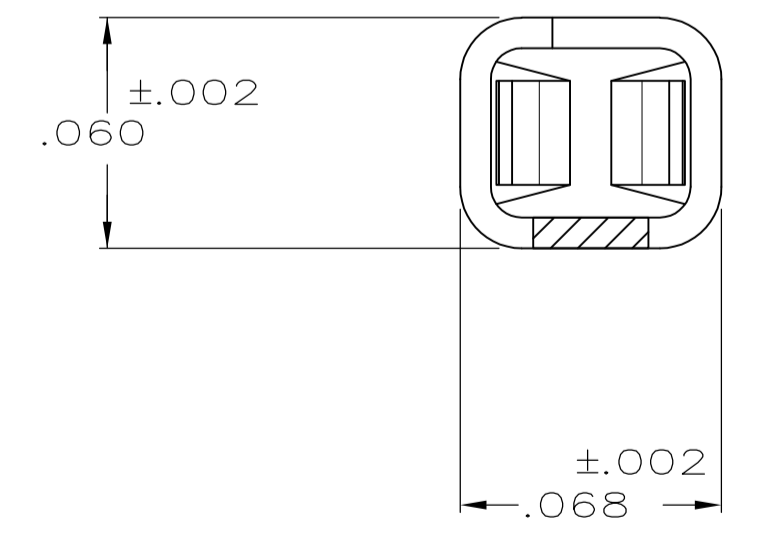
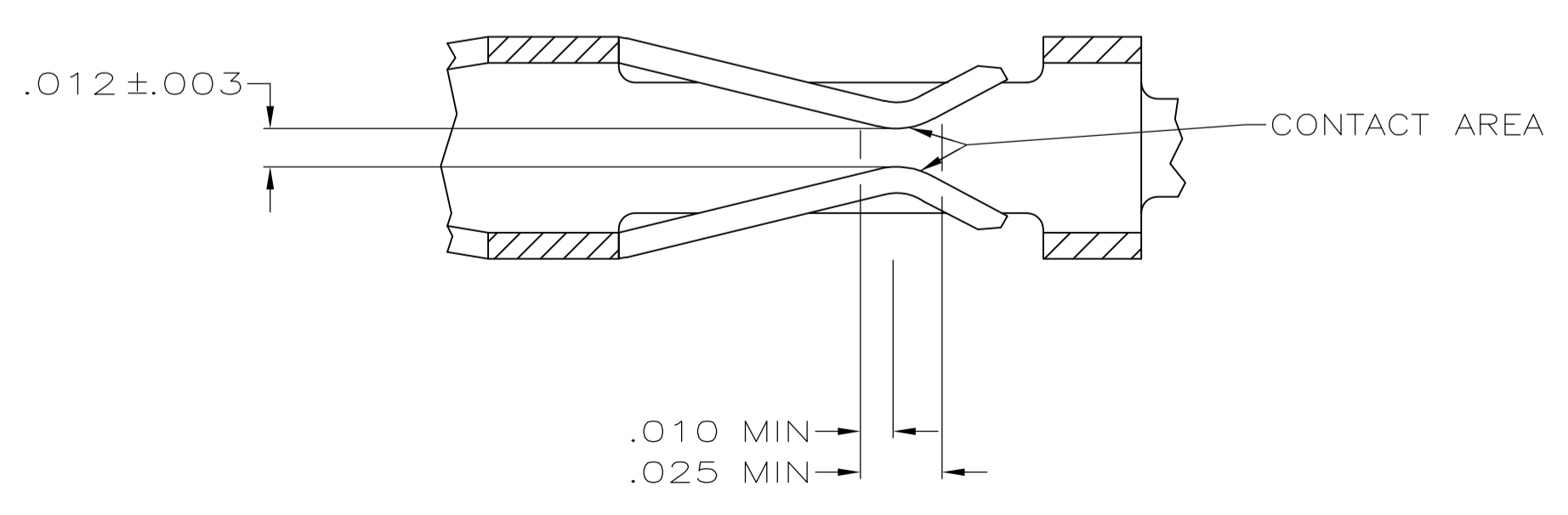
- ① .000100 MIN BRIGHT TIN-LEAD OVER .000050 MIN NICKEL ON ENTIRE CONTACT
- ② .000050 MIN NICKEL ON ENTIRE CONTACT; .000015 MIN GOLD ON CONTACT AREA; .000050 MIN BRIGHT TIN-LEAD ON AREA M.
- ③ .000050 MIN NICKEL ON ENTIRE CONTACT; .000030 MIN GOLD ON CONTACT AREA; .000050 MIN BRIGHT TIN-LEAD ON AREA M.
- ④ LOOSE PIECE CUT-OFF DIMENSION.
- ⑤ OBSOLETE PART NUMBER.
- ⑥ .000015 MIN GOLD ON CONTACT AREA, .000050 MIN TIN ON AREA M, ALL OVER .000050-.000100 NICKEL ON ENTIRE CONTACT.
- ⑦ .000030 MIN GOLD ON CONTACT AREA, .000050 MIN TIN ON AREA M, ALL OVER .000050-.000100 NICKEL ON ENTIRE CONTACT.
- ⑧ .000100-.000200 TIN OVER .000050 MIN NICKEL ON ENTIRE CONTACT.



SECTION A-A  
SCALE 20:1



SECTION B-B  
INSULATION RANGE .025-.060  
SCALE 20:1



SECTION D-D  
SCALE 20:1

SECTION C-C  
SCALE 20:1

| REMARKS     | FINISH | PART NO    |
|-------------|--------|------------|
| STRIP       | ⑧      | 1-104480-7 |
| LOOSE PIECE | ⑦ REF  | 1-104480-6 |
| LOOSE PIECE | ⑥ REF  | 1-104480-5 |
| LOOSE PIECE | ⑥ REF  | 1-104480-4 |
| STRIP       | ⑦      | 1-104480-3 |
| STRIP       | ⑥      | 1-104480-2 |
| LOOSE PIECE |        | 1-104480-1 |
| LOOSE PIECE |        | 1-104480-0 |
| LOOSE PIECE | ③ REF  | 104480-9   |
| LOOSE PIECE | ② REF  | 104480-8   |
| LOOSE PIECE | ① REF  | 104480-7   |
| STRIP       |        | 104480-6   |
| STRIP       |        | 104480-5   |
| STRIP       | ③      | 104480-4   |
| STRIP       | ②      | 104480-3   |
| STRIP       | ①      | 104480-2   |

THIS DRAWING IS A CONTROLLED DOCUMENT.

|  |  |   |   |
|--|--|---|---|
| DIMENSIONS: INCHES   | TOLERANCES UNLESS OTHERWISE SPECIFIED: | DIN C. OBERMAN 5-10-89  | TE Connectivity   |
| 0 PLC ± -<br>1 PLC ± -<br>2 PLC ± -<br>3 PLC ± .005<br>4 PLC ± -<br>ANGLES ± - | SEE TABLE                              | CHK K. HELM 5-12-89<br>APVD R. ELICKER 5-12-89<br>NAME<br>PRODUCT SPEC 108-1472<br>APPLICATION SPEC 114-25038 |   |
| MATERIAL PHOSPHOR BRONZE   | FINISH                                 | SIZE A1   | CONTACT, CRIMP SNAP-IN<br>AMPMODU SHORT POINT, 22-26 AWG<br>DRAWING NO 104480<br>WEIGHT<br>CUSTOMER DRAWING |

SCALE 10:1 SHEET 1 OF 1 REV S1

# Mouser Electronics

Authorized Distributor

Click to View Pricing, Inventory, Delivery & Lifecycle Information:

## TE Connectivity:

[1-104480-2 \(Mouser Reel\)](#) [1-104480-2 \(Cut Strip\)](#) [1-104480-7 \(Mouser Reel\)](#) [1-104480-7 \(Cut Strip\)](#) [1-104480-3 \(CUT STRIP\)](#) [1-104480-3 \(MOUSER REEL\)](#)