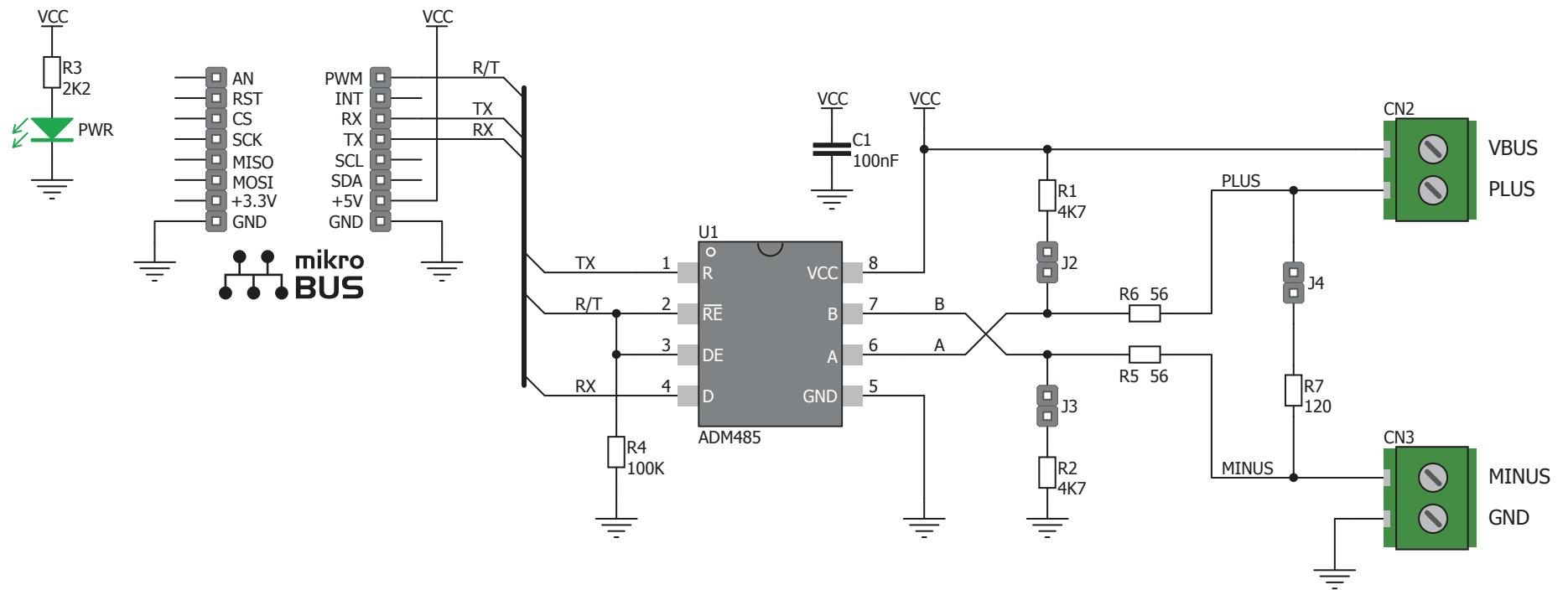


# RS485 5V click schematic v100



[www.mikroe.com](http://www.mikroe.com)

# Mouser Electronics

Authorized Distributor

Click to View Pricing, Inventory, Delivery & Lifecycle Information:

[Mikroe:](#)

[MIKROE-925](#)