

This document is the property of Amphenol Corporation and is delivered on the express condition that it is not to be disclosed, reproduced or used, in whole or in part, for manufacture or sale by anyone other than Amphenol Corporation without its prior consent, and that no right is granted to disclose or to use any information in this document.

The marking on this product doesn't contain environmental hazardous materials per Material Specification SS-00259 for Sony GP compliant or per directive 2011/65/EU for RoHS compliant.



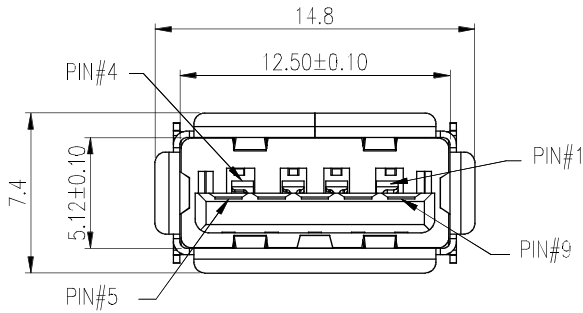
ORIGINAL



REVISIONS				
SYM	ECN No.	DESCRIPTION	DATE	APPROVED
A	NE-14111	APPROVED REVISION	06/16/2014	Arron Lin

NOTES:

- MATERIAL:
HOUSING: THERMAL PLASTIC, OPTIONS, UL94V-0, COLOR: OPTION.
TERMINAL(5P): BRASS.
TERMINAL(4P): PHOSPHOR BRONZE.
SHELL: Sk7.
- FINISH:
TERMINAL:
CONTACT AREA: SELECTED GOLD PLATING THICKNESS MIN.;
SOLDERING AREA: TIN PLATING 100 μ" THICKNESS MIN.;
UNDER PLATING: NICKEL PLATING 50 μ" THICKNESS MIN. OVERALL
SHELL:
NICKEL PLATING 50 μ" THICKNESS MIN. OVERALL.
- PACKING IS PER AMTA PACKING SPECIFICATION PKS-0001.
- WAVE SOLDER CAPABLE TO 265°C
- THIS PRODUCT DOESN'T CONTAIN ENVIRONMENTAL HAZARDOUS PER DIRECTIVE 2011/65/EU FOR RoHS COMPLIANT.
- PRODUCT SPECIFICATION REFER TO : PS-7530

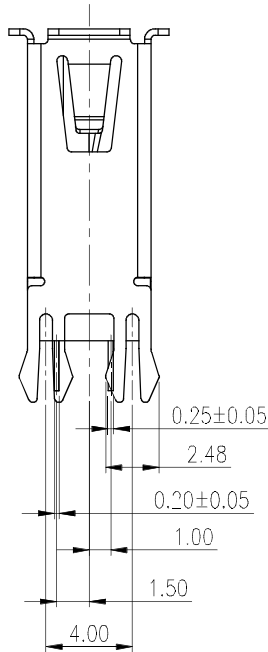
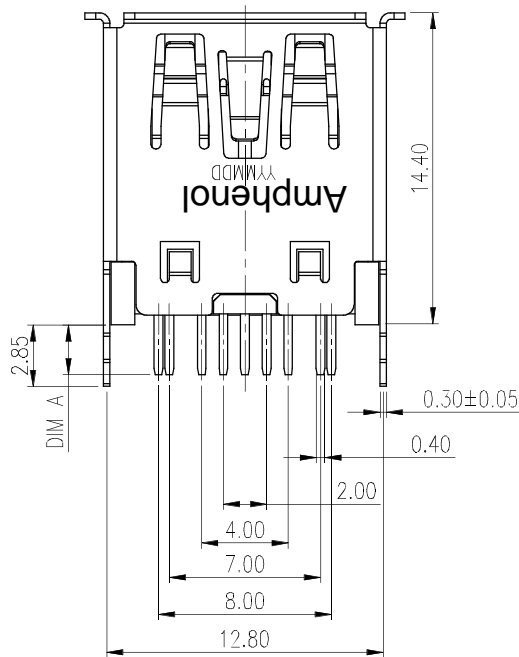


PART NO. GSB4121 X X X CHR

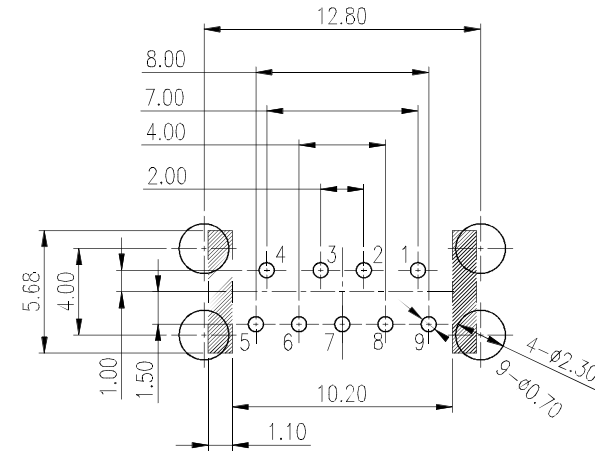
CONTACT FINISH
1: GOLD FLASH
2: 15 μ" GOLD
3: 30 μ" GOLD

DIM A
BLANK : 2.30mm
1 : 3.0mm

COLOR
7: PA4T BLUE(300C)



Pin Number	Signal Name
1	VBUS
2	D-
3	D+
4	GND
5	SSRX-
6	SSRX+
7	GND_DRAIN
8	SSTX-
9	SSTX+
Shell	Shield



RECOMMENDED P.C.B LAYOUT
TOLERANCE: ±0.05(TOP VIEWS)
KEEP OUT AREA

TOLERANCE	APPROVALS	DATE	TITLE		PAPER	
X. ±0.30	DRAWN Debby Hung	06/16/2014	GSB4 SERIES, USB 3.1 A TYPE, SINGLE PORT STRAIGHT, PCB MOUNT		Amphenol® Amphenol Corporation Amphenol Taiwan Corporation	
X.X ±0.20						
X.XX ±0.10	CHECKED Roger Tsai	06/16/2014	UNIT mm		SIZE A3	PAPT No. GSB4121XXXCHR
ANGULAR ±1°	APPROVED Arron Lin	06/16/2014	SCALE NA		SHEET 1 OF 2	DWG No. GSB4121XXXCHR
UNLESS OTHERWISE SPECIFIED	DWG TYPE CUST DWG	PROJECT CODE OTHER			REV. A	

This document is the property of Amphenol Corporation and is delivered on the express condition that it is not to be disclosed, reproduced or used, in whole or in part, for manufacture or sale by anyone other than Amphenol Corporation without its prior consent, and that no right is granted to disclose or to use any information in this document.

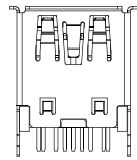
The marking on this product doesn't contain environmental hazardous materials per Material Specification SS-00259 for Sony GP compliant or per directive 2011/65/EU for RoHS compliant.



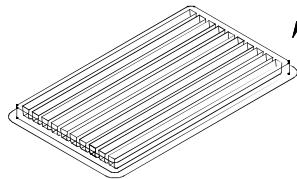
ORIGINAL



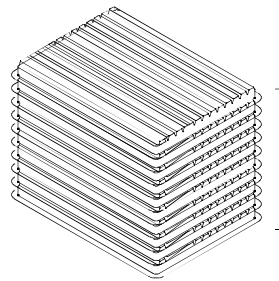
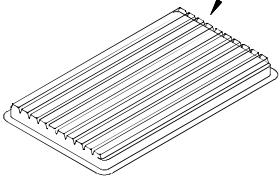
REVISIONS				
SYM	ECN No.	DESCRIPTION	DATE	APPROVED
A	NE-14111	APPROVED REVISION	06/16/2014	Arron Lin



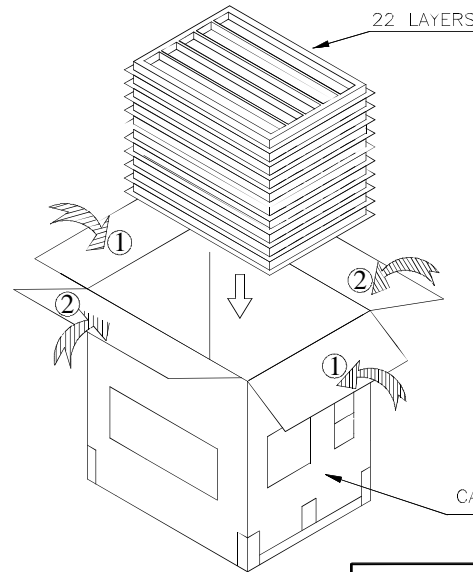
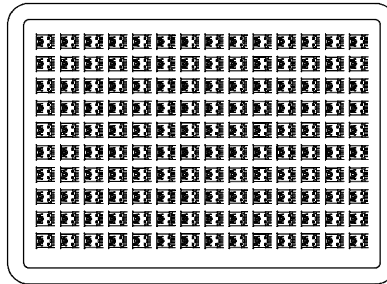
140 PCS/TRAY



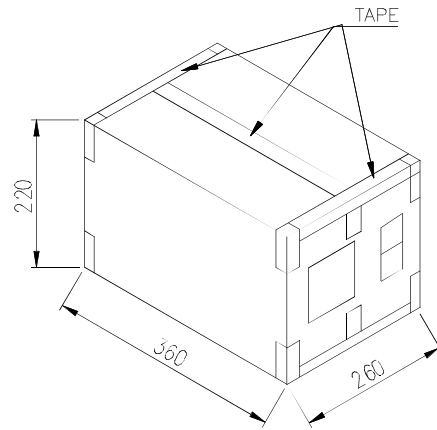
COVER TRAY



22 LAYERS



CARTON



PACKAGING BY TRAY	7.16	6.16	140	22	3080	GSB4121X XXCHR
	G/W KG	N/W KG	PCS/TRAY	TRAYS/BOX	QUANTITY (PCS)	PART NUMBER

TOLERANCE	APPROVALS	DATE	TITLE			PART No.		
X. ±0.30	DRAWN Debby Hung	06/16/2014	GSB4 SERIES, USB 3.1 A TYPE, SINGLE PORT STRAIGHT, PCB MOUNT			Amphenol ® Amphenol Corporation Amphenol Taiwan Corporation		
X.X ±0.20	CHECKED Roger Tsai	06/16/2014						
X.XX ±0.10	APPROVED Arron Lin	06/16/2014						
ANGULAR ±1°	DWG TYPE CUST DWG	PROJECT CODE OTHER		UNIT mm	SIZE A3	GSB4121XXXCHR		
UNLESS OTHERWISE SPECIFIED				SCALE NA	SHEET 2 OF 2	DWG No.	GSB4121XXXCHR	REV. A

Mouser Electronics

Authorized Distributor

Click to View Pricing, Inventory, Delivery & Lifecycle Information:

[Amphenol:](#)

[GSB412137CHR](#)