

APPROVAL SHEET

MR12, MR10, MR08, MR06, MR04

±1%, ±5%

Thick film General Purpose Chip Resistors

Size 1206, 1210, 0805, 0603, 0402

Automotive & Military Compliant

*Contents in this sheet are subject to change without prior notice.

FEATURE

1. High reliability and stability $\pm 1\%$
2. Sulfuration resistant ASTM B-809 60°C 500 hrs
3. Automotive AEC Q-200 & Military MIL-STD Compliant
4. 100% CCD inspection
5. RoHS 2 compliant and Halogen free products

APPLICATION

- Automotive application
- Consumer electrical equipment
- EDP, Computer application
- Telecom application

DESCRIPTION

The resistors are constructed in a high grade ceramic body (aluminum oxide). Internal metal electrodes are added at each end and connected by a resistive paste that is applied to the top surface of the substrate. The composition of the paste is adjusted to give the approximate resistance required and the value is trimmed to within tolerance by laser cutting of this resistive layer.

The resistive layer is covered with a protective coat. Finally, the two external end terminations are added. For ease of soldering the outer layer of these end terminations is a Tin (lead free) alloy.

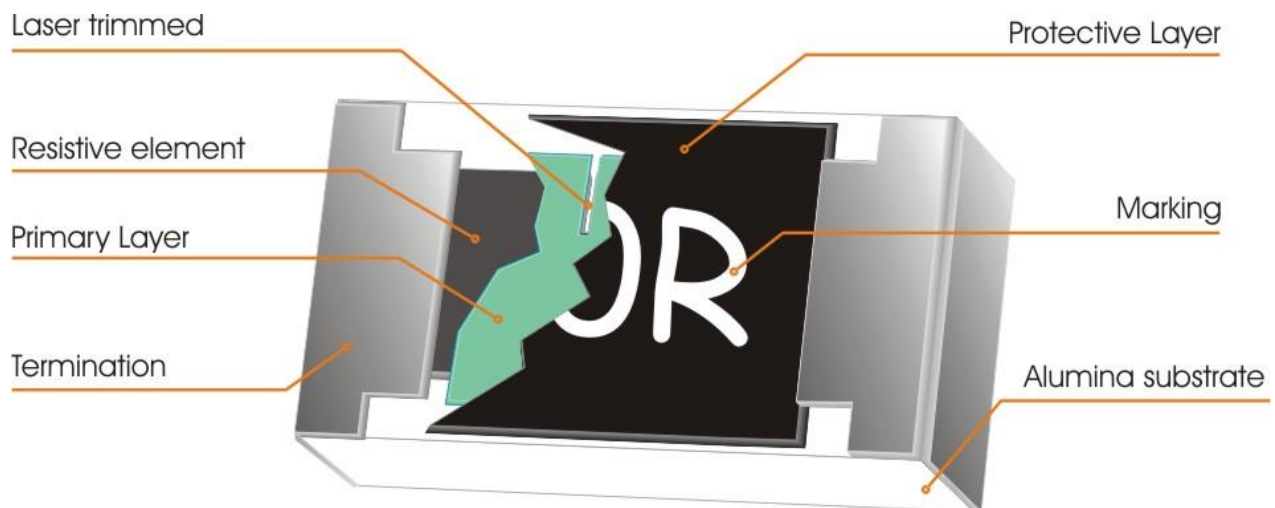


Fig 1. Construction of a Chip-R

QUICK REFERENCE DATA

Item	General Specification									
Series No.	MR10		MR12		MR08		MR06		MR04	
Size code	1210(3225)		1206(3216)		0805(2012)		0603(1608)		0402(1005)	
Resistance Range	1Ω~10MΩ (±5% tolerance), Jumper 1Ω~10MΩ (±1% tolerance)									
Resistance Tolerance	±1% E96/E24	±5% E24	±1% E96/E24	±5% E24	±1% E96/E24	±5% E24	±1% E96/E24	±5% E24	±1% E96/E24	±5% E24
TCR (ppm/°C)										
R > 1MΩ	≤ ± 200		≤ ± 200		≤ ± 200		≤ ± 200		≤ ± 200	
10Ω < R ≤ 1MΩ	≤ ± 100		≤ ± 100		≤ ± 100		≤ ± 100		≤ ± 100	
R ≤ 10Ω	-200~+400		-200~+400		-200~+400		-200~+400		-200~+400	
Max. dissipation @ T _{amb} =70°C	1/2 W		1/4 W		1/4 W		1/8 W		1/10 W	
Max. Operation Voltage (DC or RMS)	200V		200V		150V		75V		50V	
Max. Overload Voltage (DC or RMS)	400V		400V		300V		150V		100V	
Climatic category (IEC 60068)	55/155/56									

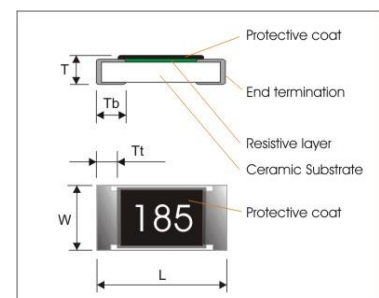
Note :

- This is the maximum voltage that may be continuously supplied to the resistor element, see "IEC publication 60115-8"
- Max. Operation Voltage : So called RCWV (Rated Continuous Working Voltage) is determined by

$$RCWV = \sqrt{\text{Rated Power} \times \text{Resistance Value}} \text{ or Max. RCWV listed above, whichever is lower.}$$
- The resistance of Jumper is defined <0.05Ω.

DIMENSIONS (unit : mm)

	MR10	MR12	MR08	MR06	MR04
L	3.10 ± 0.10	3.10 ± 0.10	2.00 ± 0.10	1.60 ± 0.10	1.00 ± 0.05
W	2.60 ± 0.10	1.60 ± 0.10	1.25 ± 0.10	0.80 ± 0.10	0.50 ± 0.05
T	0.55 ± 0.10	0.60 ± 0.15	0.50 ± 0.15	0.45 ± 0.15	0.35 ± 0.05
Tb	0.50 ± 0.20	0.45 ± 0.20	0.40 ± 0.20	0.30 ± 0.15	0.25 ± 0.10
Tt	0.50 ± 0.20	0.50 ± 0.20	0.40 ± 0.20	0.30 ± 0.10	0.20 ± 0.10



MARKING

Size \ Nr. Of digit of code\tolerance	$\pm 5\%$	$\pm 1\%$
1210/1206/0805	3-digits marking	4-digits marking
0603 (1608)	3-digits marking	3-digits marking
0402(1005)	NO MARKING	

3-digits marking ($\pm 5\%$: 1206, 1210, 0805 & 0603)

Each resistor is marked with a three digits code on the protective coating to designate the nominal resistance value.

3-digits marking ($\pm 1\%$: 0603)

Nominal resistance	Description														
1.E-24 series	As 0603 WR06X $\pm 5\%$.														
2.E-96 series	The 1st two digit codes are referring to the CODE on the table, the 3rd code is the index of resistance value : $Y=10^{-2}$, $X=10^{-1}$, $A=10^0$, $B=10^1$, $C=10^2$, $D=10^3$, $E=10^4$, $F=10^5$ EX : 17.8 Ω =25X , 178 Ω =25A , 1K78 =25B 17K8=25C , 178K=25D , 1M78=25E														
3. Remark	There is no marking for the items are not under E-24 and E-96 series														
CODE	R_value	CODE	R_value	CODE	R_value	CODE	R_value	CODE	R_value	CODE	R_value	CODE	R_value	CODE	R_value
01	100	13	133	25	178	37	237	49	316	61	422	73	562	85	750
02	102	14	137	26	182	38	243	50	324	62	432	74	576	86	768
03	105	15	140	27	187	39	249	51	332	63	442	75	590	87	787
04	107	16	143	28	191	40	255	52	340	64	453	76	604	88	806
05	110	17	147	29	196	41	261	53	348	65	464	77	619	89	825
06	113	18	150	30	200	42	267	54	357	66	475	78	634	90	845
07	115	19	154	31	205	43	274	55	365	67	487	79	649	91	866
08	118	20	158	32	210	44	280	56	374	68	499	80	665	92	887
09	121	21	162	33	215	45	287	57	383	69	511	81	681	93	909
10	124	22	165	34	221	46	294	58	392	70	523	82	698	94	931
11	127	23	169	35	226	47	301	59	402	71	536	83	715	95	953
12	130	24	174	36	232	48	309	60	412	72	549	84	732	96	976

4-digits marking ($\pm 1\%$: 1210/1206/0805)

Each resistor is marked with a four digits code on the protective coating to designate the nominal resistance value.

Example

RESISTANCE	10 Ω	12 Ω	100 Ω	6800 Ω	47000 Ω
3-digits marking (1210, 1206, 0805, 0603 $\pm 5\%$)	100	120	101	682	473
4-digits marking	10R0	12R0	1000	6801	4702

FUNCTIONAL DESCRIPTION

Product characterization

Standard values of nominal resistance are taken from the E24 series for resistors with a tolerance of $\pm 5\%$, and E24+E96 series for resistors with a tolerance of $\pm 1\%$. The values of the E24/E96 series are in accordance with "IEC publication 60063".

Derating

The power that the resistor can dissipate depends on the operating temperature; see Fig.2.1

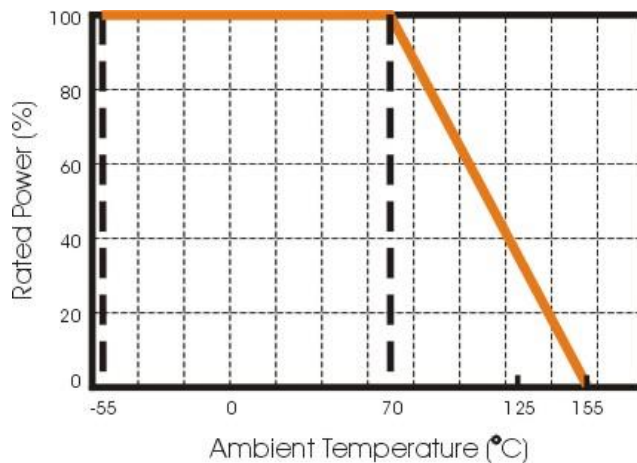


Figure 2.1 Maximum dissipation in percentage of rated power as a function of the ambient temperature

MOUNTING

Due to their rectangular shapes and small tolerances, Surface Mountable Resistors are suitable for handling by automatic placement systems.

Chip placement can be on ceramic substrates and printed-circuit boards (PCBs).

Electrical connection to the circuit is by individual soldering condition.

The end terminations guarantee a reliable contact.

SOLDERING CONDITION

The robust construction of chip resistors allows them to be completely immersed in a solder bath 260°C for 10 seconds. Therefore, it is possible to mount Surface Mount Resistors on one side of a PCB and other discrete components on the reverse (mixed PCBs).

Surface Mount Resistors are tested for solderability at 235°C during 2 seconds. The test condition for no leaching is 260°C for 30 seconds. Typical examples of soldering processes that provide reliable joints without any damage are given in Fig 3.

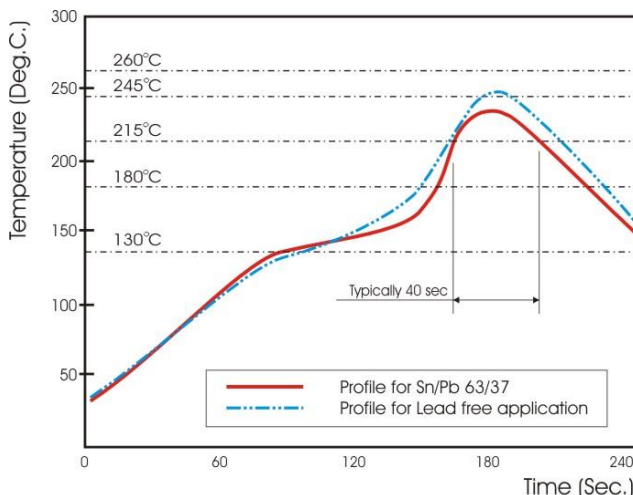


Fig 3. Infrared soldering profile for Chip Resistors

CATALOGUE NUMBERS

The resistors have a catalogue number starting with .

MR12	X	472_	J	T	L
Automotive code	Type code	Resistance code	Tolerance	Packaging code	Termination code
MR10 : 1210	X :	±5%, E24: 2 significant digits followed by no. of zeros and a blank	F : ±1%	T : 7" Reeled taping	L = Sn base (lead free)
MR12 : 1206	Jumper	220Ω = 221_	J : ±5%	D : 7" Reel 20K/RL 0402 size	
MR08 : 0805	±5%, 1Ω ~ 10MΩ	4K7 = 472_	P : Jumper	Q : 10" Reeled taping	
MR06 : 0603	±1%, 10Ω ~ 1MΩ	10Ω = 100_		G : 13" Reeled taping	
MR04: 0402	W :	1Ω =1R0_		B : Bulk	
	±1%, < 10Ω; >1MΩ	(" _ " means a blank)			
		Resistance code			
		±1%, E24+E96: 3 significant digits followed by no. of zeros			
		E96: 37.4KΩ = 3742			
		E24: 220Ω = 2200			
		4K7 = 4701			
		10Ω = 10R0			
		1Ω =1R00			

* Anti-Sulfuration test conditions: ASTM B-809-95 60°C 500hrs, criteria: +/-1% !

MR10, MR12, MR08, MR06:

1. Reeled tape packaging : 8mm width paper taping 5000pcs per 7" reel, 10kpcs per 10" reel, 20kpcs per 13" reel.
2. Bulk packaging : 5000pcs per poly-bag

MR04:

1. Reeled tape packaging : 8mm width paper taping 10,000pcs per reel,
2. Bulk packaging : 10,000pcs per poly-bag

TEST AND REQUIREMENTS

Essentially all tests are carried out according to the schedule of IEC publication 115-8, category **LCT/UCT/56**(rated temperature range : **Lower Category Temperature, Upper Category Temperature**; damp heat, long term, 56 days). The testing also meets the requirements specified by EIA, EIAJ and JIS.

The tests are carried out in accordance with IEC publication 68, "Recommended basic climatic and mechanical robustness testing procedure for electronic components" and under standard atmospheric conditions according to IEC 60068-1, sub-clause 5.3. Unless otherwise specified, the following value supplied :

Temperature: 15 °C to 35 °C.

Relative humidity: 45% to 75%.

Air pressure: 86kPa to 106 kPa (860 mbar to 1060 mbar).

All soldering tests are performed with mildly activated flux.

TEST	PROCEDURE / TEST METHOD	REQUIREMENTS	
		Resistance	0Ω
Electrical Characteristics JISC5201-1: 1998 Clause 4.8	- DC resistance values measurement - Temperature Coefficient of Resistance (T.C.R) Natural resistance change per change in degree centigrade. $\frac{R_2 - R_1}{R_1(t_2 - t_1)} \times 10^6 \text{ (ppm/}^\circ\text{C)} \quad t_1 : 20^\circ\text{C}+5^\circ\text{C}-1^\circ\text{C}$ R ₁ : Resistance at reference temperature R ₂ : Resistance at test temperature	Within the specified tolerance Refer to "QUICK REFERENCE DATA"	
Resistance to soldering heat (R.S.H) MIL-STD-202 method 210	Un-mounted chips completely immersed for 10±1second in a SAC solder bath at 270°C±5°C	ΔR/R max. ±(0.5%+0.05Ω) No visible damage	<50mΩ
Solderability J-STD-002	a) Bake the sample for 155°C dwell time 4hrs/ solder dipping 235°C/ 5sec. b) Steam the sample dwell time 1 hour/ solder dipping 260°C/ 7sec.	95% coverage min., good tinning and no visible damage	
Temperature cycling JESD22 method JA-104	1000 cycles, -55°C ~ +155°C, dwell time 5~10min	ΔR/R max. ±(0.5%+0.05Ω) No visible damage	<50mΩ
Moisture Resistance MIL-STD-202 method 106	65±2°C, 80~100% RH, 10 cycles, 24 hours/ cycle	ΔR/R max. ±(0.5%+0.05Ω) No visible damage	<50mΩ
Bias Humidity MIL-STD-202 method 103	1000+48/-0 hours; 85°C, 85% RH, 10% of operation power	ΔR/R max. ±(1%+0.05Ω) No visible damage	<50mΩ
Operational Life MIL-STD-202 method 108	1000+48/-0 hours; 35% of operation power, 125±2°C	ΔR/R max. ±(1%+0.05Ω) No visible damage	<50mΩ

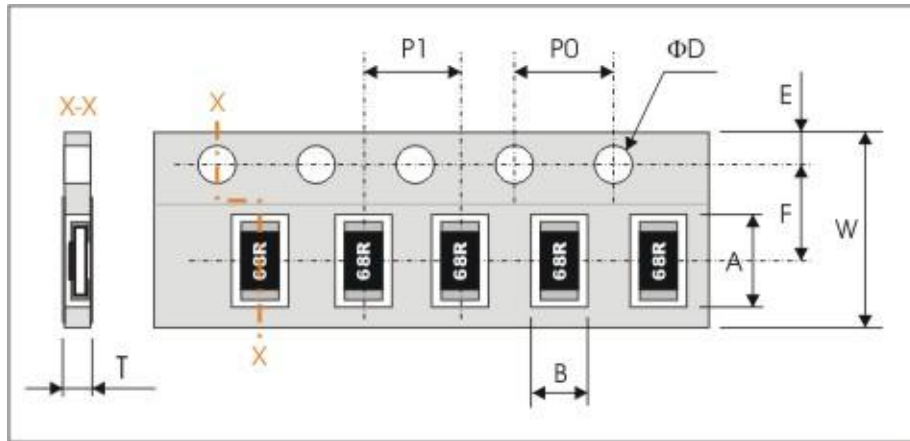
TEST	PROCEDURE / TEST METHOD	REQUIREMENTS	
		Resistance $\pm 5\%$, $\pm 1\%$	0 Ω
High Temperature Exposure MIL-STD-202 method 108	1000+48/-0 hours; without load in a temperature chamber controlled 155 \pm 3 $^{\circ}$ C	$\Delta R/R$ max. $\pm(1\%+0.05\Omega)$ No visible damage	<50m Ω
Mechanical Shock MIL-STD-202 method 213	1/2 Sine Pulse / 1500g Peak / Velocity 15.4ft/sec	Within the specified tolerance No visible damage	<50m Ω
Board Flex AEC-Q200-005	Resistors mounted on a 90mm glass epoxy resin PCB(FR4), bending once 2mm for 10sec	$\Delta R/R$ max. $\pm(1.0\%+0.05\Omega)$. No visible damage	<50m Ω
Terminal strength AEC-Q200-006	Pressurizing force: 1Kg, Test time: 60 \pm 1sec.	No remarkable damage or removal of the terminations	
Vibration MIL-STD-202 method 204	Test 5g's for 20min., 12 cycles each of 3 orientations	$\Delta R/R$ max. $\pm(1.0\%+0.05\Omega)$ No visible damage	<50m Ω
Thermal shock MIL-STD-202 method 107	Test -55 to 155 $^{\circ}$ C / dwell time 15min/ Max transfer time 20sec 300cycles	$\Delta R/R$ max. $\pm(0.5\%+0.05\Omega)$ No visible damage	<50m Ω
ESD AEC-Q200-002	Test contact 1.0KV (0.5KV for 0402 only)	$\Delta R/R$ max. $\pm(1\%+0.05\Omega)$ No visible damage	<50m Ω

TEST CONDITION FOR JUMPER (0 Ω)

Item	MR10	MR12	MR08	MR06	MR04
Power Rating At 70 $^{\circ}$ C	1/2W	1/4W	1/4W	1/8W	1/10W
Resistance	MAX.50m Ω				
Rated Current	3A	2A	2A	1.5A	1A
Peak Current	7.5A	5A	5A	3.5A	3A
Operating Temperature	-55 ~ +155 $^{\circ}$ C				

PACKAGING

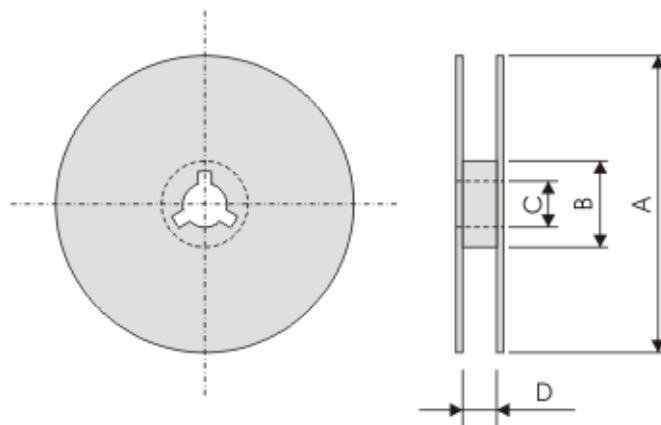
Paper Tape specifications (unit :mm)



Series No.	A	B	W	F	E
MR10	3.60±0.20	3.00±0.20	8.00±0.30	3.50±0.20	1.75±0.10
MR12	3.60±0.20	2.00±0.20			
MR08	2.40±0.20	1.65±0.20			
MR06	1.90±0.20	1.10±0.20			
MR04	1.20±0.10	0.70±0.10			

Series No.	P1	P0	ΦD	T
MR10/12/08	4.00±0.10	4.00±0.10	Φ1.50 ^{+0.1} _{-0.0}	Max. 1.0
MR06				0.65±0.05
MR04				0.40±0.05

7" Reel dimensions



Symbol	A	B	C	D
(unit : mm)	Φ178.0±2.0	Φ60.0±1.0	13.0±0.2	9.0±0.5

Mouser Electronics

Authorized Distributor

Click to View Pricing, Inventory, Delivery & Lifecycle Information:

Walsin:

[MR08X1002FTL](#) [MR06X1471FTL](#) [MR04X16R5FTL](#) [MR08X121 JTL](#) [MR06X6201FTL](#) [MR08W6R34FTL](#)
[MR06X8252FTL](#) [MR04X1371FTL](#) [MR08X1873FTL](#) [MR04X1201FTL](#) [MR04X3480FTL](#) [MR06X1102FTL](#)
[MR04W6R20FTL](#) [MR06X2321FTL](#) [MR04X110 JTL](#) [MR06X135 JTL](#) [MR06X3161FTL](#) [MR08X8661FTL](#)
[MR06X1583FTL](#) [MR06X7153FTL](#) [MR06X3002FTL](#) [MR04W6804FTL](#) [MR06X3R0 JTL](#) [MR08X6802FTL](#)
[MR04X4702FTL](#) [MR04X1740FTL](#) [MR08X242 JTL](#) [MR04X6343FTL](#) [MR08X4700FTL](#) [MR04W1624FTL](#)
[MR08X5602FTL](#) [MR04X6041FTL](#) [MR08X3012FTL](#) [MR04X5103FTL](#) [MR06X8872FTL](#) [MR04X1802FTL](#) [MR04X135](#)
[JTL](#) [MR08X56R2FTL](#) [MR04X3832FTL](#) [MR06X754 JTL](#) [MR04X2402FTL](#) [MR08X1210FTL](#) [MR06X1131FTL](#)
[MR06X8660FTL](#) [MR08W1R60FTL](#) [MR06X2003FTL](#) [MR04X8873FTL](#) [MR08X7503FTL](#) [MR04X301 JTL](#) [MR04X220](#)
[JTL](#) [MR06X9761FTL](#) [MR08X243 JTL](#) [MR08X201 JTL](#) [MR04W3R92FTL](#) [MR06X2051FTL](#) [MR08X821 JTL](#)
[MR08X5603FTL](#) [MR08X164 JTL](#) [MR06X302 JTL](#) [MR04X2R2 JTL](#) [MR04X222 JTL](#) [MR08X621 JTL](#) [MR08X11R5FTL](#)
[MR06X1004FTL](#) [MR08X754 JTL](#) [MR06X6812FTL](#) [MR08X2433FTL](#) [MR08X331 JTL](#) [MR06X1960FTL](#)
[MR08X3322FTL](#) [MR04X5620FTL](#) [MR06X3900FTL](#) [MR06X221 JTL](#) [MR04X6813FTL](#) [MR04X1150FTL](#)
[MR04X3303FTL](#) [MR04X5621FTL](#) [MR04X682 JTL](#) [MR04X9311FTL](#) [MR08X622 JTL](#) [MR06X205 JTL](#)
[MR06X5103FTL](#) [MR08X61R9FTL](#) [MR04X1071FTL](#) [MR04X3090FTL](#) [MR04X685 JTL](#) [MR08X1070FTL](#)
[MR08X1203FTL](#) [MR04X1621FTL](#) [MR06X1912FTL](#) [MR04X1400FTL](#) [MR04X1330FTL](#) [MR04X15R4FTL](#)
[MR06X2552FTL](#) [MR08X1402FTL](#) [MR06X4703FTL](#) [MR04X9093FTL](#) [MR04X1403FTL](#) [MR06X330 JTL](#)
[MR08X8202FTL](#)