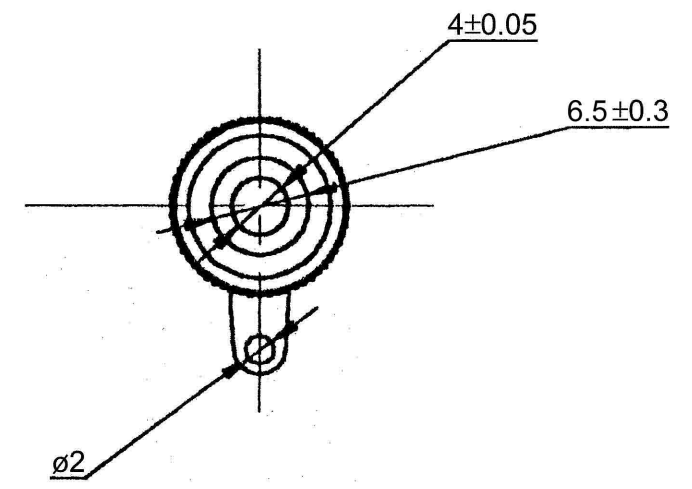
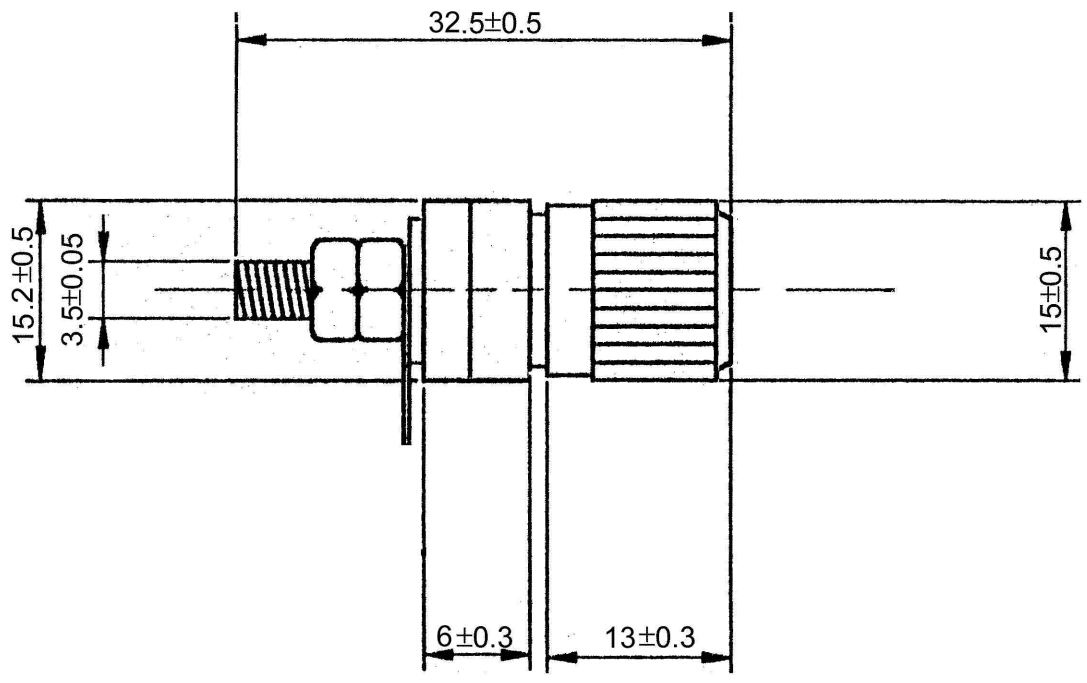


RoHS STANDARD

Drawing For Reference Only



Technical requirement :

- 1 . This product should meet EU RoHS related requirement.
- 2 . The surface of plastic part should be without any crackle such as burr,lack,and so on phenomenon.
- 3 . The surface of metal part should be without any defect such as scaur,nick,oxidation and plating problem.
- 4 . The electronic performance should be the same as spec.
- 5 . The un-specified tolerance is : $0 \sim 1.5 \pm 0.1$
 $1.5 \sim 20 \pm 0.2$

SPECIFICATION:

CONATCT RESISTANCE: 10m OHM MAX
 INSULATION RESISTANCE: 100m OHM MIN AT DC 500V
 WITHSTAND VOLTAGE: AC 500V FOR ONE MINUTE.

DCI DRAGON CITY INDUSTRIES LIMITED

PART NAME	BINDING POST	TOLERANCE : \pm
PART NO.	BP-118-EN(DB)	UNIT: MM

DESIGN	K.W LAW	REMARK		SCALE	
DRAWING	W.K YEUNG	REMARK		MATERIAL	
CHECK	K.L WONG	REMARK		DWG. NO.	A710251600
APPROVAL	K.W CHAN	REMARK		SHEET	