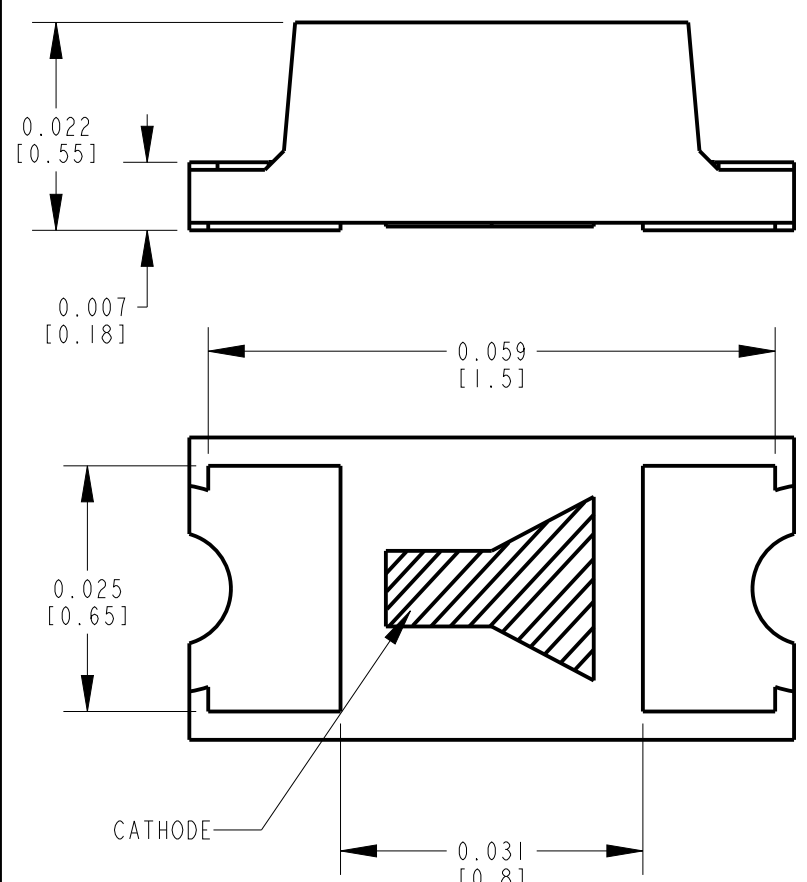
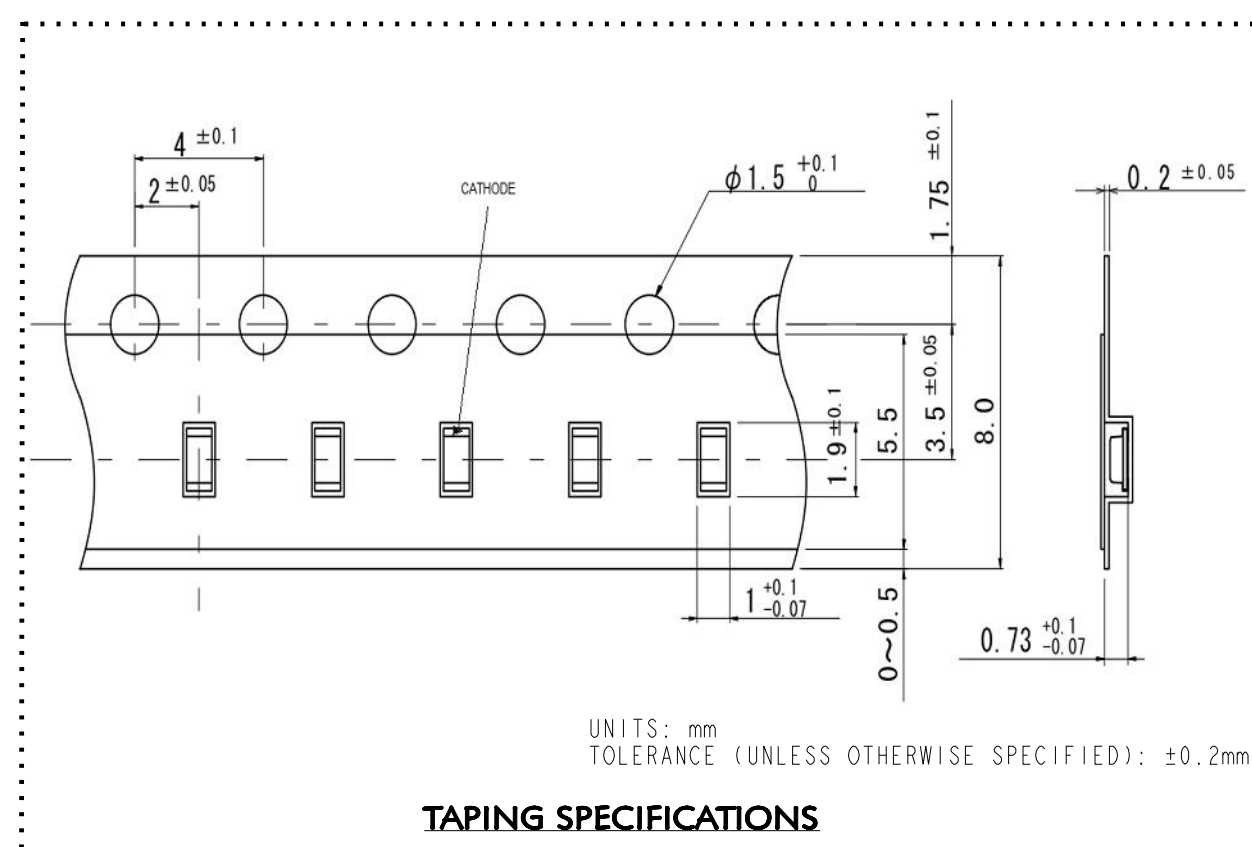
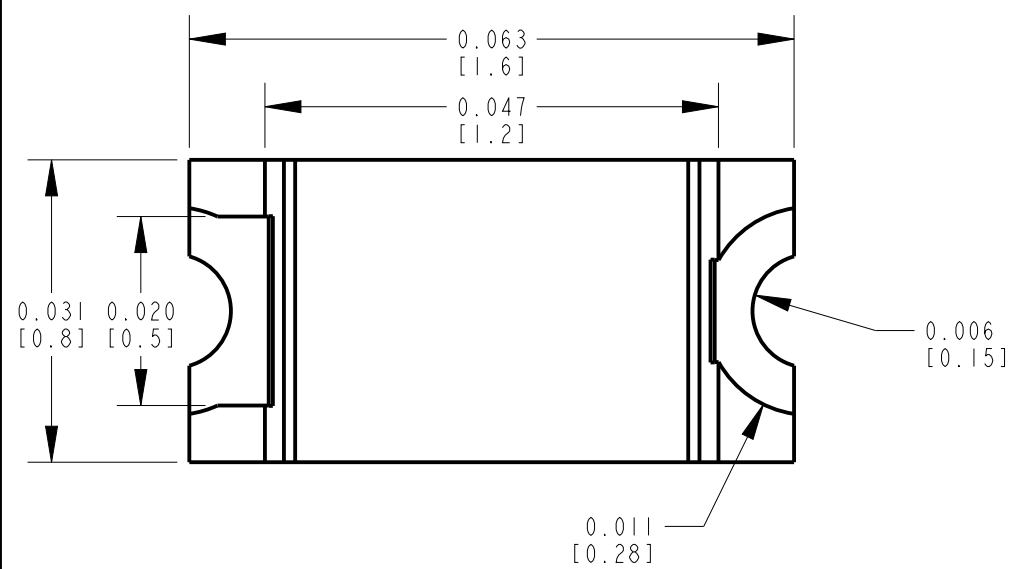


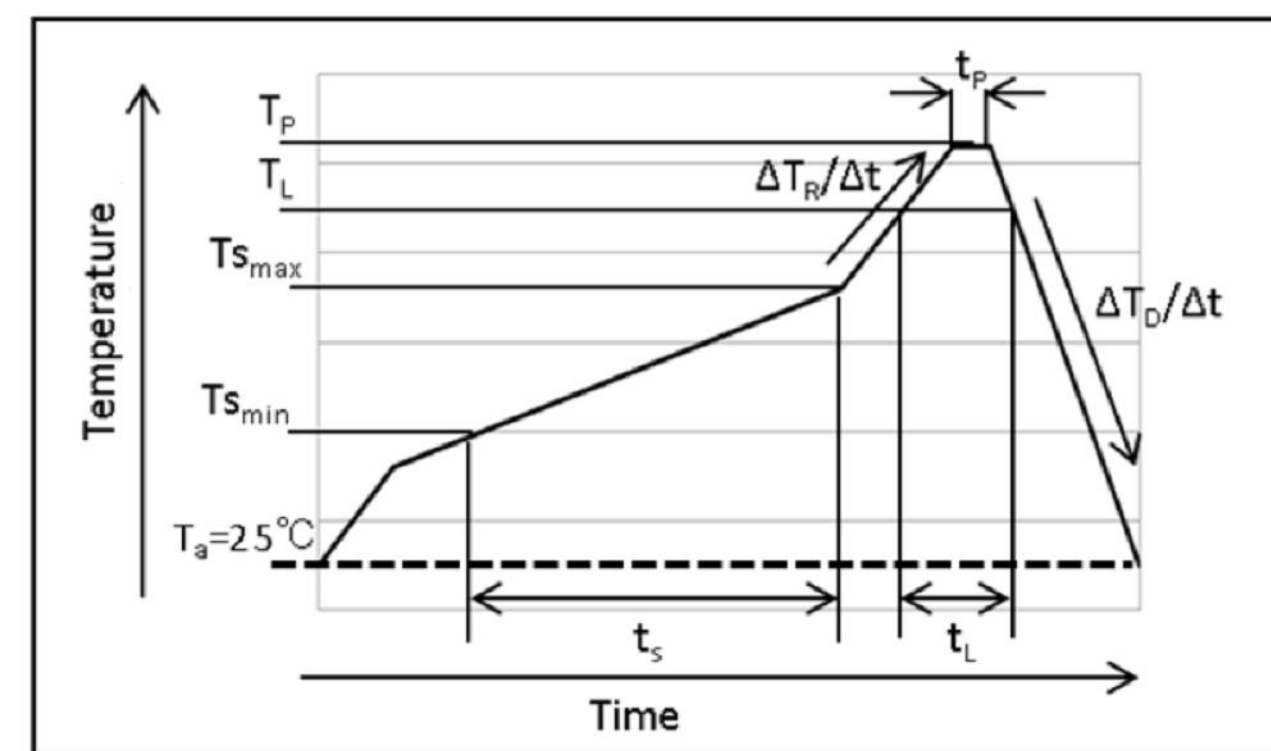
PART NUMBER	LED COLOR
597-3005-502F, 507F	RED (630nm)
597-3035-502F, 507F	RED (620nm)
597-3045-502F, 507F	RED-ORANGE
597-3205-502F, 507F	ORANGE
597-3405-502F, 507F	YELLOW
597-3505-502F, 507F	YELLOW-GRN

REV	ECN NO	REVISIONS	DRN	CKD	APP	DATE
A	—	NEW RELEASE	BP	—	NO	3-22-18



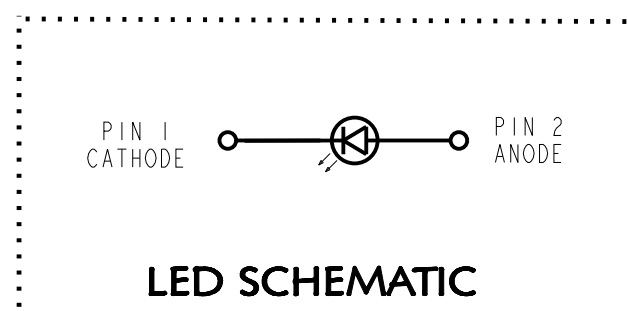
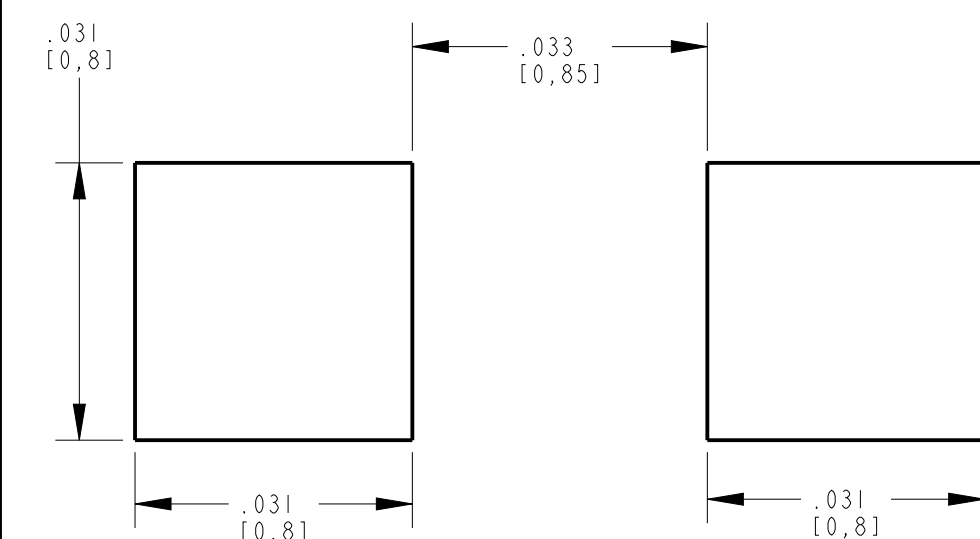
ABSOLUTE MAXIMUM RATINGS AT 25°C						
LED COLOR	POWER DISSIPATION (mW)	FORWARD CURRENT (mA)	PEAK FORWARD CURRENT (mA)	REVERSE VOLTAGE (V)	OPERATING TEMPERATURE (°C)	STORAGE TEMPERATURE (°C)
RED (630nm)	84	35	100	5	-40 TO +100	-40 TO +100
RED (620nm)						
RED-ORANGE						
ORANGE	87	35	100	5	-40 TO +100	-40 TO +100
YELLOW						
YELLOW-GREEN						

OPERATING CHARACTERISTICS AT 25°C									
LED COLOR	IF (mA)	LUMINOUS INTENSITY (mcd)			DOMINANT WAVELENGTH (nm)			REVERSE CURRENT (MAX)	FORWARD VOLTAGE (TYP.)
		MIN	TYP	MAX	MIN	TYP.	MAX		
RED (630nm)	20	71	90	627	630	633	10 @ VR=5V	2 @ IF=20mA	
RED (620nm)		90	112	617	620	623			
RED-ORANGE		112	140	612	615	618			
ORANGE				603	605	607			
YELLOW		180	224	588	590	592			
YELLOW-GREEN		56	71	569	571	573			



Mark	Meanings	Conditions
$T_{S_{max}}$	Maximum of pre-heating temperature	180°C
$T_{S_{min}}$	Minimum of pre-heating temperature	140°C
t_s	Time from $T_{S_{min}}$ to $T_{S_{max}}$	Over 60sec.
T_L	Reference temperature	230~250°C
t_L	Retention time for T_L	Within 40sec.
T_P	Peak temperature	250°C(Max)
t_p	Time for peak temperature	Within 10sec.
$\Delta T_R/\Delta t$	Temperature rising rate	Under 3°C/sec.
$\Delta T_D/\Delta t$	Temperature decreasing rate	Over -3°C/sec.

RECOMMENDED ROHS SOLDER PROFILE



LED SCHEMATIC

NOTES:

- DIALIGHT P/N: 597-3XX5-50XF
SUFFIX -502F FOR 20 PCS ON A SAMPLE TAPE STRIP
SUFFIX -507F FOR 7" DIAMETER REEL, PACKAGED 3000 PCS PER REEL.
- LABELING FOR REEL AND OUTSIDE OF ALUMINUM FOIL BAG:
DIALIGHT P/N, QUANTITY PER REEL, DATE CODE, INTENSITY BIN CODE, LOT NUMBER AND COUNTRY OF ORIGIN.
- TAPE AND REEL LEDS MAY REQUIRE RE-TAPING AFTER TWELVE MONTHS.
- ESD WITHSTAND VOLTAGE 4000V MAX ACC. TO JS-001-2014
- MSL LEVEL 3



ATTENTION:
OBSERVE PRECAUTIONS FOR
HANDLING ELECTROSTATIC
SENSITIVE DEVICES

RECOMMENDED SOLDER PAD LAYOUT

THIS DRAWING AND THE CONTENTS HEREIN ARE CONFIDENTIAL AND THE SOLE PROPERTY OF DIALIGHT CORP. REPRODUCTION OF THIS DRAWING OR CONSTRUCTION OF ANY PARTS WITHIN THIS DRAWING ARE FORBIDDEN WITHOUT THE WRITTEN CONSENT OF DIALIGHT CORP.		
DIALIGHT CORP. INTERNAL REFERENCE ONLY = 3D MODEL = 597506507F-0		
SCALE: 25.000	DRAWING NUMBER	REV
ALL DIM'S IN: INCHES (MM)	C-18369	A
TOLERANCES: UNLESS OTHERWISE SPECIFIED	TITLE SM LED 0603 PACKAGE SINGLE INTENSITY BIN	
FRACTIONS: ±1/64	MATERIAL	
DECIMALS (.XX): ±.01	FINISH	
DECIMALS (.XXX): ±.005	FSCM 83330	
DECIMALS (.XXXX): ±.0005	SHEET 1 OF 1	
ANGLES: ±1°	FAMILY TABLE:	
<small>1501 ROUTE 34 SOUTH FARMINGDALE, NJ 07727 (732) 919-3119 www.dialight.com</small>		