

## 24 Terminal Fixed Terminals



### TECHNICAL INFORMATION

**Electrical:**  
10A, 300V, 22-14AWG

**Materials:**  
Housing - PA-GF  
Front Plate - PBT  
Terminals - PA

**Temperature Range:**  
Up to 120°C (248°F)

**Flammability Rating:**  
UL94 V-O

**\*Color:** Black Housing  
Gray Cover Plate

**Terminal Type:**  
Fixed Screw

**Terminal Screw Size:** M2.5

**Recommended Torque:**  
0.5Nm

**Max. PCB's:**  
(1) Vertical

**Mounting:**  
35mm DIN Rail

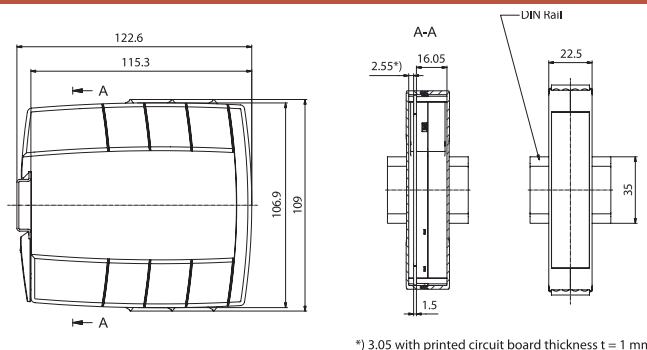
### ORDERING INFORMATION

Part Number	Type	Terminals	PCB Connection
90.140	KS4403/F	Fixed Screw	Machine Solder

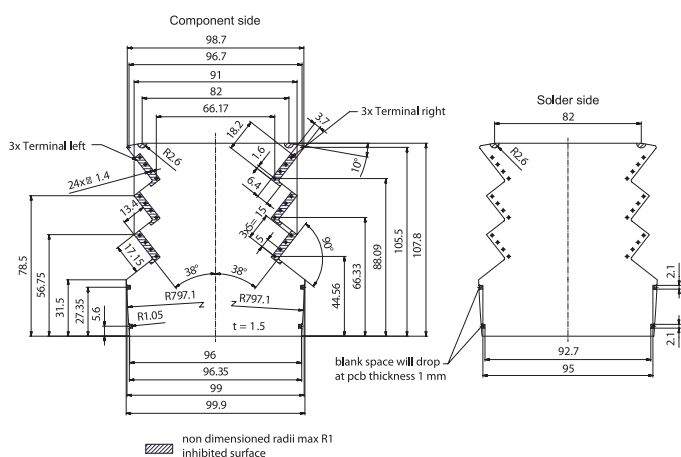
### ACCESSORIES

Accessories	Part Number	Type
1 Meter DIN Rail	2511120/1M	TS35x7.5/1M
Terminal Blanking Plug	90.190	KS4403-5-1
Light Pipes, 3mm Grid	90.191	KS4400-7-1
Light Pipes, 5mm Grid	90.192	KS4400-6-1

### ENCLOSURE DRAWING (To convert to inches divide by 25.4.)



### PCB DRAWING (To convert to inches divide by 25.4.)



\*Other colors are available upon request.

## 24 Terminal Pluggable Terminals



### TECHNICAL INFORMATION

**Electrical:**  
10A, 300V, 30-12AWG (Screw);  
10A, 300V, 26-12AWG (Spring)

**Materials:**  
Housing - PA-GF  
Front Plate - PBT  
Terminals - PA

**Temperature Range:**  
Up to 120°C (248°F)

**Flammability Rating:**  
UL94 V-O

**\*Color:** Black Housing  
Gray Cover Plate

**Terminal Type:**  
Pluggable Screw /  
Pluggable Spring

**Terminal Screw Size:** M2.5

**Recommended Torque:**  
0.5Nm

**Max. PCB's:**  
(1) Vertical

**Mounting:**  
35mm DIN Rail

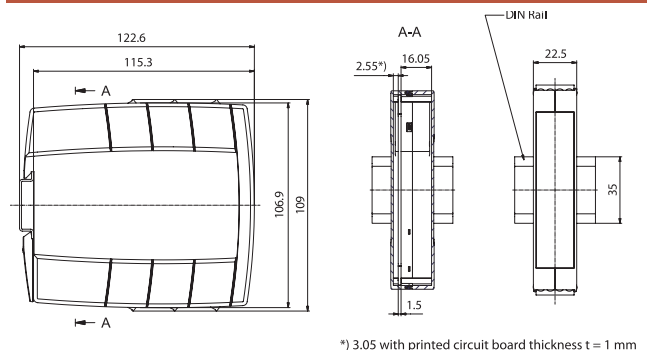
### ORDERING INFORMATION

Part Number	Type	Terminals	PCB Connection
90.141	KS4403/PS	Pluggable Screw	Machine Solder
90.142	KS4403/PC	Pluggable Spring	Machine Solder

### ACCESSORIES

Accessories	Part Number	Type
1 Meter DIN Rail	2511120/1M	TS35x7.5/1M
Terminal Blanking Plug	90.190	KS4403-5-1
Light Pipes, 3mm Grid	90.191	KS4400-7-1
Light Pipes, 5mm Grid	90.192	KS4400-6-1

### ENCLOSURE DRAWING (To convert to inches divide by 25.4.)



### PCB DRAWING (To convert to inches divide by 25.4.)

