

SPECIFICATION

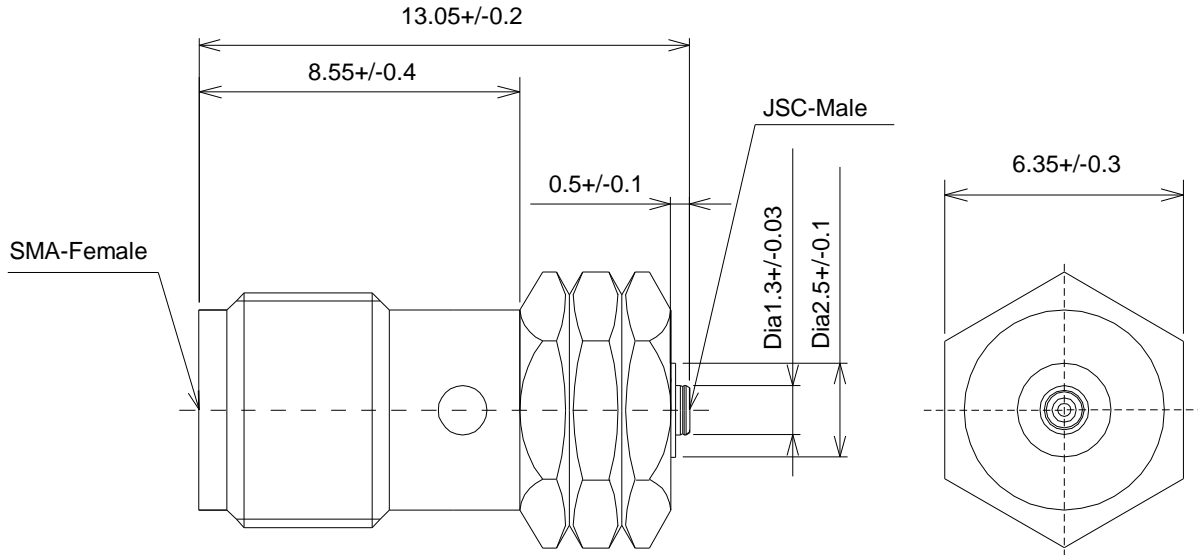
Revised A: 8/Jan./'10 ER A: 17/Jun./'10 LH C: 28/Feb./'12 TK

1. MECHANICAL

>A >C

Manual measurement probe for MM5831-2700, cable plug

Calibration adapter for MM5829-2700 probe



SCALE:FREE
 UNIT: mm

2. RATING:

>B >C

Item	Specification
Voltage Rating	30V r.m.s. maximum
Nominal Frequency Range	DC to 12GHz
Nominal Impedance	50Ω
Temperature Rating	-40°C to +85°C
Insulation Resistance	500 MΩ minimum
Withstanding Voltage	AC 200V
Voltage Standing Wave Ratio (V.S.W.R.)	1.3 max. (DC to 3GHz) 1.4 max. (3GHz to 6GHz) 1.5 max. (6GHz to 9GHz) 1.6 max. (9GHz to 12GHz)
Durability	10K

Mouser Electronics

Authorized Distributor

Click to View Pricing, Inventory, Delivery & Lifecycle Information:

[Murata:](#)

[MM121540](#) [MM121530](#) [MM121531](#)