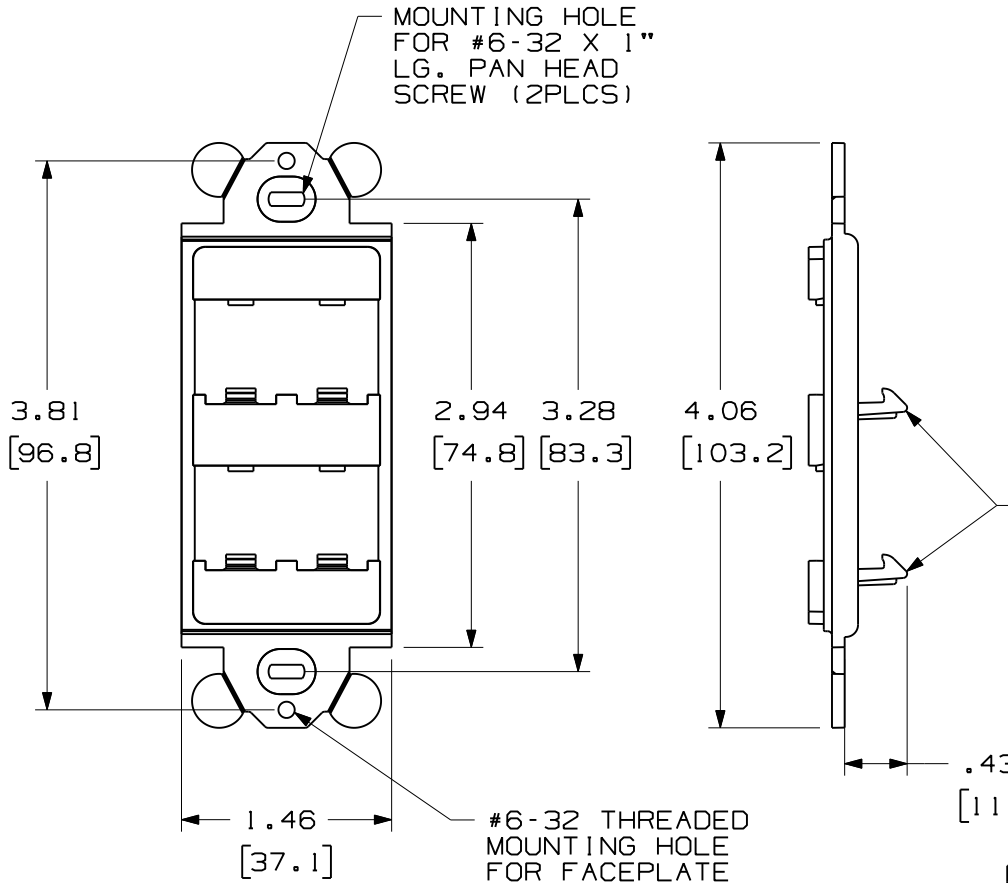


THIS COPY IS PROVIDED ON A RESTRICTED BASIS AND IS NOT TO BE USED IN ANY WAY DETRIMENTAL TO THE INTERESTS OF PANDUIT CORP.

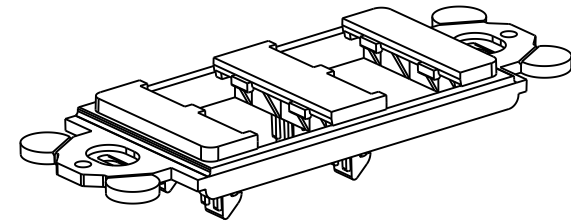
PANDUIT P/N	WEIGHT
CFG4**	.19 LB/10PCS (89.6 g/10 PCS)



NOTES:

1. SEE CURRENT CATALOG FOR ADDITIONAL PART NUMBER SUFFIXES TO INDICATE COLOR AND/OR PACKAGE QUANTITY.
2. SEE CATALOG FOR COMPLETE LIST OF PARTS APPLICABLE OR USE WITH THIS PART.
3. DIMENSIONS IN PARENTHESES ARE IN METRIC.
4. (2) #6-32 X 1" PANHEAD SCREWS ARE SUPPLIED

LATCHING HOOKS FOR PANDUIT MODULES



PART NUMBER	CFG4**	PRODUCT SPEC/PKG SPEC	N/A
I.I. NUMBER	N/A	WORK INSTRUCTION	N/A

TITLE

"GFCI" MODULE FRAME FOUR POSITION

CUSTOMER DRAWING

ITEM REVISION NAME

M00021BA/02.PRT

DATASET FILE NAME

M00021BA_DC03/02A.PRT

UNLESS OTHERWISE SPECIFIED, DIMENSIONAL TOLERANCES ARE: IN (mm)

.x : .xxx : .010 (.3)

.xx : .03 (.8) ANGLES :

THIRD ANGLE PROJECTION

DRAWING NUMBER: 00021-03

DRAWN BY	DATE	CHK	SCALE	SHT 1 OF 1	SIZE
RCA	7-28-97	CEF	NONE		A

REV	DATE	BY	CHK	APR	DESCRIPTION	ECN
4	11-6-12	BJN	JSP	JSP	A. UPDATED FORMAT TO REFLECT CURRENT PANDUIT LOGO REVISED & REDRAWN PREVIOUS REVS REMOVED FOR CLARITY	00021-03

Mouser Electronics

Authorized Distributor

Click to View Pricing, Inventory, Delivery & Lifecycle Information:

[Panduit:](#)

[CFG4IG](#) [CFG4IW](#) [CFG4EI](#) [CFG4WH](#) [CFG4BL](#)