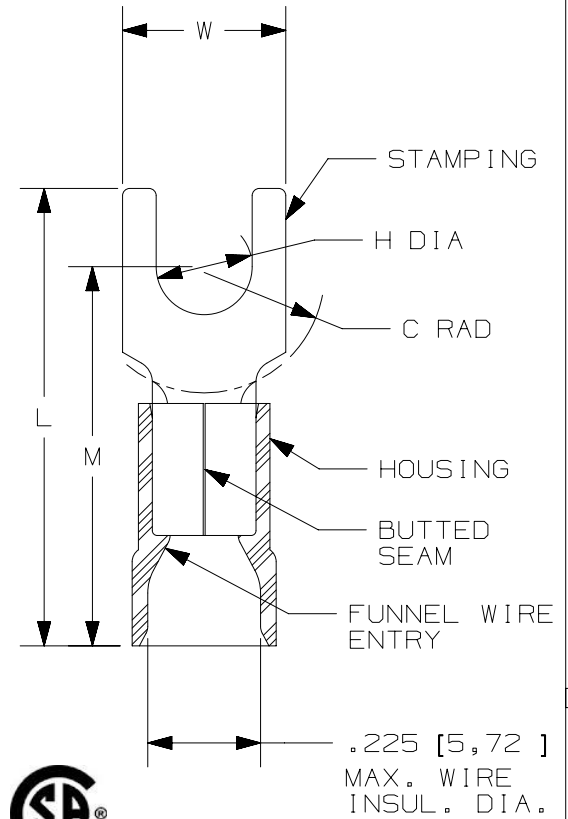


THIS COPY IS PROVIDED ON A RESTRICTED BASIS AND IS NOT TO BE USED IN ANY WAY DETRIMENTAL TO THE INTERESTS OF PANDUIT CORP.

PANDUIT PART #	STUD SIZE		DIMENSIONS in. [mm]				
	ENGLISH	METRIC	L ± .03 [0,51]	W ± .01 [0,25]	C ± .02 [0,38]	M ± .03 [0,51]	H ± .01 [0,25]
EV10-6FB	#6	M3	1.01 [25,65]	.31 [7,87]	.25 [6,35]	.81 [20,57]	.14 [3,56]
EV10-8FB	#8	M4	1.04 [26,42]	.37 [9,40]	.25 [6,35]	.81 [20,57]	.17 [4,32]
EV10-10FB	#10	M5	1.04 [26,42]	.37 [9,40]	.25 [6,35]	.81 [20,57]	.20 [5,08]
EV10-14FB	1/4"	M6	1.14 [28,96]	.49 [12,45]	.32 [8,13]	.88 [22,35]	.26 [6,60]

UL & CSA TOOLS (DIES) CT-100A* CT-600-A (CT-550CH) CT-1550 CT-1551 CT-2500 (CT-2550CH) *RATED FOR 300V, 75°C
PANDUIT APPROVED TOOLS CT-160 CT-260 CT-400 CT-460



NOTES:

- UL LISTED & CSA CERTIFIED FOR:
 - A. 12-10 AWG [4,0-6,0 mm²] SOLID OR STRANDED COPPER WIRE
 - B. 221°F [105°C] MAX. OPERATING TEMPERATURE
 - C. 600V. MAX. BLDG WIRE
(1000 V. MAX. IN SIGNS, FIXTURES & LUMINAIRES)
- MATERIAL:
 - A. STAMPING: .040" [1,02] THK COPPER, TIN PLATED
 - B. HOUSING: VINYL, YELLOW
- WIRE STRIP LENGTH: 5/16" ^{+1/32} ₋₀ [7,9mm ^{+0,8} ₋₀]
- SEE www.panduit.com FOR PACKAGE QUANTITIES
- DIMENSIONS IN BRACKETS ARE METRIC EQUIVALENT



TITLE STRONGHOLD FORK TERMINAL VINYL INSULATED, BUTTED SEAM #12-10 AWG				
CUSTOMER DRAWING				
ITEM REVISION NAME 00123SHN/00			PANDUIT	
DATASET FILE NAME 00123SHN_DC/00			MATERIAL: SEE NOTES	
UNLESS OTHERWISE SPECIFIED, DIMENSIONAL TOLERANCES ARE: IN [mm]			DRAWING NUMBER: SH41189	
.X ± .XX ±			.XXX ± ANGLES ±	
THIRD ANGLE PROJECTION			SCALE N.T.S.	
DRAWN BY JHNU	DATE 2/18	CHK TMR	SHEET 1 OF 1 A	

00	2/18	JHNU	TMR	RGB	RELEASE	00123SH
REV	DATE	BY	CHK	APR	DESCRIPTION	ECN

D10100DA/12

Mouser Electronics

Authorized Distributor

Click to View Pricing, Inventory, Delivery & Lifecycle Information:

Panduit:

[EV10-6FB-Q](#) [EV14-10FB-Q](#) [EV14-10FB-L](#) [EV14-6FB-L](#) [EV14-8FB-L](#) [EV10-10FB-Q](#) [EV10-14FB-Q](#) [EV14-6FB-Q](#)
[EV14-8FB-Q](#)