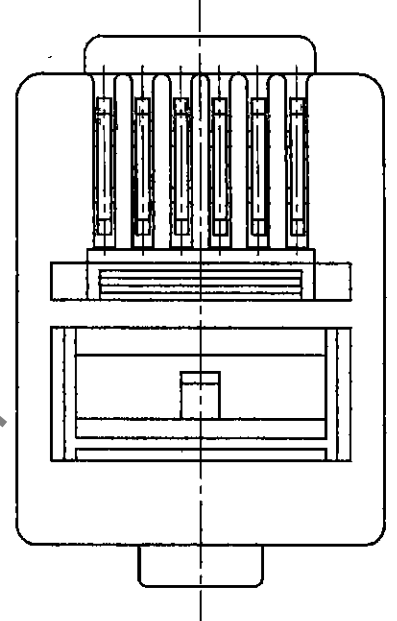
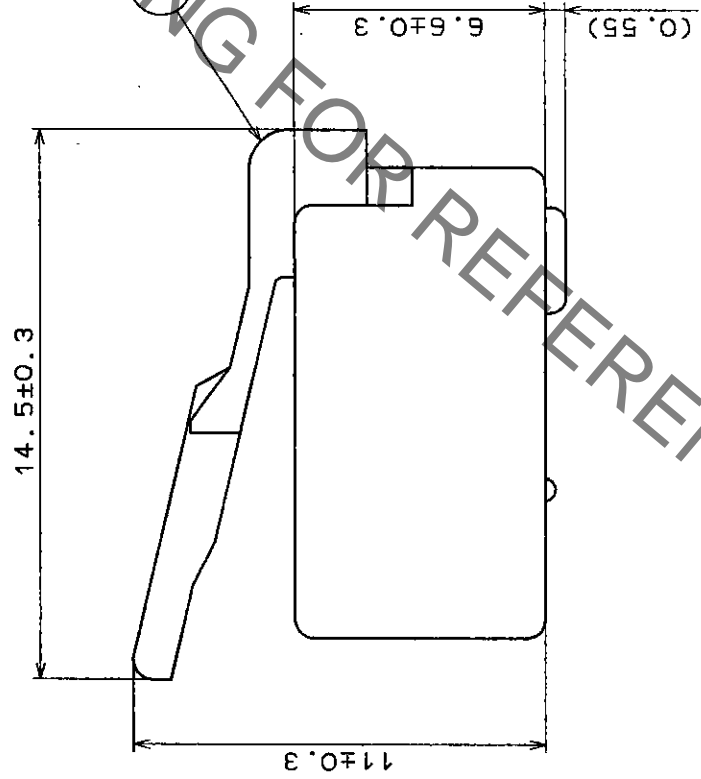
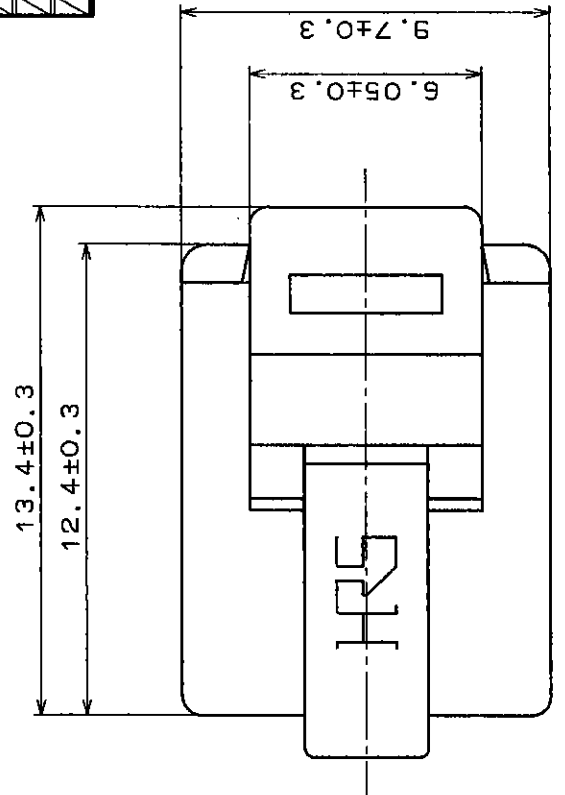
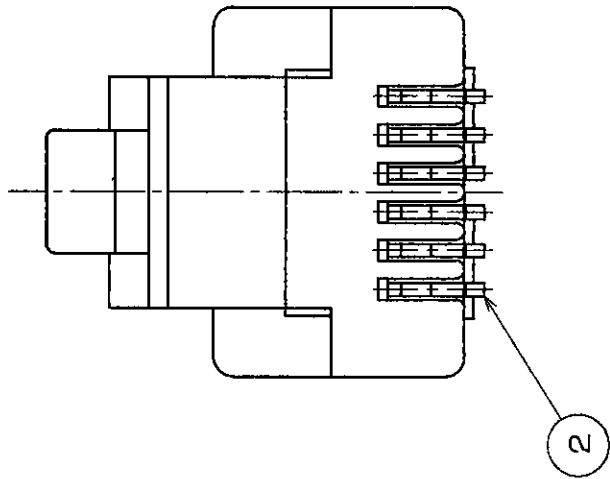


COUNT DESCRIPTION OF REVISIONS	BY (CHKD)	DATE	COUNT DESCRIPTION OF REVISIONS	BY (CHKD)	DATE



NOTES 1. THE DIMENSION IN PARENTHESIS IS FOR REFERENCE.
 2. APPLICABLE CABLE TO THIS CONNECTOR IS AS PER FOLLOWING.

APPLICABLE CABLE CONSTRUCTION	
	INSULATOR OUTER DIMENSION(φ) 0.90~1.00
VINYL SEATH CONDUCTOR INSULATOR	VINYL SEATH OUTER DIMENSION (A) X (B) 6.8 X 2.6



HRS DRAWING FOR REFERENCE

1	POLYCARBONATE	COLOR: CLEAR	2	PHOSPHOR BRONZE	GOLD PLATING
NO.	MATERIAL	FINISH, REMARKS	NO.	MATERIAL	FINISH, REMARKS
CODE NO. (OLD)			DESIGNED	CHECKED	APPROVED
			DRAWN <i>T. Watanabe</i>	DESIGNED <i>T. Watanabe</i>	APPROVED <i>S. Watanabe</i>
			'95.9.5	'95.9.5	'95.9.5
DRAWING NO.		PART NO.			
EDC3-009973		TM3P-66P			
SCALE		CODE NO.			
5 : 1		CL222-0209-8			
UNITS		HRS HIROSE ELECTRIC CO., LTD.			
mm					

TO	
Q2	

Mouser Electronics

Authorized Distributor

Click to View Pricing, Inventory, Delivery & Lifecycle Information:

[Hirose Electric:](#)

[TM3P-66P](#)