
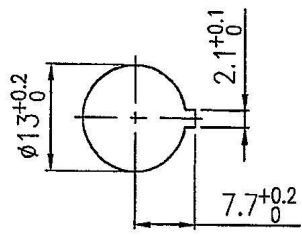
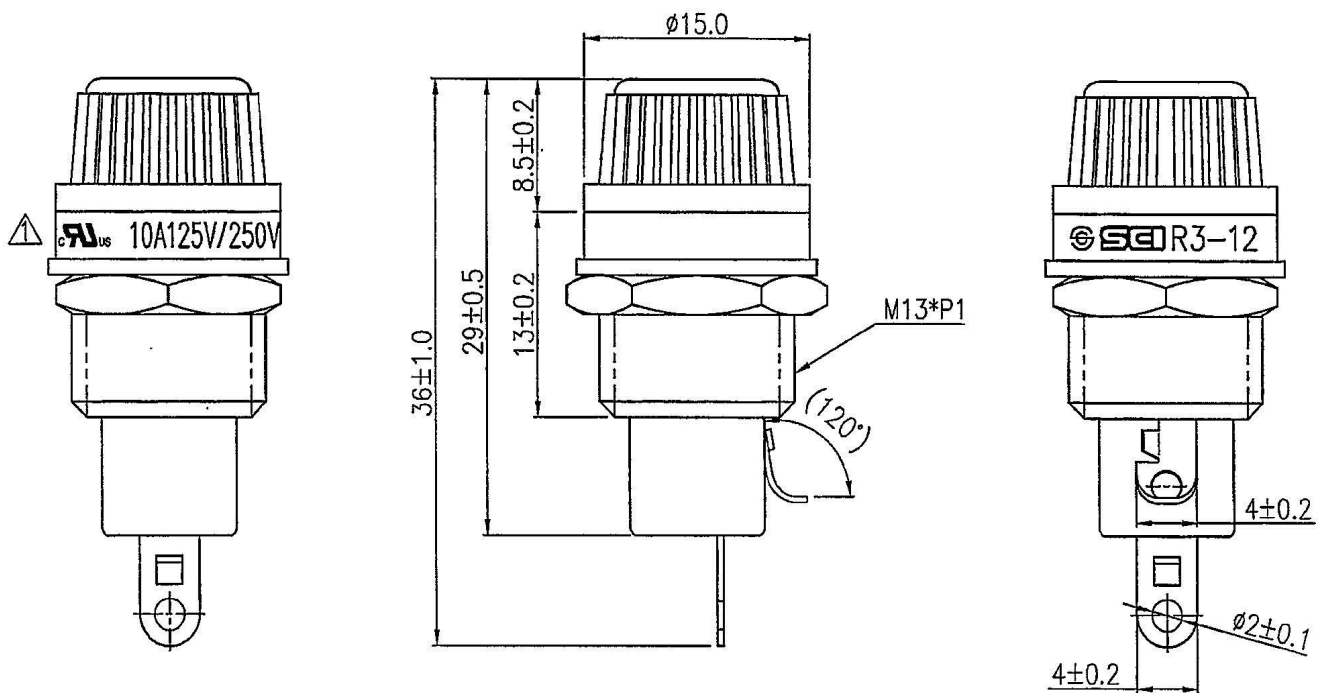





Rating	10A 125V/250V AC 	
Insulation Resistance	DC 500V 100M ohm Min	
Dielectric Strength	AC 1500V 1 minute	
Fuse Size	$\phi 5.0 \times 20\text{mm}$	



Material:
Housing: Black, PF
Top cap: Black, PF
Terminals: Nickel Plated Brass



Tolerances ± 0.3 Unless Otherwise Specified

10/18/16	柳新強	Non CSA Marking			
Date	Name	Description			No.
Drawn	Checked	Approved	SCI BOM No.	1310350	Model Name FUSE HOLDER
柳新強			Customer No.	112-R13-12-12-B	Model No. R3-12
10/18/16			Unit	mm	 Shin Chin Industrial Co., Ltd.
					Rev. 1

Mouser Electronics

Authorized Distributor

Click to View Pricing, Inventory, Delivery & Lifecycle Information:

[Shin Chin:](#)

[R3-12-12-B](#)