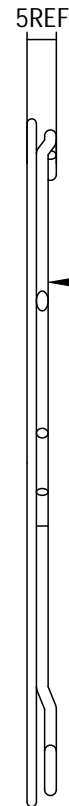
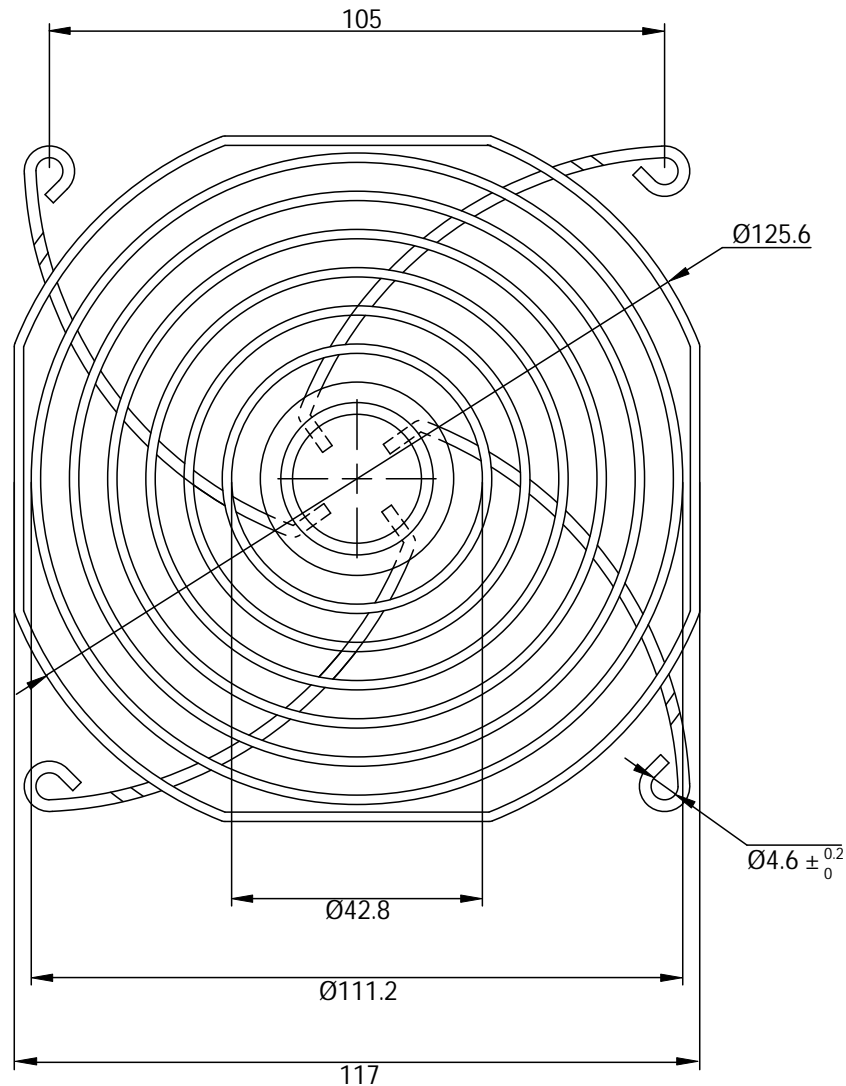


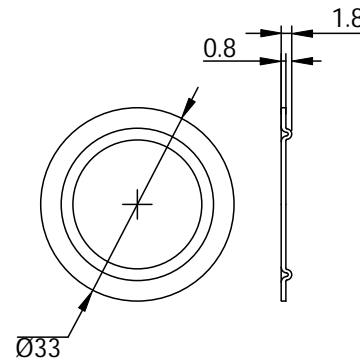
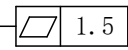
THESE DRAWINGS ARE THE PROPERTY OF QUALTEK ELECTRONICS AND NOT TO BE REPRODUCED FOR OR COMMUNICATED TO A THIRD PARTY WITHOUT THE EXPRESS WRITTEN PERMISSION OF AN OFFICER OF QUALTEK ELECTRONICS.

REVISION			
REV.	DESCRIPTION	DATE	APPROVED
B	RoHS Compliancy	06-01-06	DP
C	Updated Specifications	06-09-09	LY
D	Updated Dimensions	07-28-21	LY



NOTES:

1. MATERIAL: C1008 BRIGHT BASIC WIRE
2. FINISH: BRIGHT NICKEL CHROME PLATING
3. 0.35 ± 0.05 DEPTH OF SERRATIONS ON WIRE
4. RING: Ø1.6 ± 0.1mm
RIB: Ø2.0 ± 0.1mm
DISC: = Ø33 T=0.8mm
5. GENERAL TOLERANCE UNLESS NOTED IS ± 0.7mm
6. RoHS COMPLIANT



CONTROLLED

Dim range (mm)	Tolerance +/- (mm)	Qualtek Electronics Corp. FAN-S DIVISION		
0-5	0.1	Part Number:	08141	
5-16	0.15	Description:	WIRE FORM FAN GUARD (120mm)	
16-64	0.2		UNIT: mm	REV: D
64-250	0.4	Drawn / Date	Checked / Date	Approved / Date
250-1000	0.5	B. ZHANG 03-09-05	03-09-05	JJH / 03-09-05
1000-1500	1.0			