

■ Product introduction

SN74LVC1G04 is a non gate integrated circuit, which can realize the mathematical logic operation of $Y=A$. It is designed with advanced CMOS technology, which has the characteristics of low power consumption and high output driving ability. The chip can work normally when the voltage of VCC is between 1.65v and 5.5V. And 74lvc1g04 has a variety of small package shapes, which can be widely used in high-end precision instruments, miniaturized low-power handheld devices, and artificial intelligence and other fields.

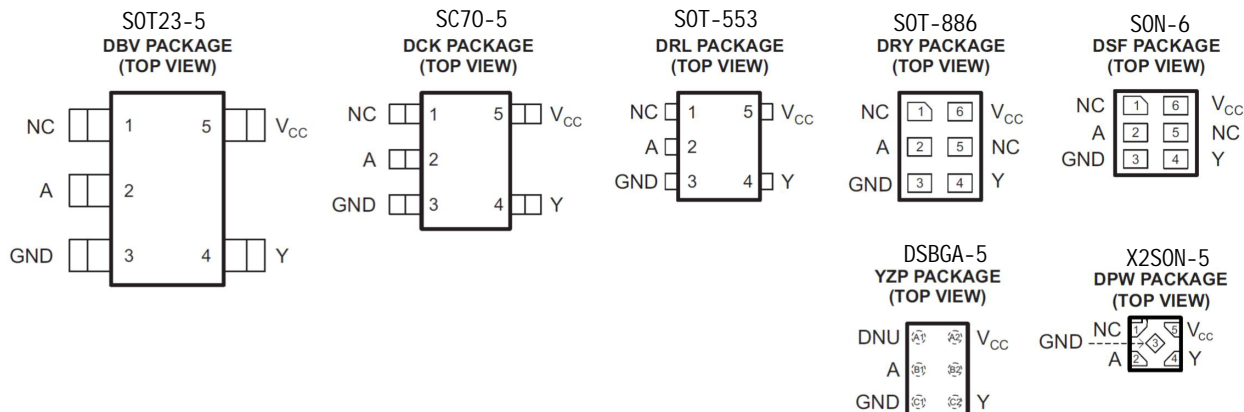
■ Product features

- Low input current: typical value 0.1uA
- Low static power consumption: typical value 0.1uA
- High output: VCC=4.5V, greater than 32MA
- Wide operating voltage range: 1.65v to 5.5V
- Package form: DBV/DCK/DRL/YZP/ DRY/DSF/ DPW

■ Product use

- Portable audio interface
- digital television
- Wireless headset, smart watch, etc
- Blu ray player and home theater
- Solid state drive
- Intelligent wearable devices

■ Package form and pin function definition



name	Pin				explain
	DBV/DCK/DRL	DRY/DSF	YZP	DPW	
NC	1	1, 5	A1, B2	1	Empty feet
A	2	2	B1	2	input
GND	3	3	C1	3	Power ground
Y	4	4	C2	4	output
VCC	5	6	A2	5	Power supply positive

Note: NC-- Empty feet, no internal connection line

■ Limit parameter

parameter	Symbol	Limit value	Company
working voltage	V_{cc}	6.5	V
input	V_{in}	-0.5~6.5	V
Output voltage (1)	V_{out}	-0.5~6.5	V
Single pin output current	I_{out}	25	mA
VCC or GND current	I_{cc}	50	mA
Storage temperature	T_s	-65-150	°C
Pin welding temperature	T_w	260, 10s	°C
working temperature	T_c	-40-105	°C

Note: 1. When VCC = 0V, the limit voltage that the output can withstand

2. The limit value of any parameter can not be exceeded. If the limit value is exceeded, it may cause physical damage such as product deterioration; At the same time, the chip can not be guaranteed to work normally when it is close to the limit parameters.

■ Principle logic diagram



■ truth table

Inputs		Output
A		Y
L		H
H		L

■ Working conditions

project	Symbol	Test conditions	minimum value	Typical value	Maximum	Company
working voltage	V_{cc}	-	1.65	-	5.5	V
Input high level voltage	V_{IH}	$V_{cc}=1.65V\sim 1.95V$	$0.65* V_{cc}$	-	-	V
		$V_{cc}=2.3V\sim 2.7V$	1.7V	-	-	
		$V_{cc}=3V\sim 5.5V$	$0.7* V_{cc}$	-	-	
Low-Level Input Voltage	V_{IL}	$V_{cc}=1.65V\sim 1.95V$	-	-	$0.35* V_{cc}$	V
		$V_{cc}=2.3V\sim 2.7V$	-	-	0.7	
		$V_{cc}=3V\sim 5.5V$	-	-	$0.3* V_{cc}$	
input voltage	V_I	-	0	-	5.5	V
output voltage	V_O	-	0	-	V_{cc}	V
High level output current	I_{OH}	$V_{cc}=1.65V$	-	-	-4	mA
		$V_{cc}=2.3V$	-	-	-8	
		$V_{cc}=3V$	-	-	-16	
		$V_{cc}=4.5V$	-	-	-32	
Low level output current	I_{OL}	$V_{cc}=1.65V$	-	-	4	mA
		$V_{cc}=2.3V$	-	-	8	
		$V_{cc}=3V$	-	-	16	
		$V_{cc}=4.5V$	-	-	32	

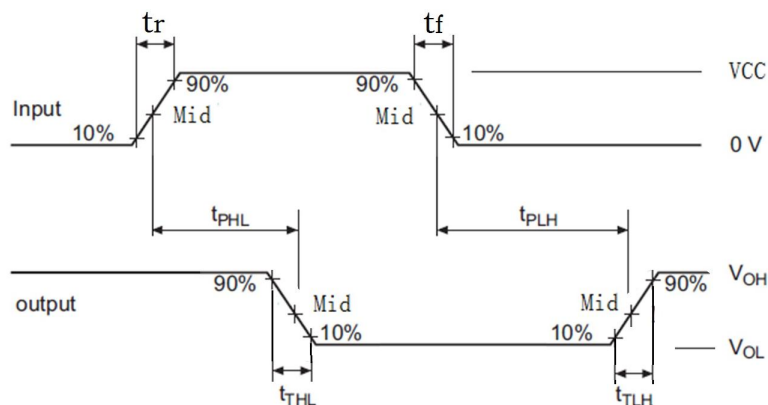
■ electrical properties

DC electrical characteristics: $T_i=25^{\circ}\text{C}$

project	Symbol	Test conditions	V_{CC}	Typical value	Maximum	Company
High level load voltage	V_{OH}	$I_{OH} = -100\mu\text{A}$	1.65V~5.5V	1.64	-	V
		$I_{OH} = -4\text{ mA}$	1.65V	1.47	-	
		$I_{OH} = -8\text{ mA}$	2.3V	2.15	-	
		$I_{OH} = -16\text{ mA}$	3V	2.73	-	
		$I_{OH} = -32\text{ mA}$	4.5V	4.0	-	
Low level load voltage	V_{OL}	$I_{OH} = 100\mu\text{A}$	1.65V~5.5V	0.01	-	V
		$I_{OH} = 4\text{ mA}$	1.65V	0.11	-	
		$I_{OH} = 8\text{ mA}$	2.3V	0.11	-	
		$I_{OH} = 16\text{ mA}$	3V	0.2	-	
		$I_{OH} = 32\text{ mA}$	4.5V	0.35	-	
Input current	I_I	A	$V_I = 5.5\text{V}$ or GND	0~5.5V	± 5	μA
Turn off current	I_{OFF}	V_I	$V_I = 5.5\text{V}$	0	± 10	μA
		V_O	$V_O = 5.5\text{V}$	0	± 10	
Working current	I_{CC}	$V_I = 5.5\text{V}, I_o = 0$	1.65V~5.5V	0.01	10	μA
		$V_I = \text{GND}, I_o = 0$		0.01	10	
Working current variation	ΔI_{CC}	$A = V_{CC} - 0.6\text{V}$	3V~5.5V	25	-	μA

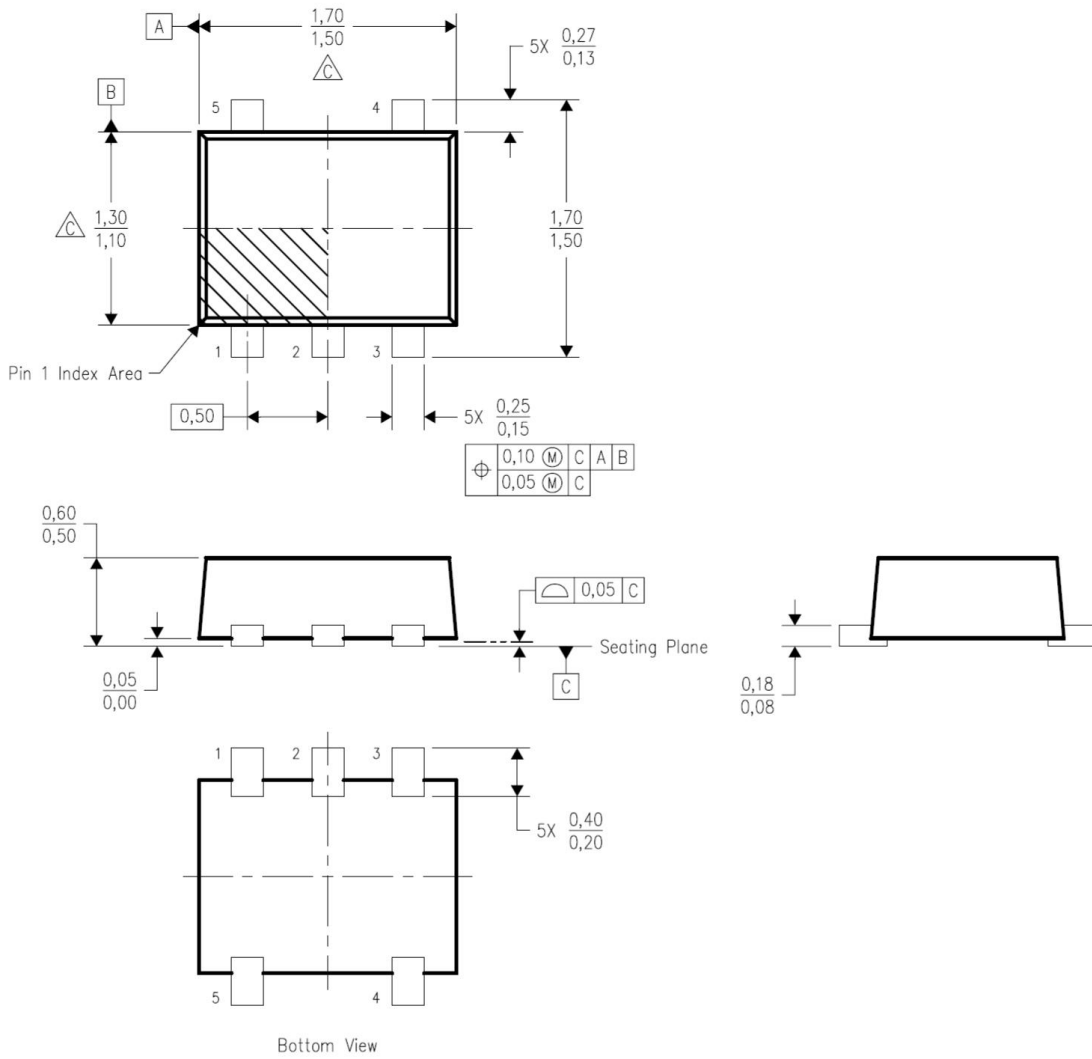
AC electrical characteristics: $T_A = 25^{\circ}\text{C}$ $V_{CC} = 5.0\text{V}$, $T_R \leq 20\text{ns}$, see test method.

project	Symbol	Test conditions	minimum value	Typical value	Maximum	Company
Maximum transmission delay time a, B to y	t_{DHL}	$C_i = 15\text{pF}$	-	10	-	ns
	t_{PLH}	$C_L = 15\text{pF}$	-	10	-	ns

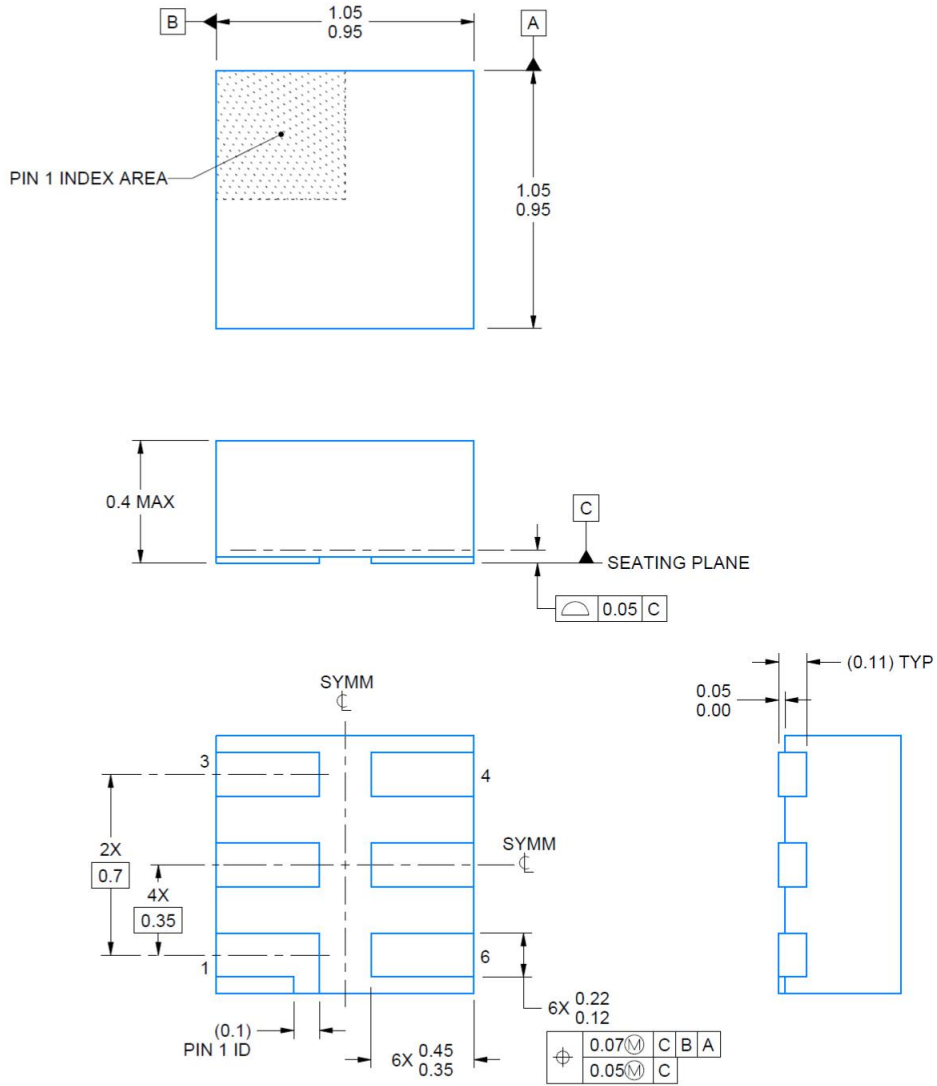


Note: 1. C_L capacitor is an external chip capacitor (0603), which is connected close to the output pin, and the capacitance ground is close to the chip GND; 2. Input: port input level, $f = 500\text{kHz}$, $d = 50\%$; $t_r = t_f \leq 20\text{ns}$; 3. Output: y-end output test.

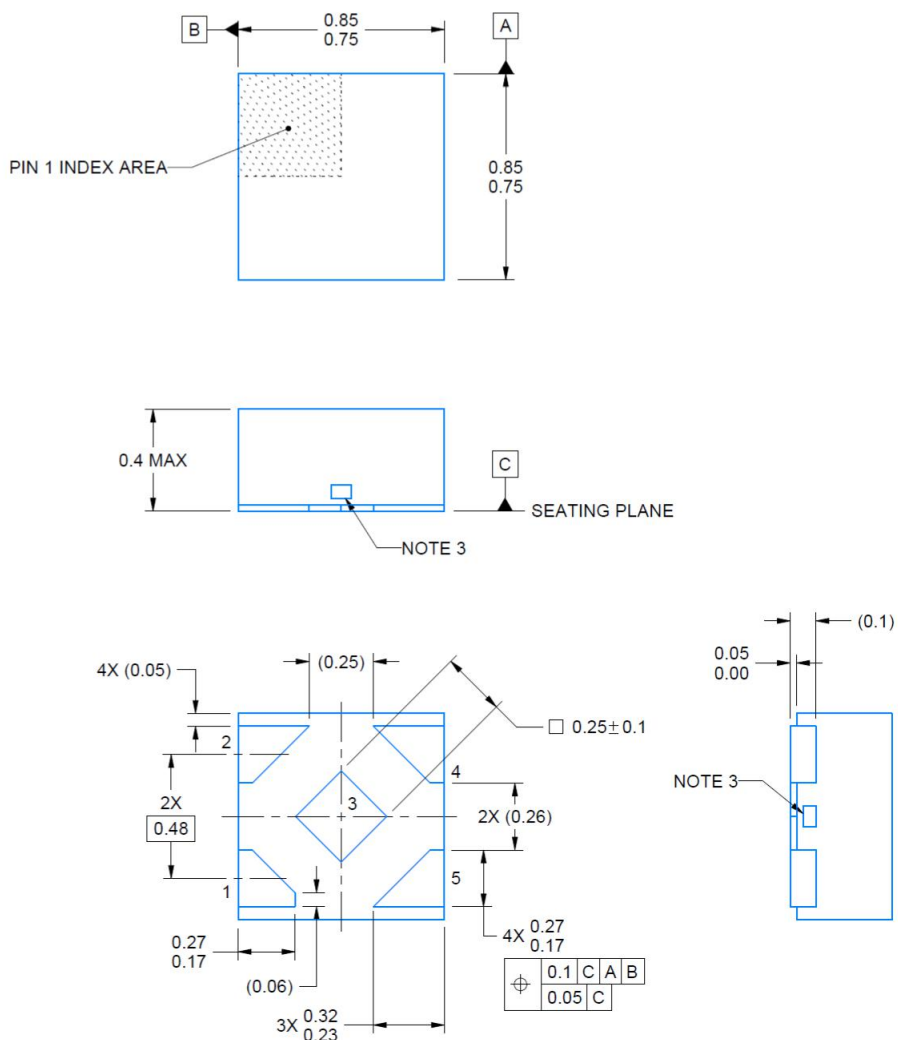
DRL (SOT-553)



DSF (SON-6)



DPW (X2SON-5)



Ordering information

Order code	Package	Baseqty	Deliverymode
SN74LVC1G04DBVR	SOT23-5	3000	Tape and reel
SN74LVC1G04DCKR	SC70-5	3000	Tape and reel
SN74LVC1G04DSFR	SON-6	5000	Tape and reel
SN74LVC1G04DRYR	SOT-886	5000	Tape and reel
SN74LVC1G04YZPR	DSBGA-5	3000	Tape and reel
SN74LVC1G04DPWR	X2SON-5	3000	Tape and reel
SN74LVC1G04DRLR	SOT-553	4000	Tape and reel