

## FEATURES

- Counterpart for use with electromagnets
- For use with a 40mm holding magnet
- Made from nickel-plated steel
- Diameter of 50mm
- RoHS compliant for restricted hazardous substances
- Conforms to Electrostatic Control Standards ANSI/ESD S20.20:2014 and BS EN 61340-5-1:2007

## RS PRO Counterpart for 40 mm Holding Magnet

RS Stock No.: 739-3251



RS Professionally Approved Products bring to you professional quality parts across all product categories. Our product range has been tested by engineers and provides a comparable quality to the leading brands without paying a premium price.

## Product Description

Basic plated steel discs, designed to complement the RS Energise to Release and Energise to Hold magnets.

739-3264 = 25mm Dia  
 739-3211 = 30mm Dia  
 739-3255 = 40mm Dia  
 739-3251 = 50mm Dia  
 739-3217 = 65mm Dia  
 739-3214 = 80mm Dia

## General Specifications

<b>Accessory Type</b>	Counterpart
<b>For Use With</b>	40mm Holding Magnet
<b>Material</b>	Steel
<b>Special features</b>	For use with a 40 mm holding magnet
<b>Finish</b>	Bright Nickel Plated
<b>Applications</b>	Security doors, gates and cabinets

## Mechanical Specifications

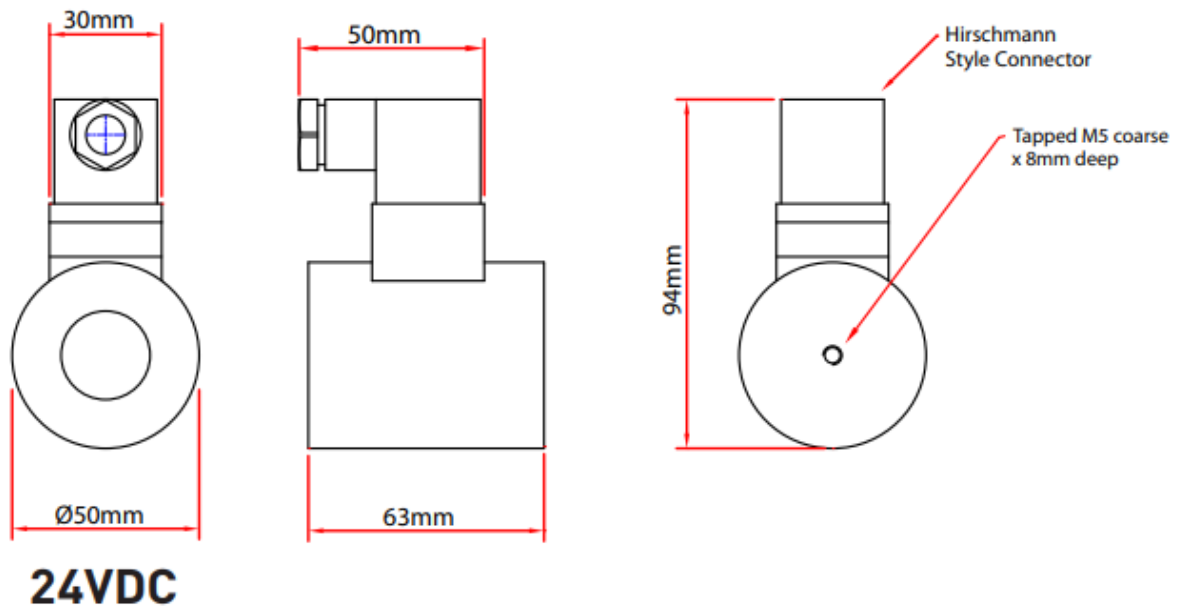
<b>Diameter</b>	50mm
-----------------	------

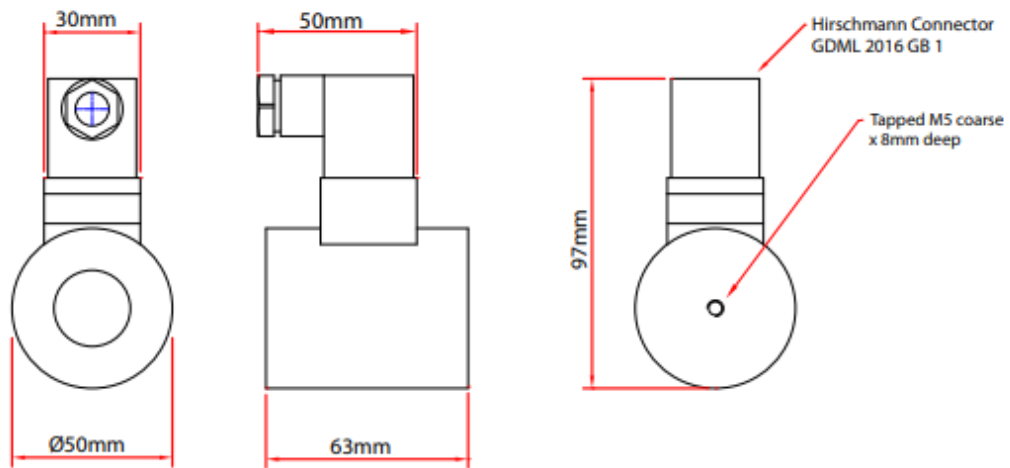
## Approvals

<b>Compliance/Certifications</b>	ANSI/ESD S20.20:2014, BS EN 61340-5-1:2007, RoHS Compliant
----------------------------------	--



## Dimensions





**240VAC**