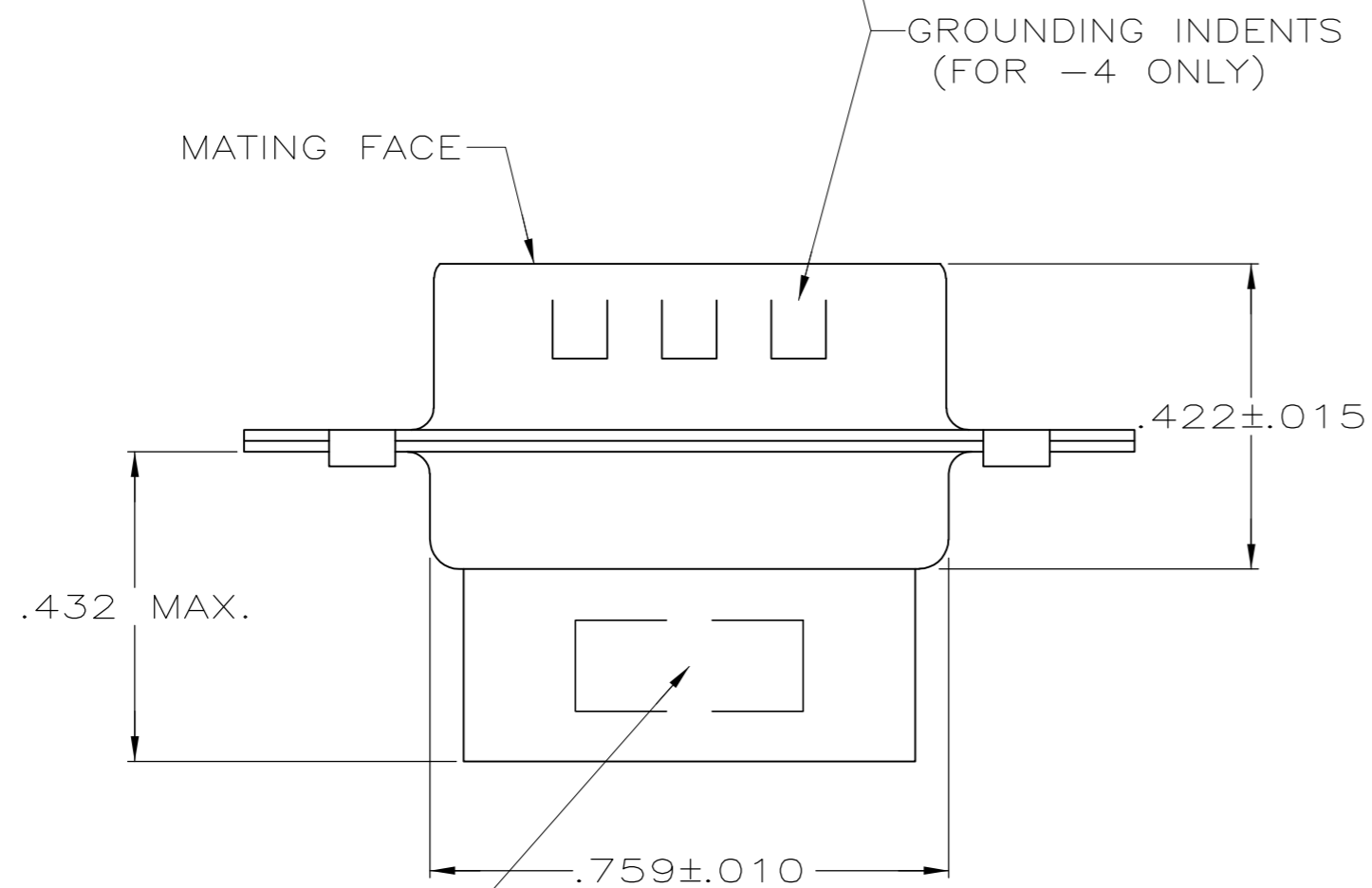
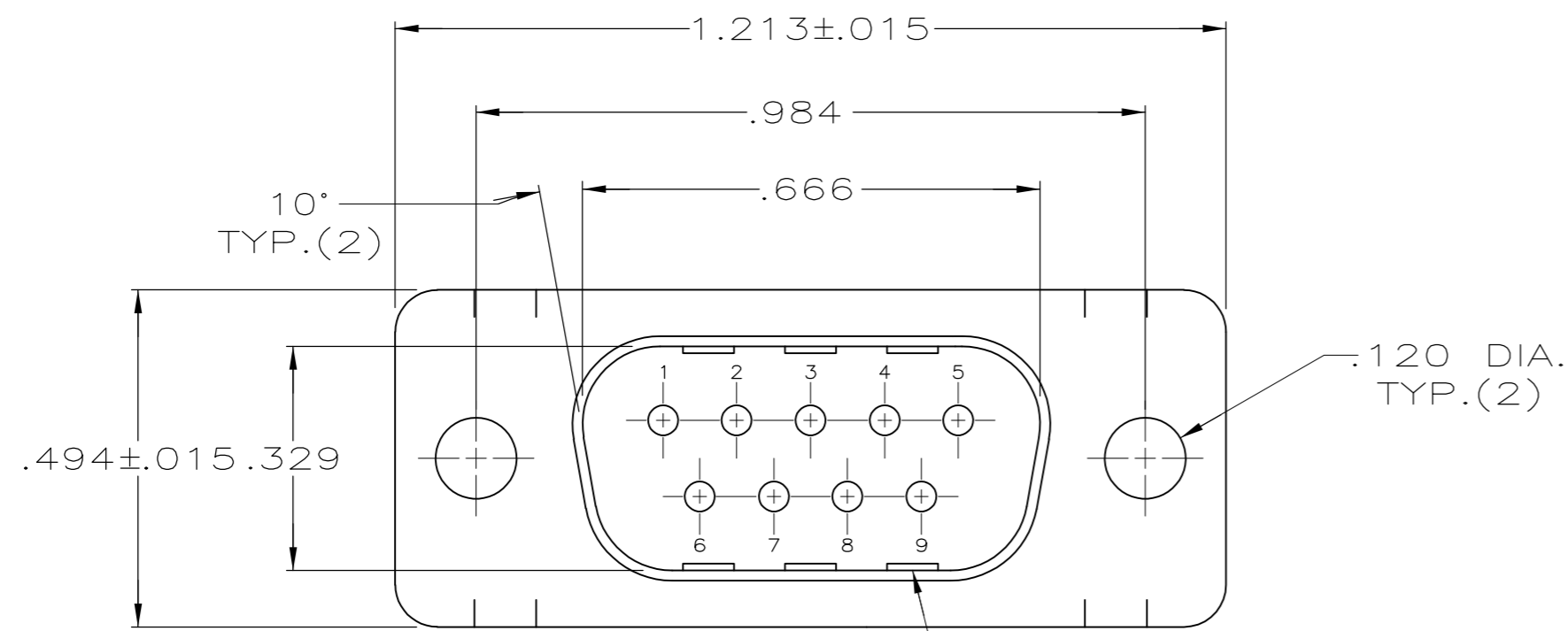


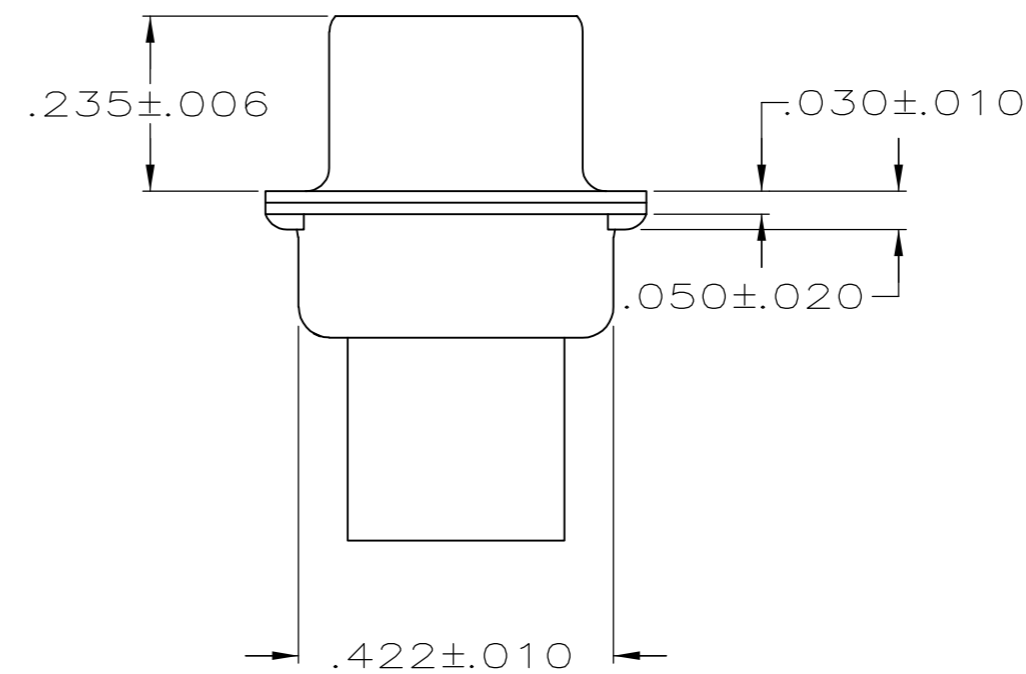
THIS DRAWING IS UNPUBLISHED. RELEASED FOR PUBLICATION
 © COPYRIGHT - By - ALL RIGHTS RESERVED.

LOC		DIST		REVISIONS			
P	LTR	DESCRIPTION		DATE	DWN	APVD	
GP	00	K3	REVISED PER ECO-11-004835	11MAR11	RK	HMR	



"AMP", PART NO. & DATE CODE, MARKED IN AREA INDICATED, ON FAR SIDE

- CONNECTOR ACCEPTS SIZE 20 DF PIN CONTACTS, RETENTION TINES ARE AN INTEGRAL PART OF INSERT.
- CONNECTOR COMPLIES WITH 108-40005 WHERE APPLICABLE.
- MOLDED PARTS: NYLON, FLAME RETARDANT, 94V-0 RATED, GLASS FILLED, BLACK.
- SHELLS: STEEL PER ASTM A109.
- ZINC PLATED PER ASTM B633; TYPE II; CLASS SC1; YELLOW CHROMATE.
- TIN OR TIN-LEAD PLATED OVER COPPER UNDERPLATE.
- CHROME PLATED.
- TIN PLATED OVER COPPER UNDERPLATE.
- ZINC PLATED .000200-.000400 THICK, YELLOW TRIVALENT CHROMIUM CHROMATE COATING.
- OBSOLETE PARTS: OBSOLETE CIS STREAMLINING PER D.RENAUD/D.SINISI



OB	PK	SH	GI	PN	
10	OBSOLETE	SMALL PACK	9	NO	4-205204-0
		STANDARD	9	NO	205204-9
		STANDARD	8	NO	205204-8
	SUPERSEDED BY 205204-9	SMALL PACK	5	NO	205204-7
		STANDARD	8	YES	205204-4
	SUPERSEDED BY 205204-8	STANDARD	6	NO	205204-3
	OBSOLETE	STANDARD	7	NO	205204-2
	SUPERSEDED BY 205204-9	STANDARD	5	NO	205204-1
		PACKAGING TYPE	SHELL FINISH	GROUNDING INDENTS	PART NUMBER

THIS DRAWING IS A CONTROLLED DOCUMENT.		DWN S. WELDON 07/19/85	TE Connectivity	
DIMENSIONS: INCHES		CHK J. GERACE 07/29/85	PLUG CONNECTOR, SIZE 1, 9 POS., AMPLIMITE HDP	
TOLERANCES UNLESS OTHERWISE SPECIFIED:		APVD -	SIZE A2	CAGE CODE 00779
0 PLC ± -	1 PLC ± -	PRODUCT SPEC -	DRAWING NO C-205204	RESTRICTED TO -
2 PLC ± -	3 PLC ± .005	APPLICATION SPEC -	SCALE NTS	SHEET 1 of 1
4 PLC ± -	ANGLES ± -	WEIGHT -	REV K3	
MATERIAL SEE NOTES	FINISH SHELLS: SEE TABLE	CUSTOMER DRAWING		