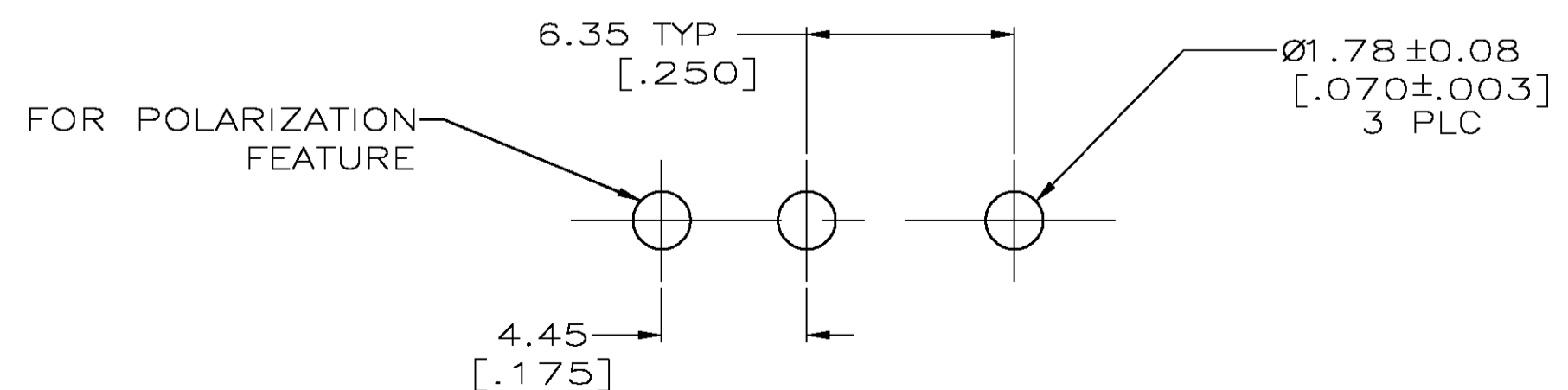
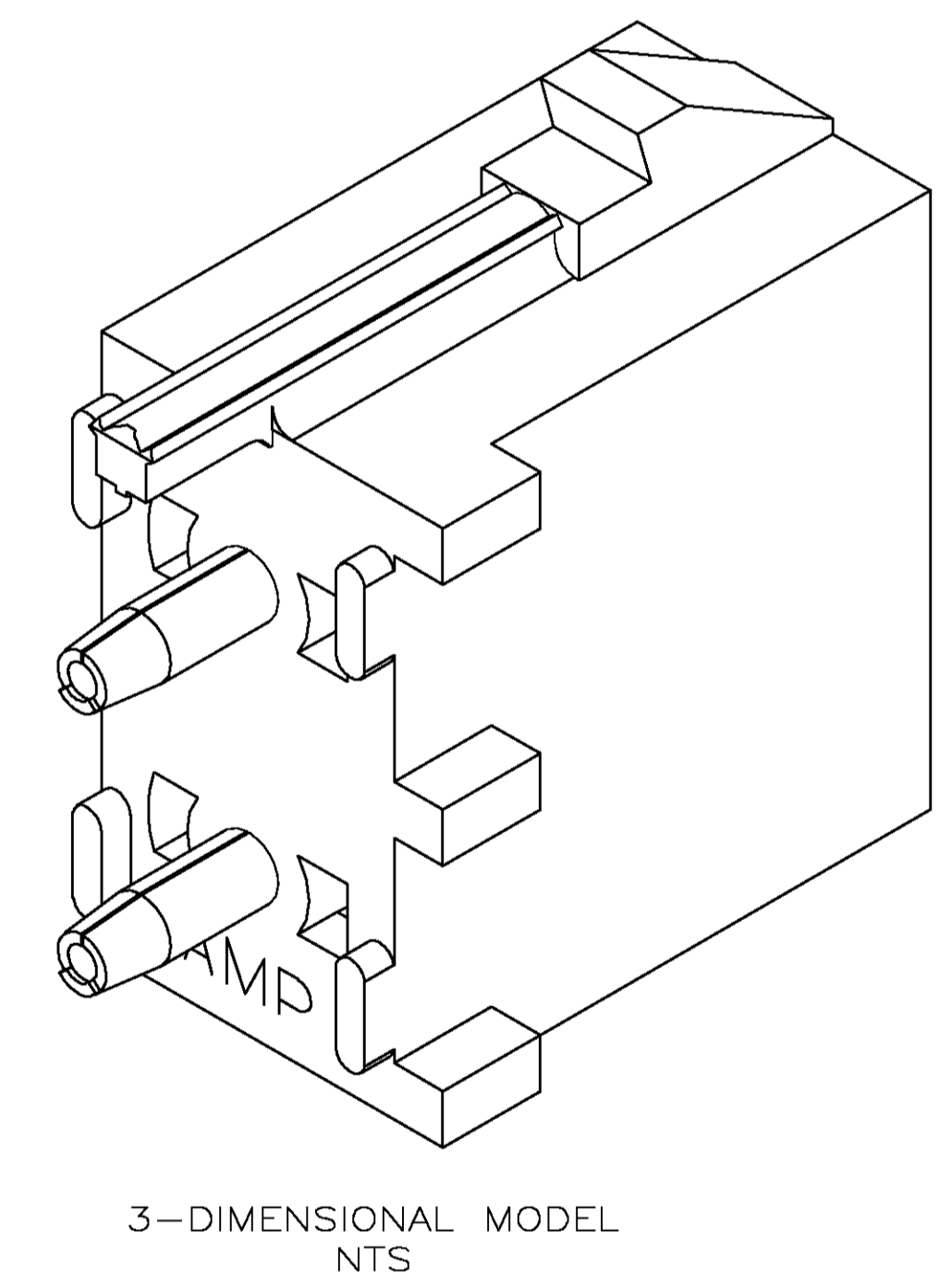
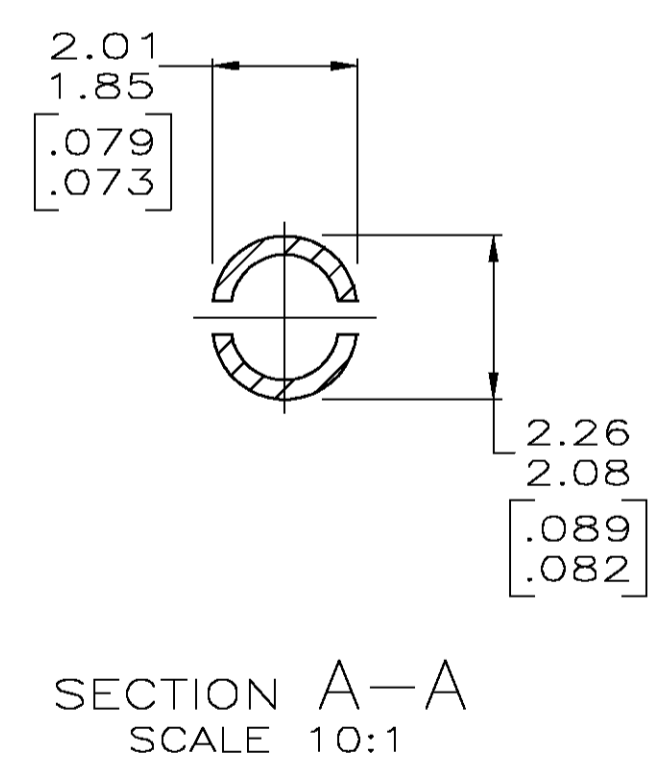
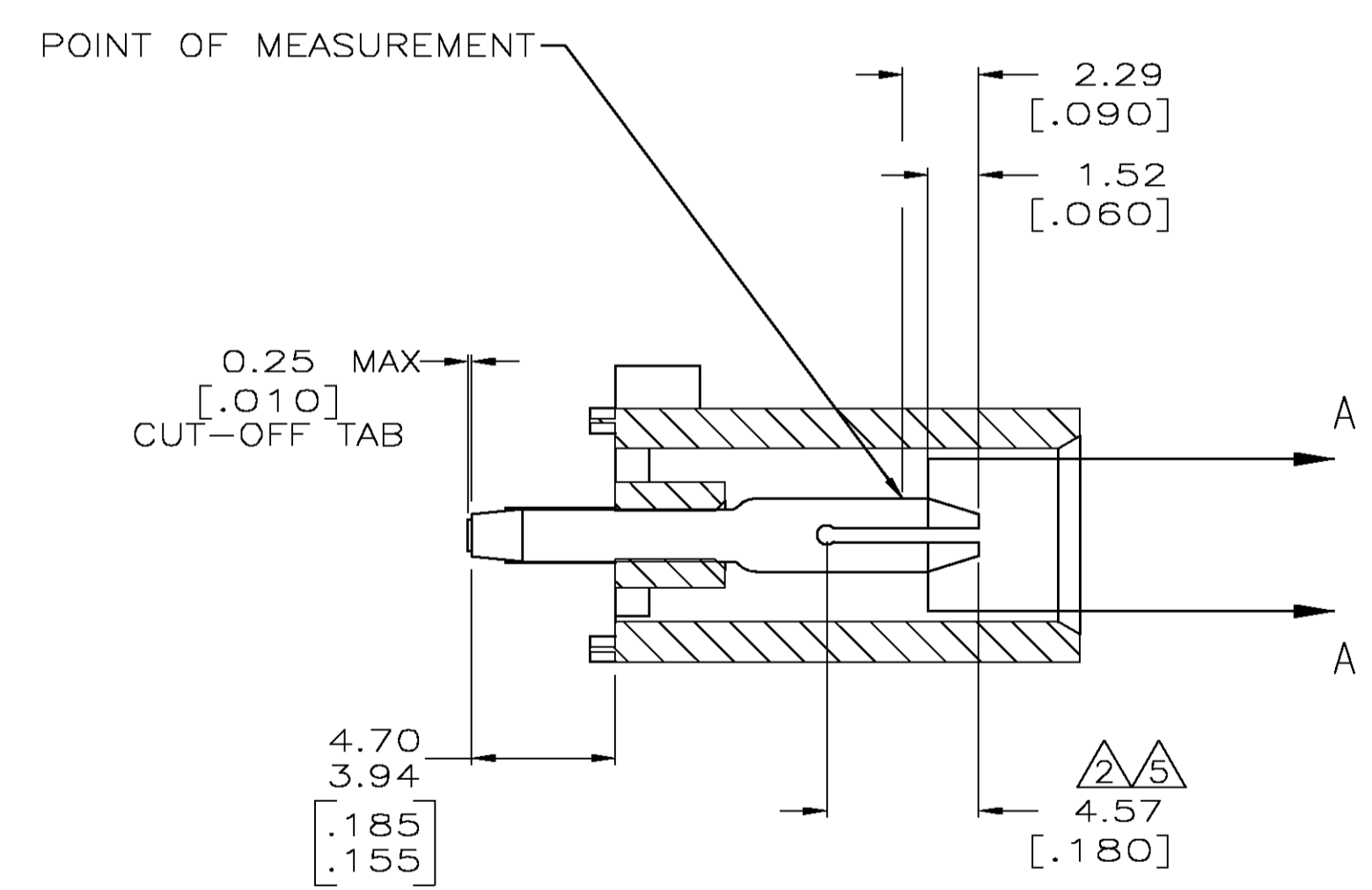
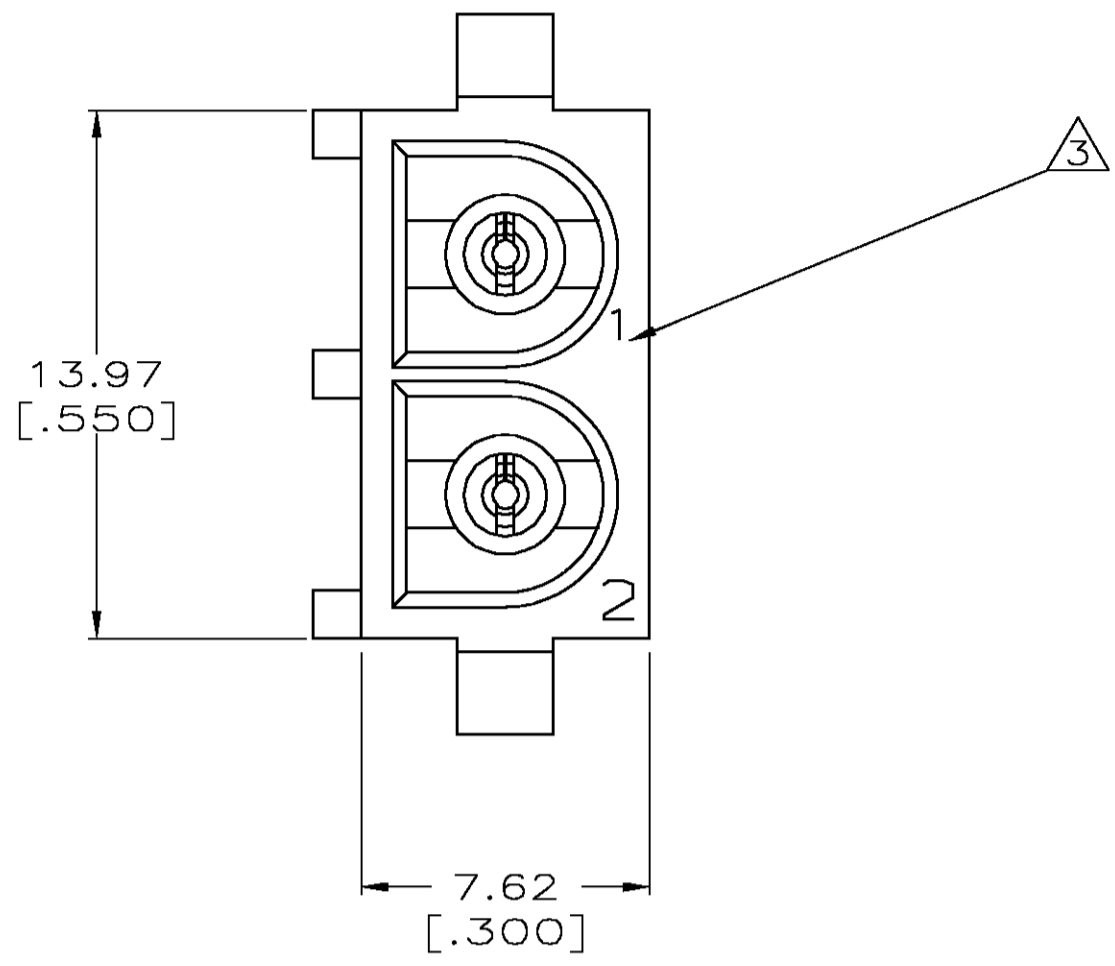
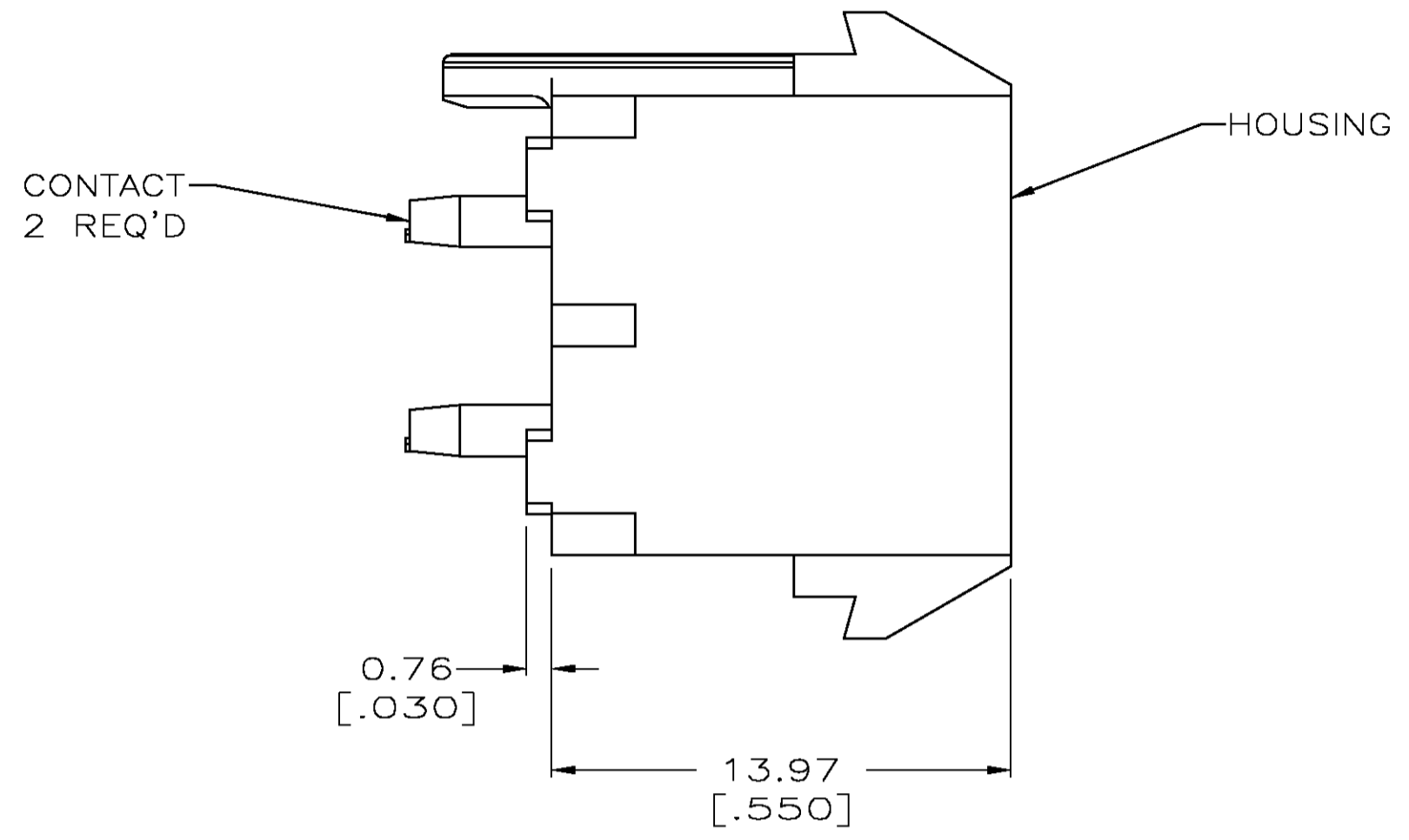
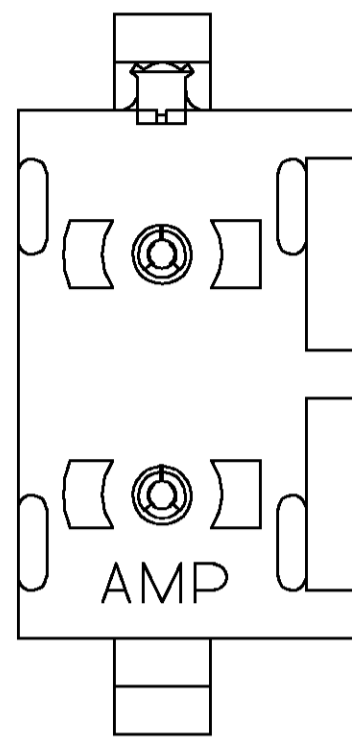


- PARTS COMPLY TO AMP SOLDERABILITY SPECIFICATION 109-11-3.
- CONTACT IS PLATED OVERALL WITH 0.00127[.000050] NICKEL, THEN 0.00076 [.000030] GOLD OVER CONTACT LENGTH INDICATED AND MATTE TIN LEAD ON SOLDER TAIL END.
- CIRCUIT IDENTIFICATION CHARACTERS ARE ADJACENT TO THE INDICATED CAVITIES, BUT LOCATION AND ORIENTATION MAY DIFFER FROM PRINT.
- DIMENSIONS IN BRACKETS ARE IN INCHES.
- CONTACT IS PLATED OVERALL WITH 0.00127[.000050] NICKEL, THEN 0.00076 [.000030] GOLD OVER CONTACT LENGTH INDICATED AND MATTE TIN ON SOLDER TAIL END.



PHOSPHOR BRONZE, GOLD	NYLON,UL94V-2,NATURAL	641963-3
PHOSPHOR BRONZE, GOLD	NYLON,UL94V-2,NATURAL	641963-2
PHOSPHOR BRONZE, PRE-TIN	NYLON,UL94V-2,NATURAL	641963-1
PIN CONTACT MATERIAL AND FINISH	HOUSING MATERIAL	PART NUMBER

METRIC

THIS DRAWING IS A CONTROLLED DOCUMENT.

DIMENSIONS: mm [INCHES]	TOLERANCES UNLESS OTHERWISE SPECIFIED:	APVD: K. COBLE	DATE: 07-JUN-2000	NAME: K. COBLE	PRODUCT SPEC: APPLICATION SPEC
0 PLC ± -	1 PLC ± -	2 PLC ± 0.13 [.005]	3 PLC ± -	4 PLC ± -	ANGLES ± - 0° 30'
MATERIAL: SEE TABLE	FINISH: SEE TABLE	WEIGHT: -	SIZE: A1	CAGE CODE: 00779	DRAWING NO: 641963
CUSTOMER DRAWING			SCALE: 5:1	SHEET: 1 OF 1	REV: K

DSN: L. McEACHIN 07-JAN-2000
 CHK: K. COBLE 07-JUN-2000
 Tyco Electronics Corporation
 Greensboro, NC 27409
 PIN HEADER ASSEMBLY, POLARIZED, 2 CIRCUIT, UNIVERSAL MATE-N-LOK™
 Tyco Electronics Corporation