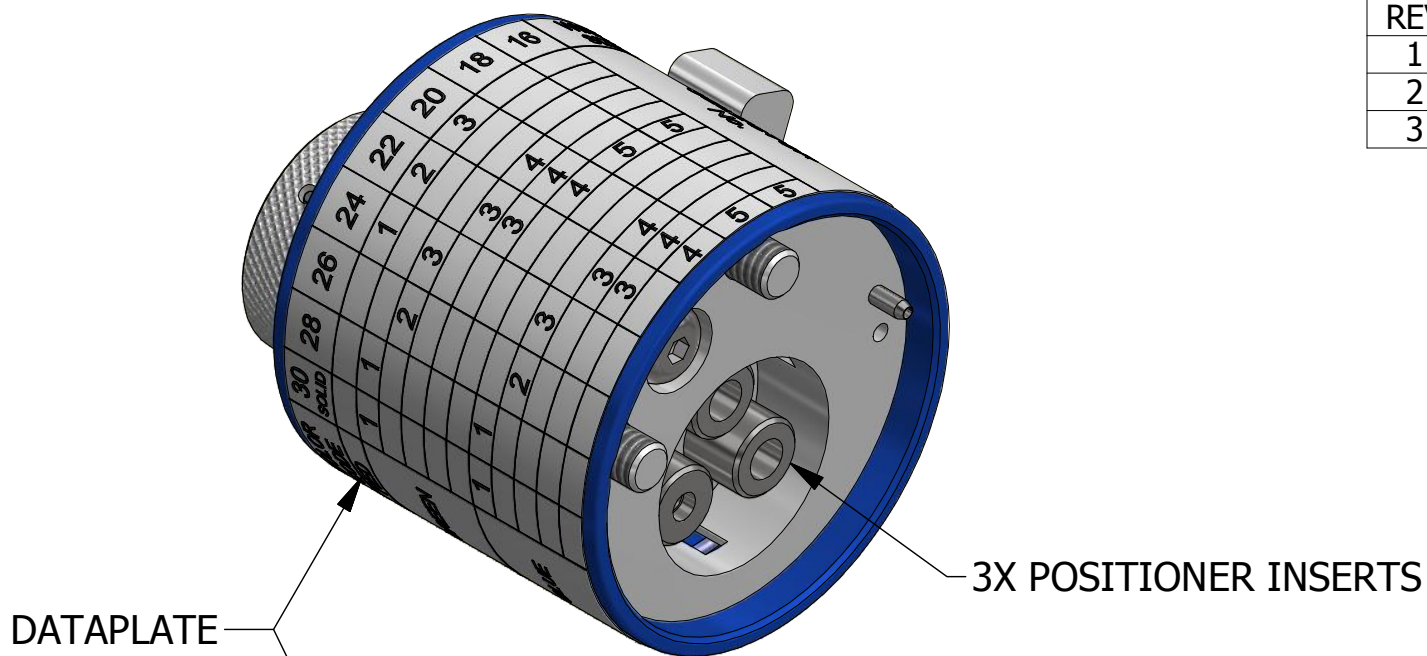


REVISIONS

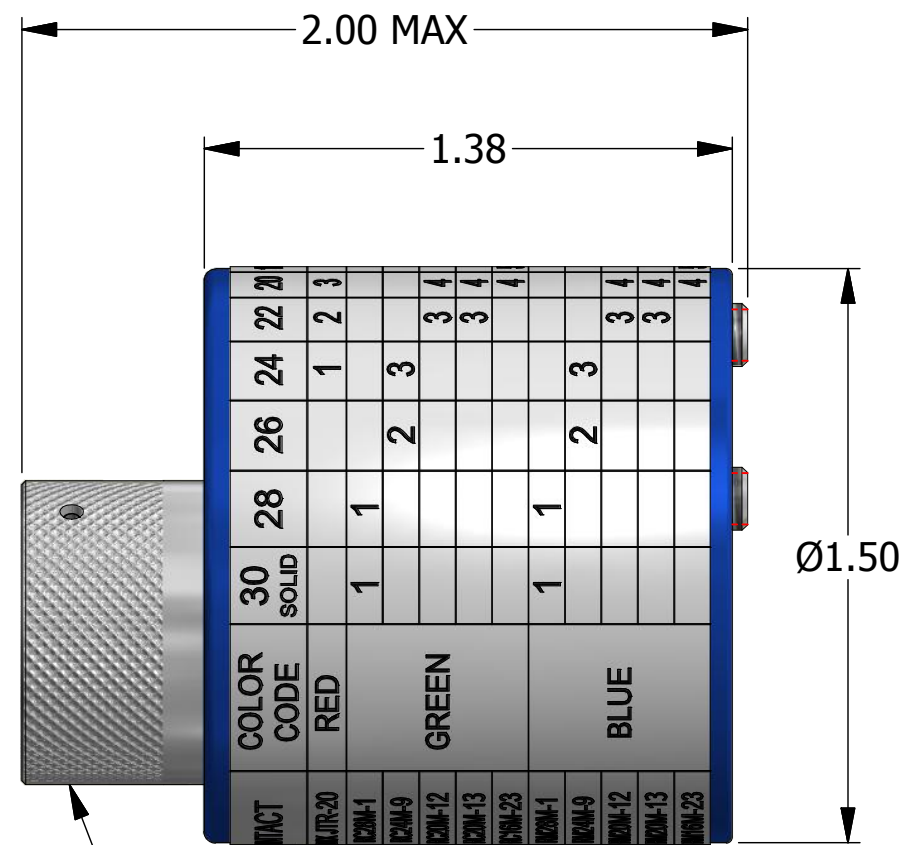
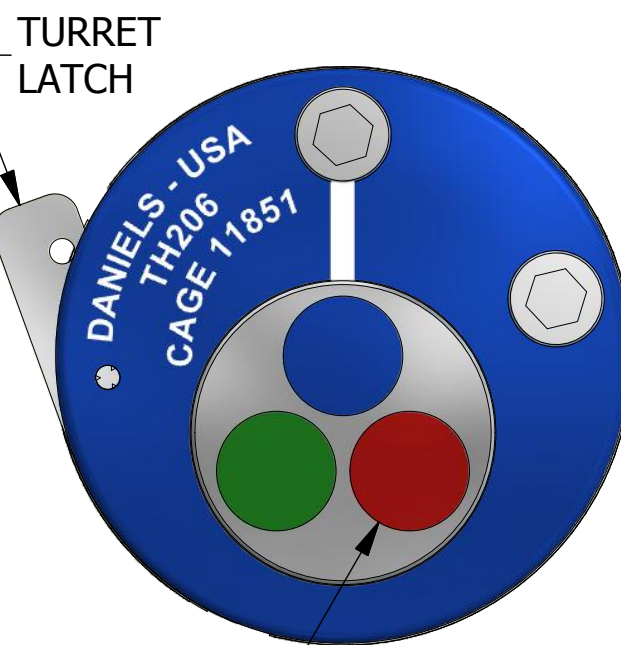
| REV | ECO NO. | DESCRIPTION              | BY       | DATE      | APP'D BY | DATE      |
|-----|---------|--------------------------|----------|-----------|----------|-----------|
| 1   |         | ORIGINAL RELEASE         | J. JOYCE | 3/24/2003 | RRR      | 3/24/2003 |
| 2   | 20755   | LOCATOR DIMENSION CHANGE | TonyD    | 1/8/2008  |          |           |
| 3   | 24679   | DATAPLATE CHANGE         | TonyD    | 4/3/2017  |          |           |

**UNCONTROLLED DOCUMENT  
WILL NOT BE UPDATED**

**DIMENSIONS IN INCHES - UNLESS OTHERWISE SPECIFIED**



| CONTACT        | COLOR CODE | 30 SOLID      | 28  | 26 | 24 | 22 | 20 | 18 | 16 | WIRE SIZE | SELECTOR No. |
|----------------|------------|---------------|-----|----|----|----|----|----|----|-----------|--------------|
|                |            | BENDIX JTR-20 | RED |    |    |    | 1  | 2  | 3  |           |              |
| SOURIAU/BURNDY | GREEN      | RC28M-1       | 1   | 1  |    |    |    |    |    |           |              |
|                |            | RC24M-9       |     |    | 2  | 3  |    |    |    |           |              |
|                |            | RC20M-12      |     |    |    |    | 3  | 4  |    |           |              |
|                |            | RC20M-13      |     |    |    |    | 3  | 4  |    |           |              |
|                |            | RC16M-23      |     |    |    |    |    | 4  | 5  | 5         |              |
| BLUE           | RM28M-1    | 1             | 1   |    |    |    |    |    |    |           |              |
|                | RM24M-9    |               |     | 2  | 3  |    |    |    |    |           |              |
|                | RM20M-12   |               |     |    |    | 3  | 4  |    |    |           |              |
|                | RM20M-13   |               |     |    |    | 3  | 4  |    |    |           |              |
|                | RM16M-23   |               |     |    |    |    | 4  | 5  | 5  |           |              |



| INSERT COLOR | HOLE DIMENSIONS | ADDITIONAL FEATURES                |
|--------------|-----------------|------------------------------------|
| BLUE         | Ø.091<br>▽THRU  | └┬┴┴┬┐<br>└┬┴┴┬┐<br>Ø.136<br>▽.355 |
| GREEN        | Ø.136<br>▽.415  |                                    |
| RED          | Ø.082<br>▽THRU  | └┬┴┴┬┐<br>└┬┴┴┬┐<br>Ø.096<br>▽.050 |

RANDOM ORDER OF ROTATION IS ACCEPTABLE FOR POSITIONER INSERTS

**RESTRICTED & CONFIDENTIAL**  
 CONFIDENTIAL PROPERTY OF DANIELS MANUFACTURING CORP. NOT TO BE DISCLOSED TO OTHERS. REPRODUCTION OR USED FOR ANY OTHER PURPOSE EXCEPT AS AUTHORIZED IN WRITING BY DANIELS MANUFACTURING. MUST BE RETURNED TO DANIELS MANUFACTURING CORP. ON COMPLETION OF ORDER OR PURPOSES FOR WHICH LENT.  
 CREATED FROM AN INVENTOR MODEL. CHANGES MUST BE REFLECTED IN THE 3D PART  
 DO NOT SCALE DRAWING

| MATERIAL   | ITEM  | PART NO.               | QTY.   | DESCRIPTION / REMARKS  |
|------------|---|------------------------|--|--|
| N/A        | DRN. J JOYCE<br>CHK'D.  | DATE 3/24/2003<br>DATE |  | <b>DMC</b> DANIELS MANUFACTURING CORP. ORLANDO, FLORIDA CAGE 11851 |
| HEAT TREAT | NOTE: THIS DRAWING IS AN OUTLINE DRAWING OF THE RESPECTIVE DMC PART NUMBER INDICATED. ACTUAL DMC PART NUMBER IS CAD PART NUMBER WITHOUT THE "-ENV" SUFFIX |                        | TITLE: TURRET HEAD ENVELOPE DRAWING<br>WHERE USED: AF8 |  |
| FINISH     | N/A   | SCALE: 2:1<br>SIZE: B  | CAD P/N: TH206-ENV<br>DWG. NO.: TH206                  | SHEET: 1 OF 1<br>REV.: 3   |

# Mouser Electronics

Authorized Distributor

Click to View Pricing, Inventory, Delivery & Lifecycle Information:

[Daniels Manufacturing:](#)

[TH206](#)